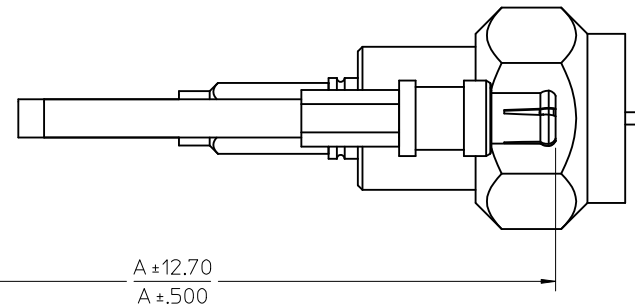
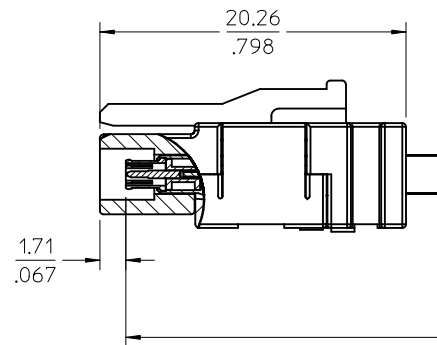
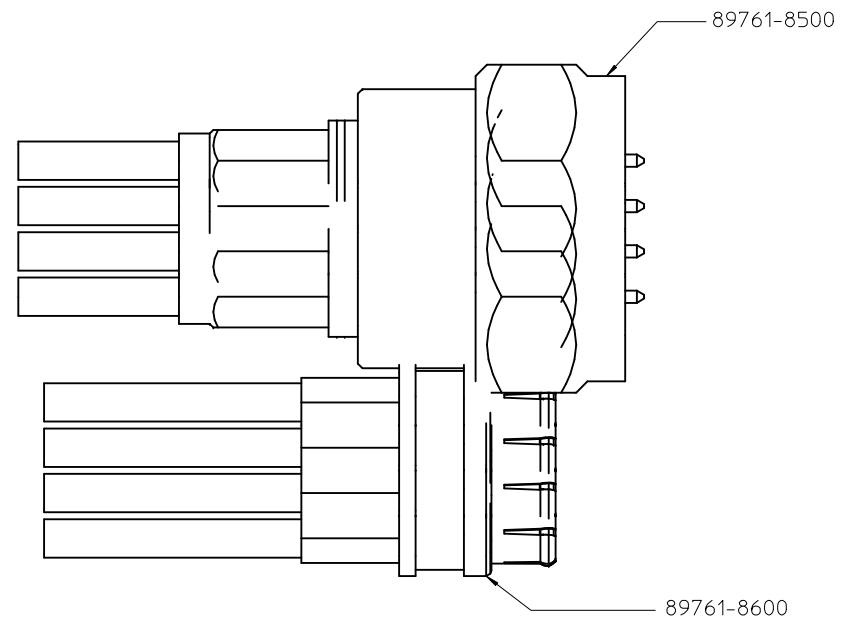
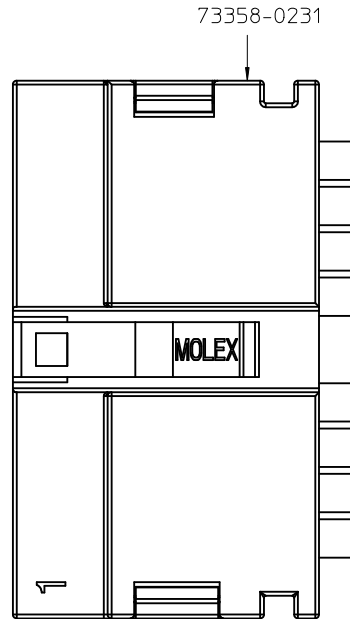


MATERIALS AND FINISHES

SSMCX TO F CABLE: SEE SD-89761-850

SSMCX TO MCX CABLE: SEE SD-89761-860

BLOCKS: SEE SD-73358-023



73358-0780	6.00	152.40
PART NO.	IN	MM
A		

CHG: RG179 WAS 179DT	EC NO: URF2011-0093	2010/08/12
	DRW:SSHAH	2010/08/12
REV	CHKD:SSS	2010/08/12
	APPR:JWIENER	2010/08/12

QUALITY SYMBOLS	▽=0
	▽=0

GENERAL TOLERANCES (UNLESS SPECIFIED)	mm	INCH
4 PLACES	± .005	± .0004
3 PLACES	± .003	± .0002
2 PLACES	± .002	± .0001
1 PLACE	± .001	± .00005
ANGULAR ± 2°		
DRAFT WHERE APPLICABLE MUST REMAIN WITHIN DIMENSIONS		

DIMENSION STYLE		MM/IN
DRAWN BY	DATE	
CHECKED BY	DATE	
APPROVED BY	DATE	
MATERIAL NO.	SEE TABLE	

SCALE	DESIGN UNITS	THIRD ANGLE PROJECTION
	INCH	
TITLE		
SSMCX P X8 TO F P X4 TO MCX P X4 RG179 CA-SSMCX, EWR-4263		
MOLEX INCORPORATED		
DOCUMENT NO.	SHEET NO.	
SD-73358-078	1 OF 1	
THIS DRAWING CONTAINS INFORMATION THAT IS PROPRIETARY TO MOLEX INCORPORATED AND SHOULD NOT BE USED WITHOUT WRITTEN PERMISSION		