

# MICRO SWITCH

FREERPORT ILLINOIS, U.S.A  
A DIVISION OF HONEYWELL

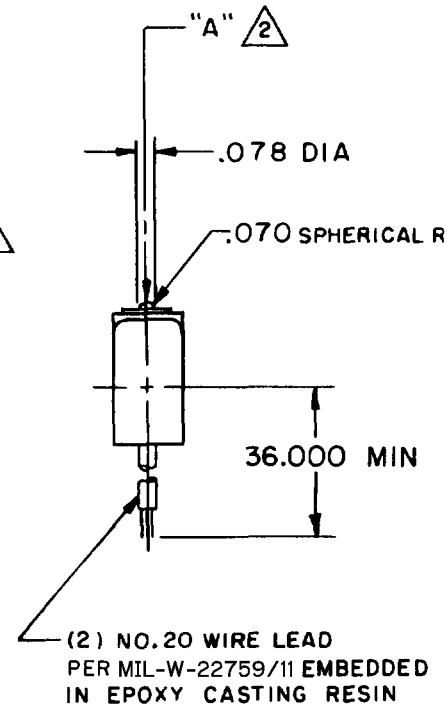
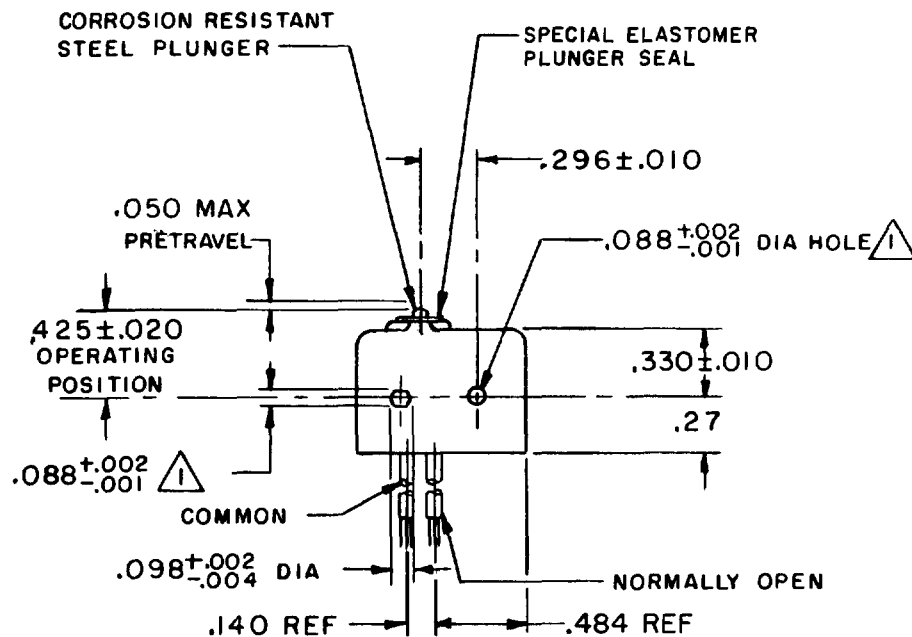
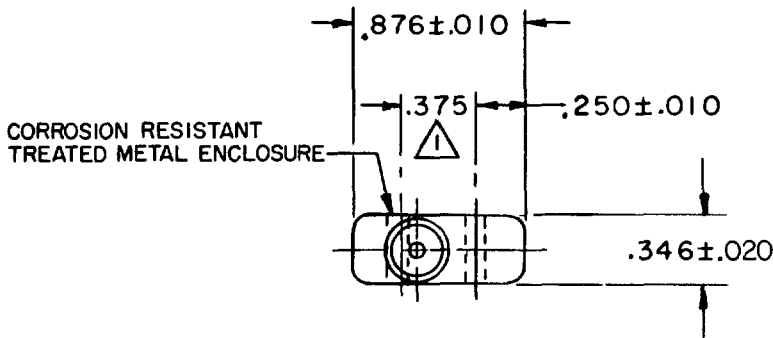
FED. MFG. CODE 91929

# SWITCH - BASIC

CATALOG LISTING  
**12SE3-3**

**12SE3-3**  
 PAGE 1 OF 1  
**M**  
 DRAWING NUMBER  
**88**  
 ISSUE  
**88**  
 REVISIONS  

A	CORR	26 JAN 70
B	PR-2195	12 OCT 71
C	CO-34213	26 SEPT 74
D	CO 51463-D	16 JUL 82
E	WJM CO 55430	6 JUN 84
F	CO57041A	21 MAR 85
G	CO94274	DLM MAR 99



- NOTE -
- 1 - MOUNTING HOLES WILL ACCEPT .087 MAX DIA PINS OR SCREWS ON .375 ± .002 CENTERS
  - 2 - ACTUATION IN LINE WITH ARROW "A" IS RECOMMENDED
  - 3 - WEIGHT OF SWITCH ONLY IS .26 OZ MAX, WEIGHT OF SWITCH WITH WIRE LEADS IS 1.000Z MAX
  - 4 - ESTABLISHED FOR CESSNA AIRCRAFT CO.

THIS DRAWING COVERS A PROPRIETARY ITEM AND IS THE PROPERTY OF MICRO SWITCH, A DIVISION OF HONEYWELL. THIS DRAWING IS NOT TO BE COPIED OR USED WITHOUT THE APPROVAL OF MICRO SWITCH.

### CHARACTERISTICS

OPERATING FORCE - - - - - 5-19 OZ  
 RELEASE FORCE - - - - - 4 OZ MIN  
 RELEASE TRAVEL - - - - - .004 MIN  
 DIFFERENTIAL TRAVEL - - - - .004 MAX  
 OVERTRAVEL - - - - - .003 MIN

### ELECTRICAL DATA

CONTACT ARRANGEMENT  
S P N O

250 VAC - - - - - 5 AMP  
 30 VOLTS DC RATING

INDUCTIVE - - - - - SEA LEVEL - - - - 3 AMP  
 50,000 FT - - - - - 2.5 AMP

RESISTIVE - - - - - SEA LEVEL - - - - 5 AMP  
 50,000 FT - - - - - 5 AMP

MAXIMUM INRUSH - - - - - 24 AMP

### SCALE FULL

DO NOT SCALE PRINT

UNLESS OTHERWISE NOTED  
DIMENSIONS ARE IN INCHES

**TOLERANCES ARE:**

ONE PLACE	(.0)	±.030
TWO PLACE	(.00)	±.015
THREE PLACE	(.000)	±.005
ANGLES		±

WEIGHT **3**

FORMTEK  
FO-50378-1A

REPLACES  
 RELEASE NO. PR-2195  
 CHECK  
 26 JAN 70  
 GCH  
 CHECK  
 26 JAN 70  
 DAW  
 CHECK  
 26 JAN 70  
 R E R  
 JAN 70  
 DRAWN