

MICRO SWITCH
a Honeywell Division

FED. MFG. CODE 91929

SWITCH-UNIT

CATALOG LISTING

15PA266

15PA266

M

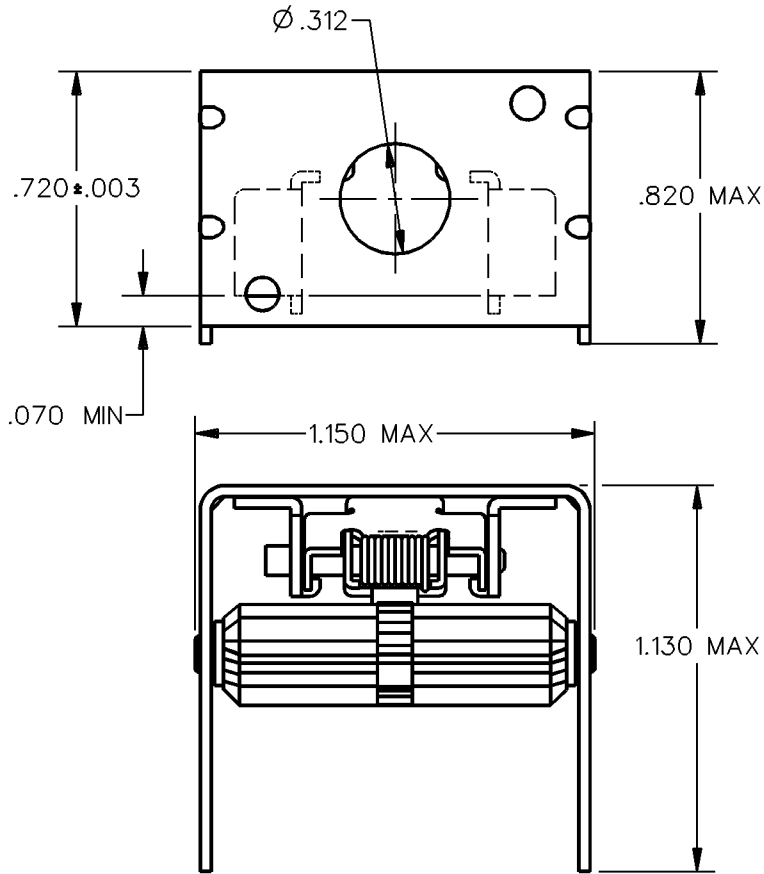
DRAWING
NUMBER

2

ISSUE

RELEASE NO. PR-18754-T REPLACES

ALTERNATE ACTION



REVISIONS

A CO
69850
J A P
11 MAR 91

CHECK

CHECK

DEC 90

DEC 90

DEC 90

DEC 90

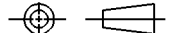
DEC 90

DEC 90

DEC 90

THIS DRAWING COVERS A PROPRIETARY ITEM AND IS THE PROPERTY OF MICRO SWITCH, A DIVISION OF HONEYWELL. THIS DRAWING IS NOT TO BE COPIED OR USED WITHOUT THE APPROVAL OF MICRO SWITCH.

THIRD ANGLE PROJECTION



CHARACTERISTICS

ELECTRICAL DATA

SCALE 2 TO 1

DO NOT
SCALE PRINT

CONTACT ARRANGEMENT

**UNLESS OTHERWISE SPECIFIED
TOLERANCES ARE**

ONE PLACE (.0) ±.030

TWO PLACE (.00) ±.015

THREE PLACE (.000) ±.005

ANGLES ±

WEIGHT

DDM/CAD
DRAWN

DRAWN

J A P 17 DEC 90