

# HONEYWELL

## 1CH106-6

*See full Datasheet below...*

**onlinecomponents.com**  
THE ONLINE DISTRIBUTOR OF ELECTRONIC COMPONENTS

**BUY NOW**

 **MASTER**<sup>TM</sup>  
ELECTRONICS

**BUY NOW**

masterelectronics.com & onlinecomponents.com  
are **authorized** e-commerce distributors  
of electronic components.

**MICRO SWITCH**  
a Honeywell Division

FED. MFG. CODE 91929

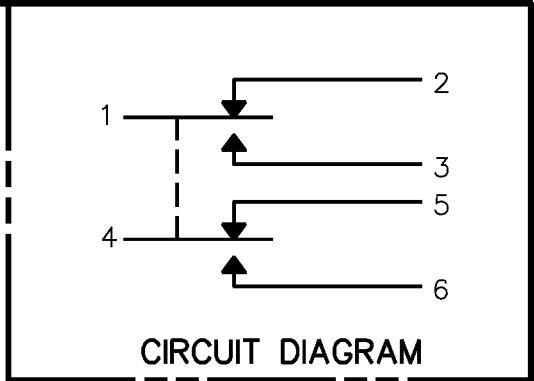
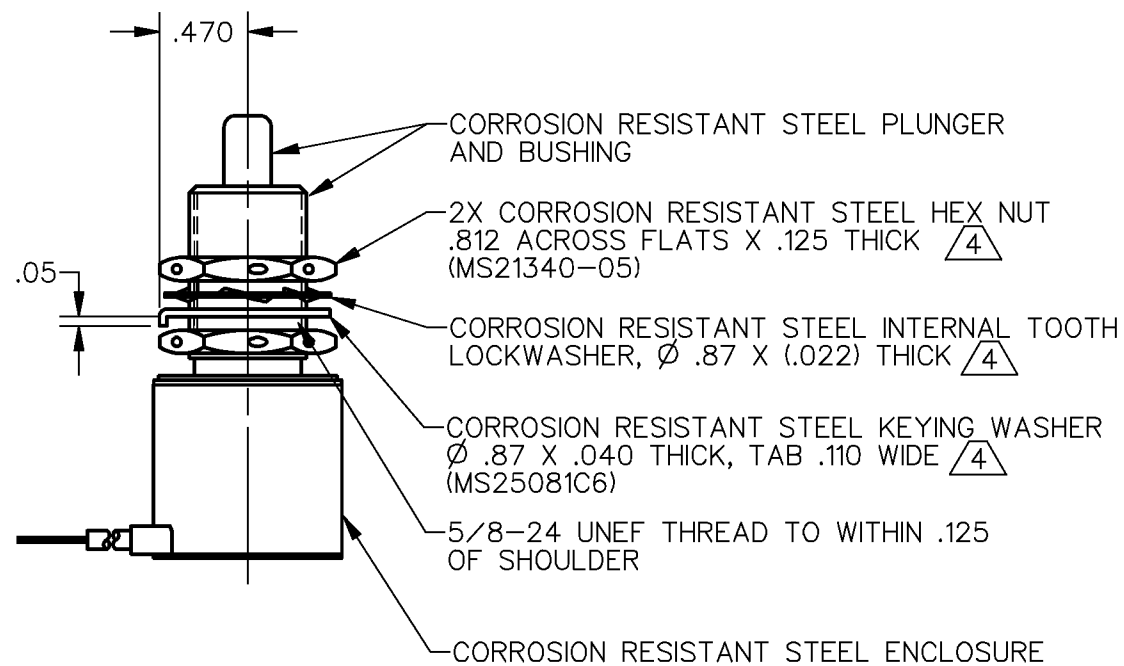
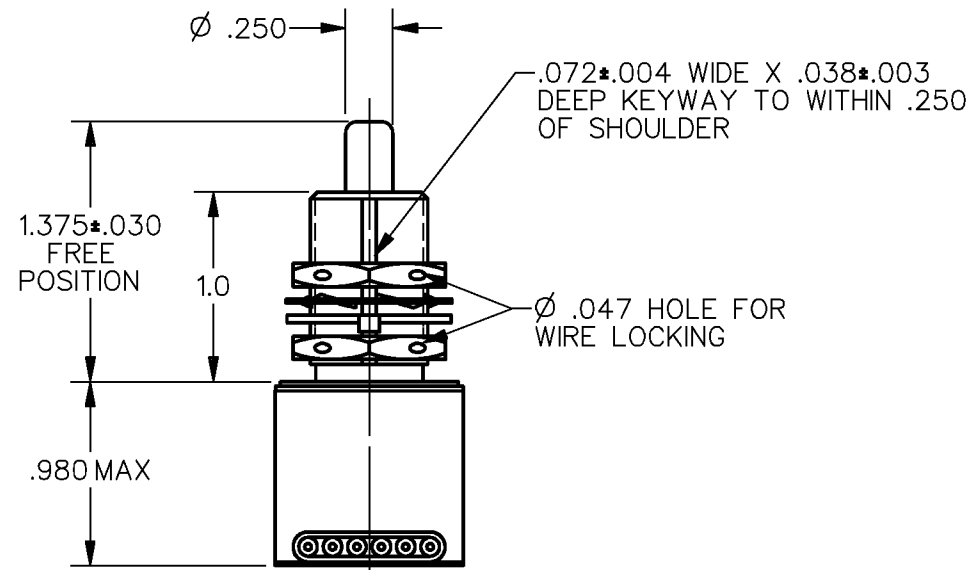
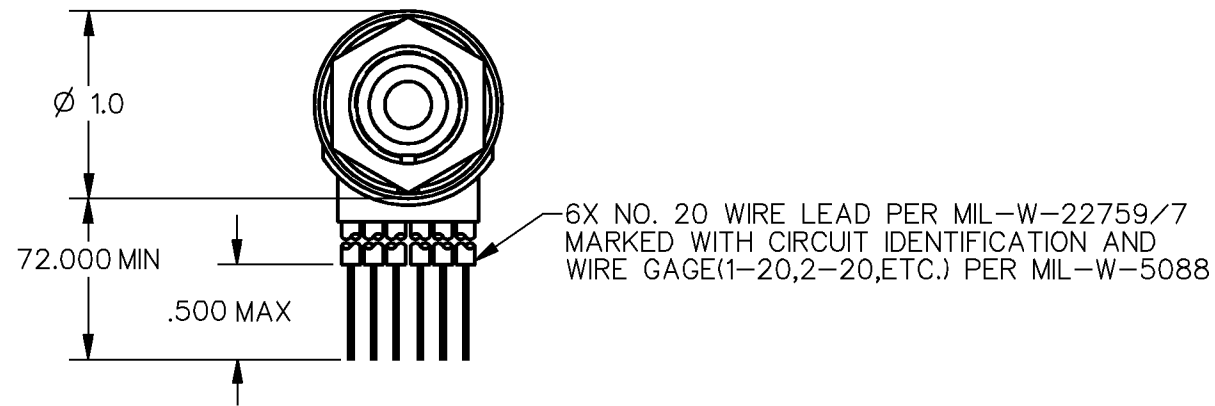
SWITCH - ENCLOSED

CATALOG LISTING  
1CH106-6

CATALOG LISTING  
1CH106-6  
PAGE 1 OF 1  
ISSUE  
11

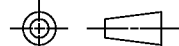
| REVISIONS                       | CHECK |
|---------------------------------|-------|
| A 77504-A<br>S A V<br>14 MAR 94 |       |
| B 75787-C<br>S M<br>26 MAY 94   |       |
| C C092293<br>J A K<br>5 FEB 98  |       |
| D C094194<br>D L T<br>4 MAR 99  |       |
| E 201294<br>C S T<br>27 SEP 00  |       |

RASTER  
DRAWN  
S A V 14 MAR 94



THIS DRAWING COVERS A PROPRIETARY ITEM AND IS THE PROPERTY OF MICRO SWITCH, A DIVISION OF HONEYWELL. THIS DRAWING IS NOT TO BE COPIED OR USED WITHOUT THE APPROVAL OF MICRO SWITCH

THIRD ANGLE PROJECTION



| CHARACTERISTICS                     | ELECTRICAL DATA                |           |            |
|-------------------------------------|--------------------------------|-----------|------------|
| OPERATING FORCE ----- 6-12 LB       | CONTACT ARRANGEMENT<br>2X SPDT |           |            |
| FULL OVERTRAVEL FORCE --- 30 LB MAX |                                |           |            |
| RELEASE FORCE ----- 4 LB MIN        | LOAD                           |           |            |
| PRETRAVEL ----- .040 MAX            |                                | 28 VDC    |            |
| DIFFERENTIAL TRAVEL --- .020 MAX    |                                | SEA LEVEL | 50,000 FT. |
| OVERTRAVEL ----- .250 MIN           |                                | RES       | 4          |
|                                     | IND                            | 2         |            |
|                                     | MOTOR                          | 4         |            |

| SCALE                                     | DO NOT SCALE PRINT |
|---|--------------------|
| FULL                                      |                    |
| UNLESS OTHERWISE SPECIFIED TOLERANCES ARE |                    |
| ONE PLACE (.0)                            | ±.030              |
| TWO PLACE (.00)                           | ±.015              |
| THREE PLACE (.000)                        | ±.005              |
| ANGLES                                    | ±                  |
| WEIGHT                                    | 7.0 OZ MAX         |

NOTES

- SWITCH SEALED PER MIL-PRF-8805, SYMBOL 3
- MICRO SWITCH IDENTIFICATION, CIRCUIT DIAGRAM, CATALOG LISTING, FED. MFG. CODE AND DATE CODE ARE PERMANENTLY MARKED ON SIDE OF HOUSING
- COINCIDENCE OF OPERATING AND RELEASING POINTS: .010 OF PLUNGER TRAVEL
- HARDWARE MAY BE PACKAGED UNASSEMBLED PER MIL-PRF-8805

ANSI Y14.5M-1982 APPLIES