

HONEYWELL

1CH118-B

See full Datasheet below...

onlinecomponents.com
THE ONLINE DISTRIBUTOR OF ELECTRONIC COMPONENTS

BUY NOW

 **MASTER**TM
ELECTRONICS

BUY NOW

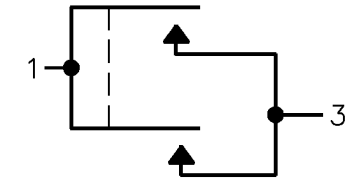
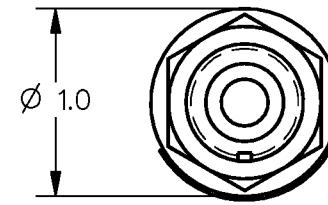
masterelectronics.com & onlinecomponents.com
are **authorized** e-commerce distributors
of electronic components.

MICRO SWITCH
a Honeywell Division

FED. MFG. CODE 91929

SWITCH-ENCLOSED

CATALOG LISTING
1CH118-B



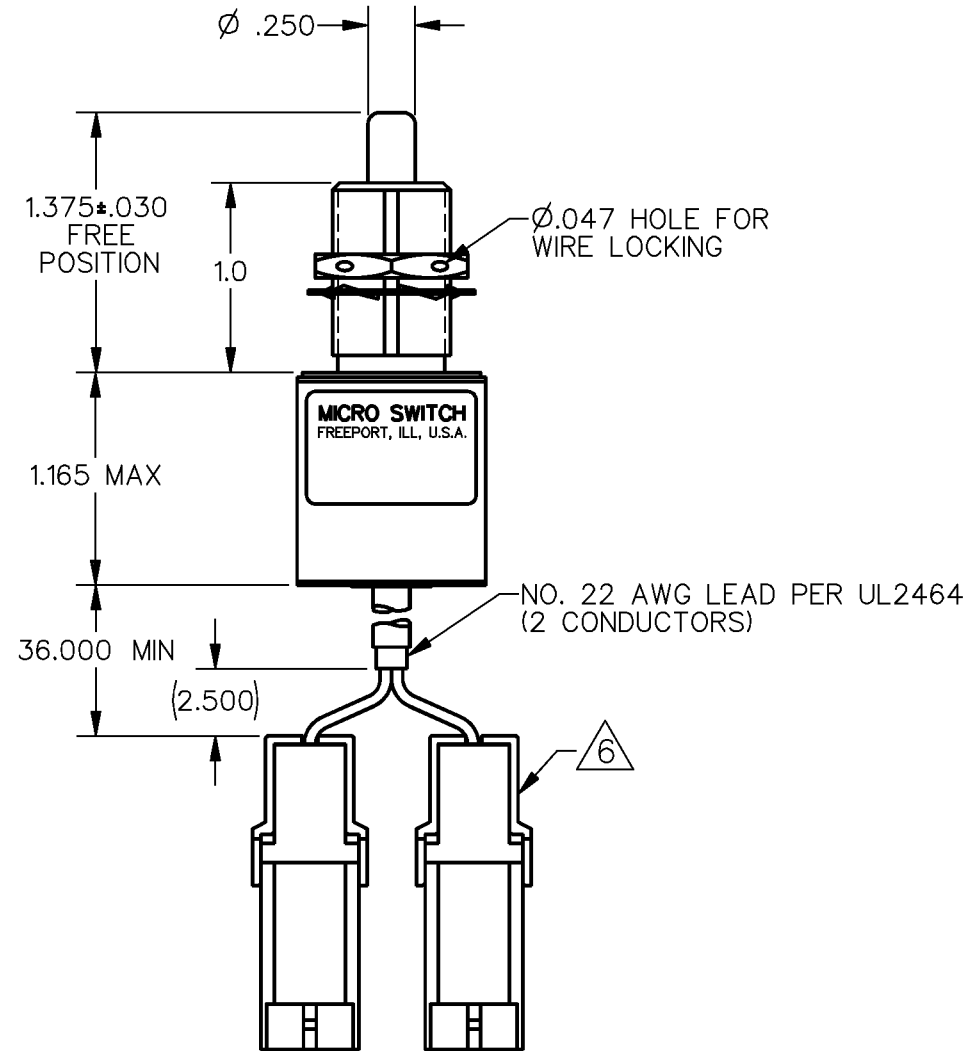
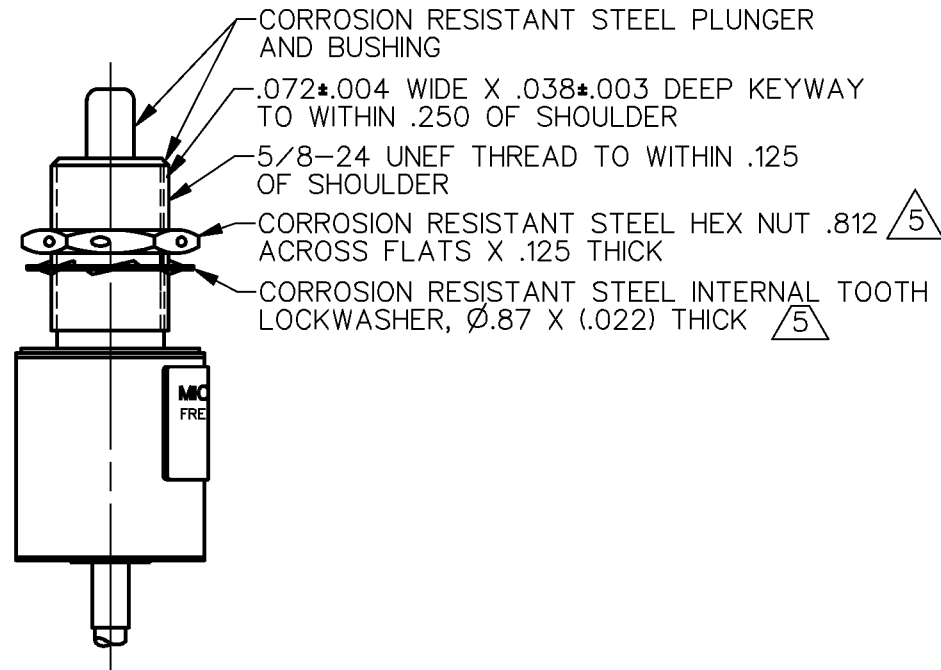
CIRCUIT DIAGRAM

CATALOG LISTING
1CH118-B
PAGE 1 OF 1

ISSUE
M
5

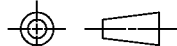
REVISIONS
A PR-21261 TSM 29 AUG 94
B CO-79222 TSM 28 NOV 94
C CO-80214 SAD 31 MAR 95
D CO-93970 S A V 14 JAN 99

RELEASE NO. PR-21261
CHECK
D A W 31 AUG 94
CHECK
D A W 31 AUG 94
DRAWN
T S M 29 AUG 94



THIS DRAWING COVERS A PROPRIETARY ITEM AND IS THE PROPERTY OF MICRO SWITCH, A DIVISION OF HONEYWELL. THIS DRAWING IS NOT TO BE COPIED OR USED WITHOUT THE APPROVAL OF MICRO SWITCH

THIRD ANGLE PROJECTION



CHARACTERISTICS	
OPERATING FORCE	6-12 LB
FULL OVERTRAVEL FORCE	30 LB MAX
RELEASE FORCE	4 LB MIN
PRETRAVEL	.040 MAX
DIFFERENTIAL TRAVEL	.020 MAX
OVERTRAVEL	.250 MIN

ELECTRICAL DATA		
CONTACT ARRANGEMENT S P S T		
28 VDC		
LOAD	SEA LEVEL	50,000 FT.
RES	4	
IND	2	
MOTOR	4	

SCALE FULL	
DO NOT SCALE PRINT	
UNLESS OTHERWISE SPECIFIED TOLERANCES ARE	
ONE PLACE	(.0) ±.030
TWO PLACE	(.00) ±.015
THREE PLACE	(.000) ±.005
ANGLES	±
WEIGHT	7.5 OZ MAX

NOTES

- 1 - CORROSION RESISTANT STEEL ENCLOSURE
 - 2 - SWITCH SEALED PER MIL-S-8805 SYMBOL 3
 - 3 - CIRCUIT DIAGRAM, DATE CODE, FED. MFG. CODE AND CATALOG LISTING ARE SHOWN ON NAMEPLATE
 - 4 - COINCIDENCE OF OPERATING AND RELEASING POINTS: .010 OF PLUNGER TRAVEL
 - $\triangle 5$ HARDWARE MAY BE PACKAGED UNASSEMBLED PER MIL-S-8805
 - $\triangle 6$ PACKARD ELECTRIC HOUSING PART NUMBER 12010996; TERMINAL PART NUMBER 12089307; SEAL PART NUMBER 12015899
 - $\triangle 7$ NUMBERS ARE FOR REFERENCE ONLY AND ARE NOT MARKED ON WIRES OR CONNECTOR HOUSINGS
- ANSI Y14.5M-1982 APPLIES