

HONEYWELL

1CH27

See full Datasheet below...

onlinecomponents.com
THE ONLINE DISTRIBUTOR OF ELECTRONIC COMPONENTS

BUY NOW

 **MASTER**TM
E L E C T R O N I C S

BUY NOW

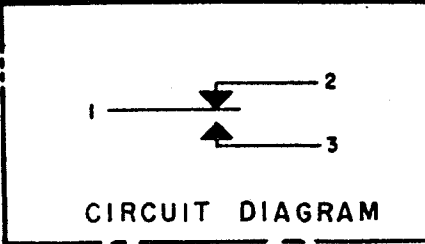
masterelectronics.com & onlinecomponents.com
are **authorized** e-commerce distributors
of electronic components.

MICRO SWITCH

A DIVISION OF MINNEAPOLIS-HONEYWELL REGULATOR COMPANY
PRAIRIE, ILLINOIS
FED. MFR. CODE 91929

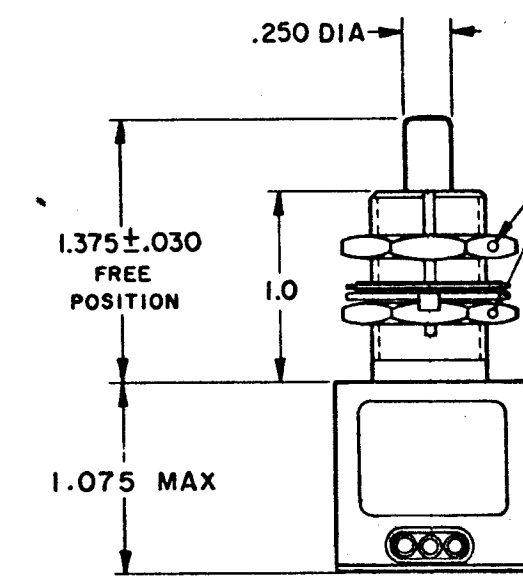
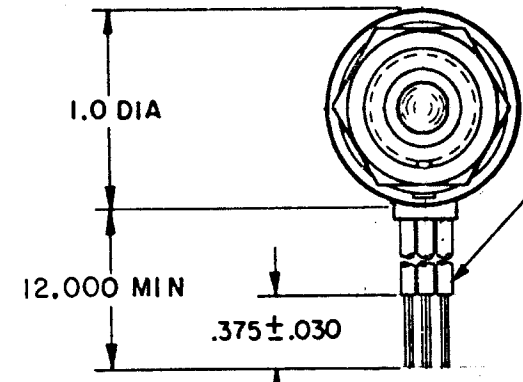
SWITCH - ENCLOSED

CATALOG LISTING
1CH27



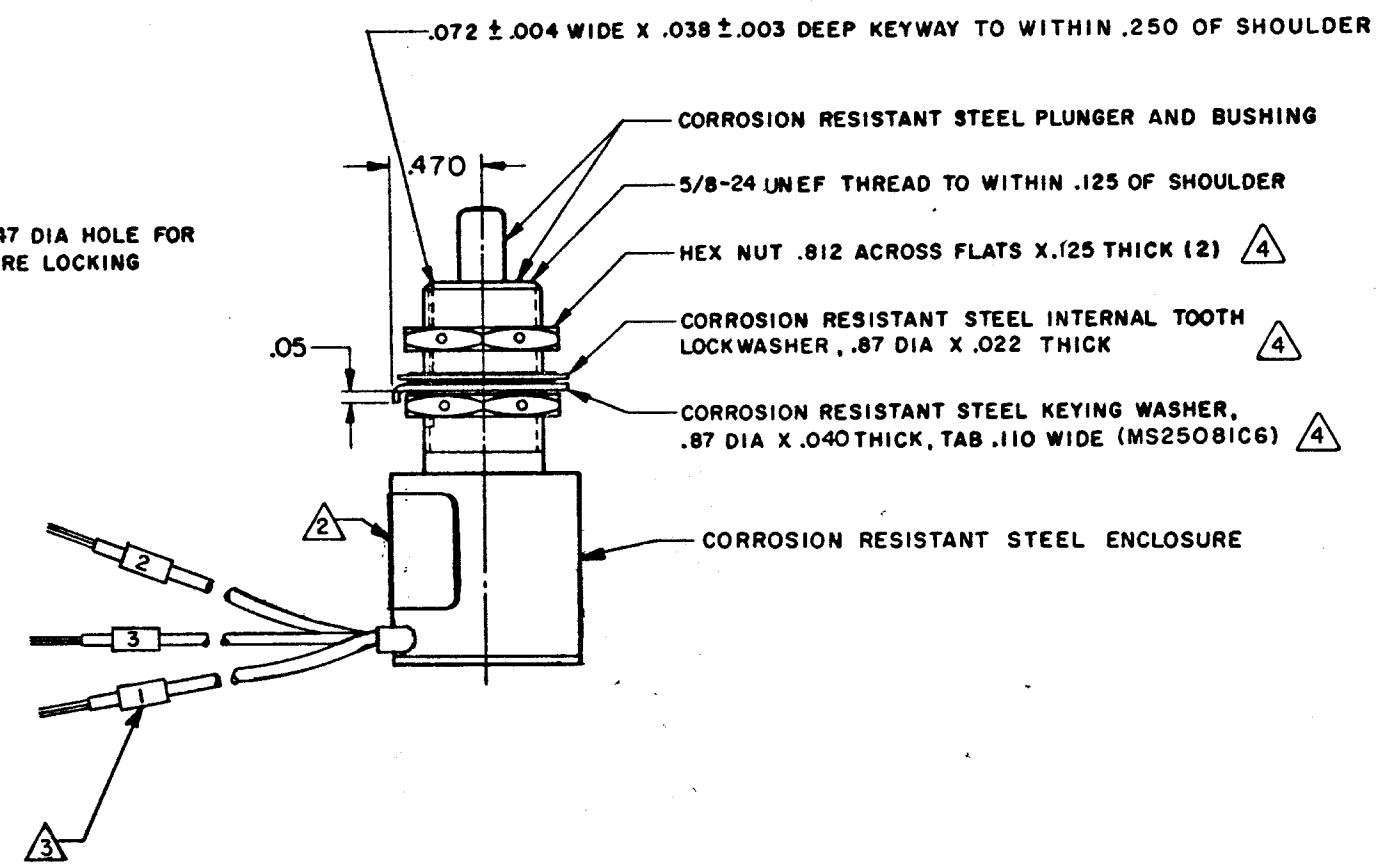
1CH27
 M
 DRAWING NUMBER
 ISSUE 16
 REVISIONS
 A CORR 26 OCT 64
 B SR 11783 27 NOV 64
 C CO20147 5 AUG 65
 D CO22953 1 NOV 67
 E CO26351 16 SEP 69
 F CO32118 16 OCT 73
 G CO33906 1 NOV 74
 H CO34722 7 JAN 75
 J CO44351 9 JAN 79
 K CO47573 24 JUL 80
 L CO57094 28 MAR 85
 FO-80378.003
 DRAWN
 MBF 5 OCT 62
 CHECK
 DAW
 B, OCT 62
 CHECK
 GDN
 B, OCT 62
 CHECK
 JSR
 B, OCT 62
 CHECK
 SR
 11783
 RELEASE NO. SR 11783

M CO57370
 TSK
 16 MAY 85
 N CO63259
 TSK
 15 APR 88
 P CO74101
 DAW
 8 FEB 93
 R CO-77504-C
 DLT
 26 JUL 94



(3) 14 GAUGE ORDNANCE WIRE (NO. 7720853) MI3486/1-5

.047 DIA HOLE FOR WIRE LOCKING



NOTES

- 1 - SWITCH SEALED PER MIL-S-8805 SYMBOL 3
- 2 MICRO IDENTIFICATION, CATALOG LISTING, CIRCUIT DIAGRAM AND DATE CODE ARE SHOWN ON NAMEPLATE
- 3 LEAD WIRES APPROPRIATELY MARKED TO SHOW CIRCUIT IDENT.
- 4 HARDWARE MAY BE PACKAGED UNASSEMBLED PER MIL-S-8805

THIS DRAWING COVERS A PROPRIETARY ITEM AND IS THE PROPERTY OF MICRO SWITCH, A DIVISION OF MINNEAPOLIS-HONEYWELL REGULATOR CO. THIS DRAWING IS NOT TO BE COPIED OR USED WITHOUT THE APPROVAL OF MICRO SWITCH.

CHARACTERISTICS		ELECTRICAL DATA		SCALE FULL	
OPERATING FORCE	6-12 LB	CONTACT ARRANGEMENT		DO NOT SCALE PRINT	
FULL OVERTRAVEL FORCE	30 LB MAX	S P D T		UNLESS OTHERWISE SPECIFIED DIMENSIONS ARE IN INCHES	
RELEASE FORCE	4 LB MIN	LOAD	28 VDC		TOLERANCES ARE
PRETRAVEL	.040 MAX		SEA LEVEL	50,000 FT.	
DIFFERENTIAL TRAVEL	.020 MAX	RES	4	4	ONE PLACE (.0) 2.030
OVERTRAVEL	.250 MIN	IND	2	2	TWO PLACE (.00) 2.015
		MOTOR	4		THREE PLACE (.000) 2.005
					ANGLES 2
					WEIGHT