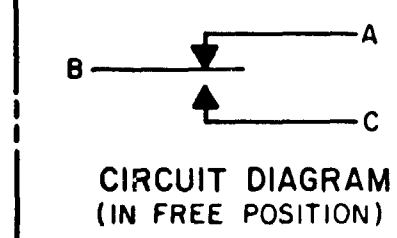


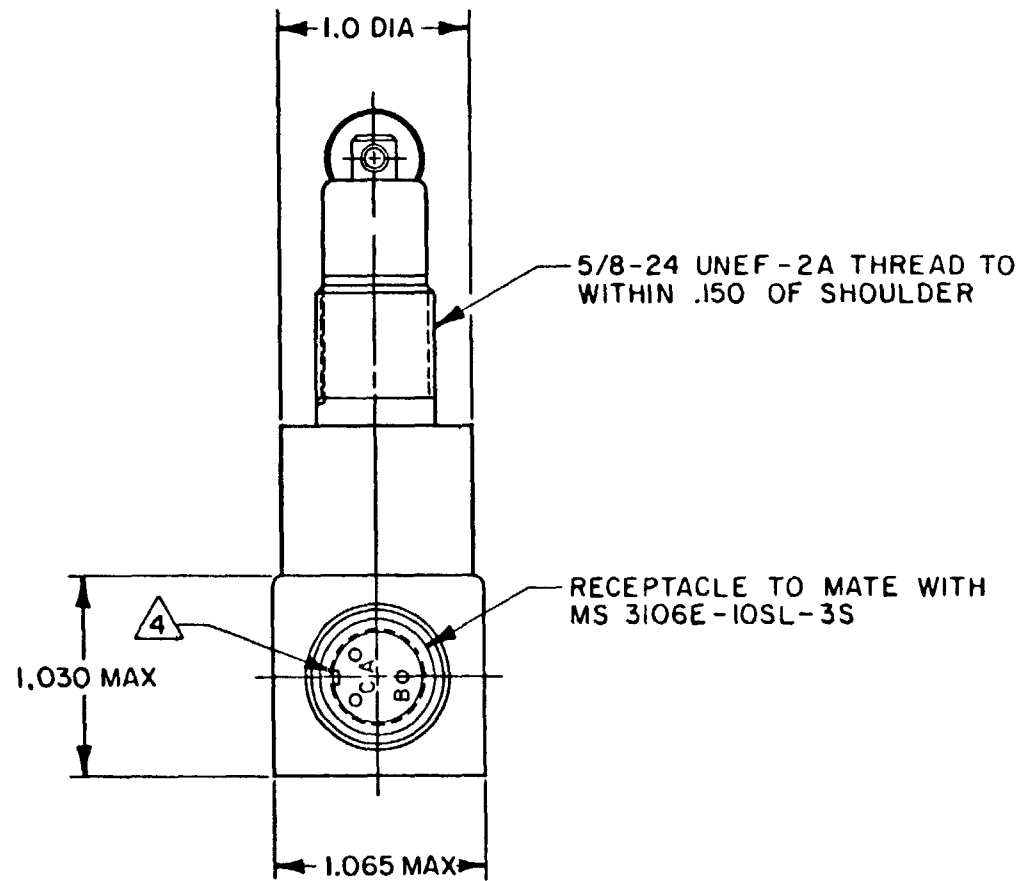
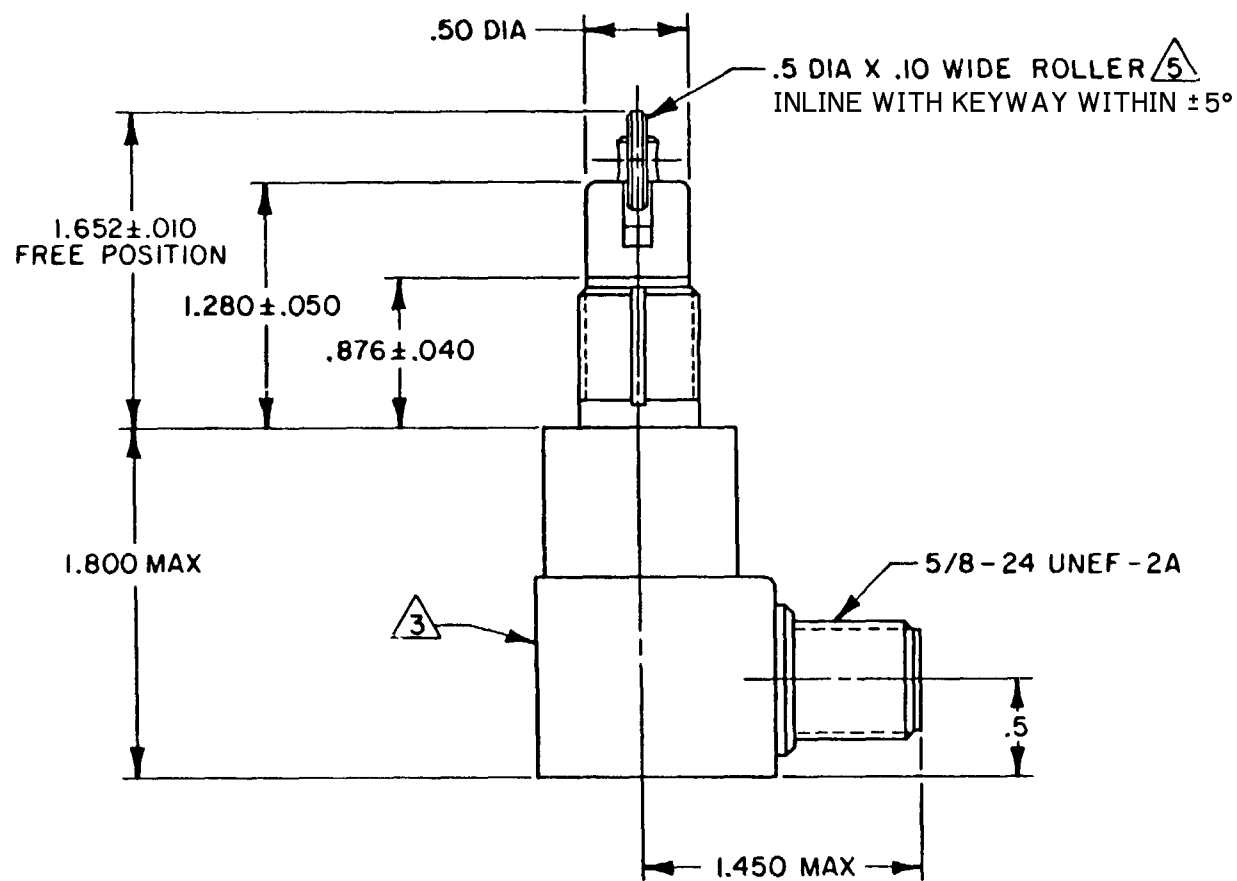
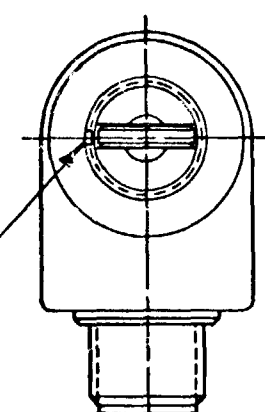
**MICRO SWITCH**  
 FREEPORT ILLINOIS U.S.A.  
 A DIVISION OF HONEYWELL  
 FED. MFG. CODE 91929

**SWITCH-ENCLOSED**

CATALOG LISTING  
**221EN502-R**



**.072±.004 WIDE X .038+.003  
 DEEP KEYWAY TO WITHIN  
 .125 OF SHOULDER**

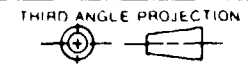


**NOTES**

- 1 - ALL EXPOSED PARTS ARE CORROSION RESISTANT
- 2 - SWITCH SEALED PER MIL-S-8805 SYMBOL 4
- 3 - CATALOG LISTING, CIRCUIT DIAGRAM AND MICRO IDENTIFICATION PERMANENTLY MARKED ON SIDE OF SWITCH
- 4 - RECEPTACLE POLARIZING KEY POSITION
- 5 - ROLLER WILL ROTATE FREELY
- 6 - PLUNGER SEAL MATERIAL - E.P. RUBBER
- 7 - NOTED ELECTRICAL RATING APPLY AS SPECIFIED IN MIL-S-8805/40-1 UP TO 185°F

**221EN502-R**  
**M**  
 DRAWING NUMBER  
 ISSUE 3  
 REVISIONS  
 A PR 11891 R J H 24 JAN 83  
 B COB4515 DLT 19 MAR 97  
 FORMTEK FO-52851-A  
 DRAWN R J H 24 JAN 83  
 CHECK C E B 26 JAN 83  
 CHECK C E B 26 JAN 83  
 RELEASE NO. PR-11891  
 REPLACES

THIS DRAWING COVERS A PROPRIETARY ITEM AND IS THE PROPERTY OF MICRO SWITCH, A DIVISION OF HONEYWELL. THIS DRAWING IS NOT TO BE COPIED OR USED WITHOUT THE APPROVAL OF MICRO SWITCH.



SCALE FULL  
 DO NOT SCALE PRINT

CHARACTERISTICS	
OPERATING FORCE-----	3- 6 LB
FULL OVERTRAVEL FORCE-----	7 LB MAX
RELEASE FORCE-----	1 LB MIN
PRETRAVEL-----	.040 MAX
DIFFERENTIAL TRAVEL-----	.020 MAX
OVERTRAVEL-----	.250 MIN

ELECTRICAL DATA		
CONTACT ARRANGEMENT SEE CIRCUIT DIAGRAM		
LOAD	28 VDC	
	SEA LEVEL	50,000 FT
RES	4	4
IND	2	2
MOTOR	4	
LAMP		

TOLERANCES			
APPLY TO DESIGN UNITS. CONVERSIONS ARE ONLY FOR REFERENCE UNLESS NOTED. TOLERANCES ARE 2			
DIM.	TOL.	DIM.	TOL.
IN	MILS	IN	MILS
ONE PLACES	1/24	2	0.0100
TWO PLACES	1/48	3	0.0050
THREE PLACES	1/96	4	0.0025
FOUR PLACES	1/192	5	0.0012
FIVE PLACES	1/384	6	0.0006
SIX PLACES	1/768	7	0.0003
SEVEN PLACES	1/1536	8	0.0001
EIGHT PLACES	1/3072	9	0.00005
NINE PLACES	1/6144	10	0.00002
TEN PLACES	1/12288	11	0.00001

DESIGN UNITS:  SI METRIC  US CUSTOMARY

RAW MATERIAL-COMMERICAL STANDARD  
 MICRO SWITCH STANDARDS APPLY  
 DIMENSIONS ARE TO BE MET BEFORE  
 PROTECTIVE COATINGS ARE APPLIED

WEIGHT 7 OZ MAX