

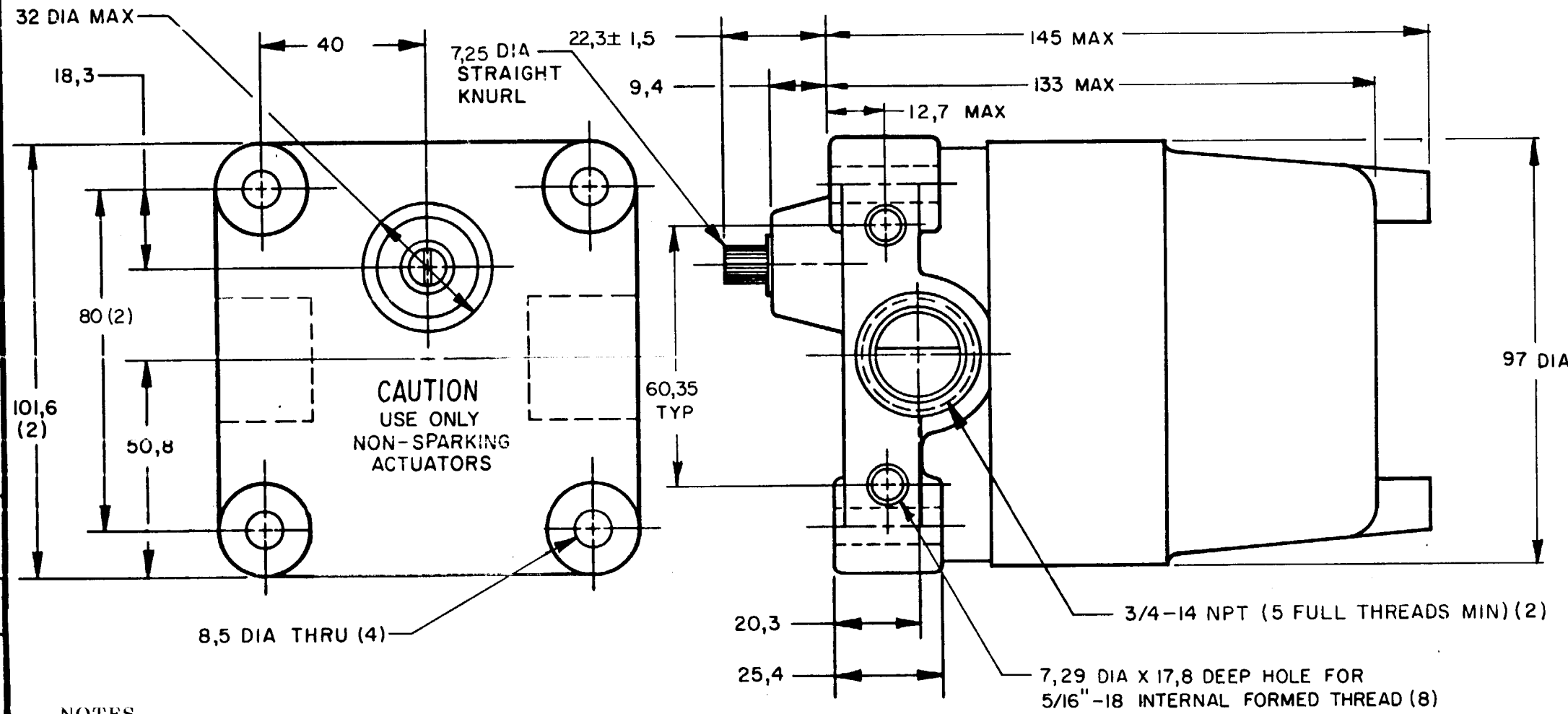
MICRO SWITCH
 FREEPORT, ILLINOIS, U.S.A.
 A DIVISION OF HONEYWELL
 FED. MFG. CODE 91939

SWITCH-ENCLOSED

CATALOG LISTING
24CX200

CONVERSION CHART

4,75	.187
7,25	.285
7,29	.287
8,5	.33
9,4	.37
12,7	.50
17,8	.70
18,3	.72
20,3	.80
22,3±1,5	.880±.059
25,4	1.00
32,0	1.26
40,0	1.57
50,8	2.00
60,35	2.38
80,0	3.15
97,0	3.82
101,6	4.00
133,0	5.24
145,0	5.71
0,5 Nm	.3 PF
1,25 Kg	2.75 LB



- NOTES**
- 1 - EXPLOSION PROOF-UNDERWRITERS LAB INC LISTING FOR HAZARDOUS LOCATIONS CLASS I, GROUPS B,C AND D; CLASS II, GROUPS E,F AND G
 - 2 - ALUMINUM ENCLOSURE FINISHED WITH BLUE AND BLACK EPOXY PAINT
 - 3 - 6-32 UNC X 4.75 REF PAN HEAD TERMINAL SCREW (6 PER BASIC)
 - 4 - CAMS MAY BE REPOSITIONED IN 7°20' INCREMENTS
 - 5 - FOR USE IN TEMPERATURES UP TO 85°C
 - 6 - UNIT PROVIDES NO SHAFT RESTORING FORCE. THE ACTUATING DEVICE MUST CONTROL MOVEMENT OF SHAFT
 - 7 - EACH BASIC SWITCH ACTUATES AT APPROX SAME TIME PERIOD IN CW DIRECTION AND REMAINS ACTUATED FOR APPROX 45° AFTER THE 45° IS TRAVERSED SWITCH REMAINS UNACTUATED FOR DURATION OF 360°

CAT LIST	DESCRIPTION	ELECTRICAL DATA
24CX200	2 BASICS; OPERATES APPROX SAME TIME PERIOD CLOCKWISE	UL LISTED-FILE E14274 CODE L59 10A - 125 OR 250 VAC 0.3A - 125 VDC; 0.15A-250 VDC

THIS DRAWING COVERS A PROPRIETARY ITEM AND IS THE PROPERTY OF MICRO SWITCH, A DIVISION OF HONEYWELL. THIS DRAWING IS NOT TO BE COPIED OR USED WITHOUT THE APPROVAL OF MICRO SWITCH.

CHARACTERISTICS	
OPERATING FORCE	0,5 Nm MAX
DEGREES ACTUATED	45° APPROX
DIFFERENTIAL TRAVEL	25 ° MAX

THIRD ANGLE PROJECTION	SCALE 3/4 TO 1															
DO NOT SCALE PRINT	TOLERANCES															
CONTACT ARRANGEMENT D P D T (EACH BASIC)	APPLY TO DESIGN UNITS. CONVERSIONS ARE ONLY FOR REFERENCE. UNLESS NOTED, TOLERANCES ARE ±															
	<table border="1"> <tr> <th>NO PLACES</th> <th>ONE PLACE</th> <th>TWO PLACES</th> <th>THREE PLACES</th> <th>ANGLES</th> </tr> <tr> <td>±</td> <td>±</td> <td>±</td> <td>±</td> <td>±</td> </tr> <tr> <td>1/64</td> <td>0.015</td> <td>0.005</td> <td>0.002</td> <td>0.005</td> </tr> </table>	NO PLACES	ONE PLACE	TWO PLACES	THREE PLACES	ANGLES	±	±	±	±	±	1/64	0.015	0.005	0.002	0.005
NO PLACES	ONE PLACE	TWO PLACES	THREE PLACES	ANGLES												
±	±	±	±	±												
1/64	0.015	0.005	0.002	0.005												
	DESIGN UNITS: <input checked="" type="checkbox"/> SI METRIC <input type="checkbox"/> US CUSTOMARY RAW MATERIAL-COMMERCIAL STANDARD MICRO SWITCH STANDARDS APPLY DIMENSIONS ARE TO BE MET BEFORE PROTECTIVE COATINGS ARE APPLIED WEIGHT 1,25 Kg APPROX															

M 24CX200
 DRAWING NUMBER
 ISSUE 84
 REVISIONS
 A C060971 15 JAN 87
 B C061401 17 APR 87
 C C064134 25 AUG 88
 10 JUL 86
 S.J.S.
 FO-32851-A