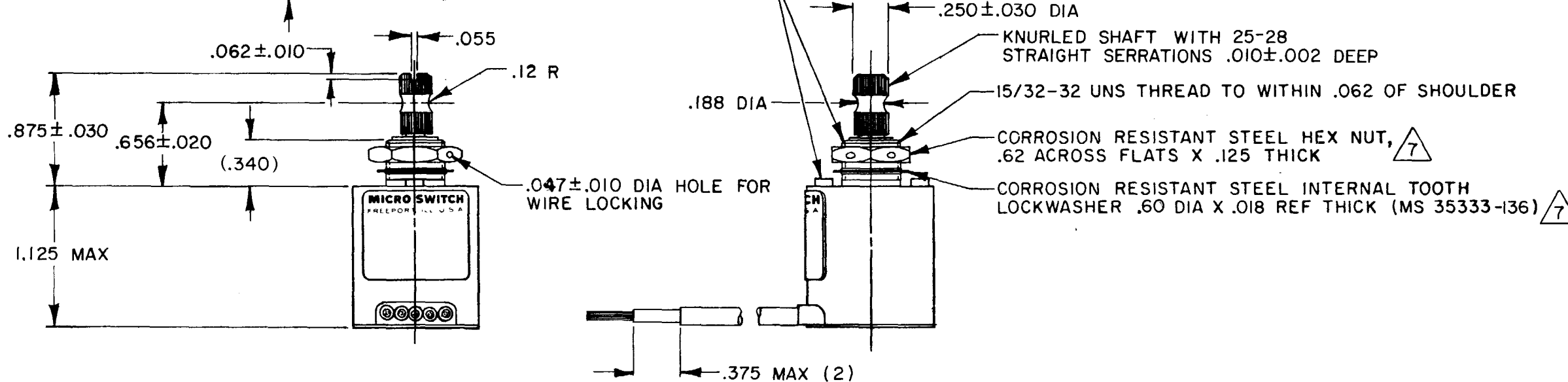
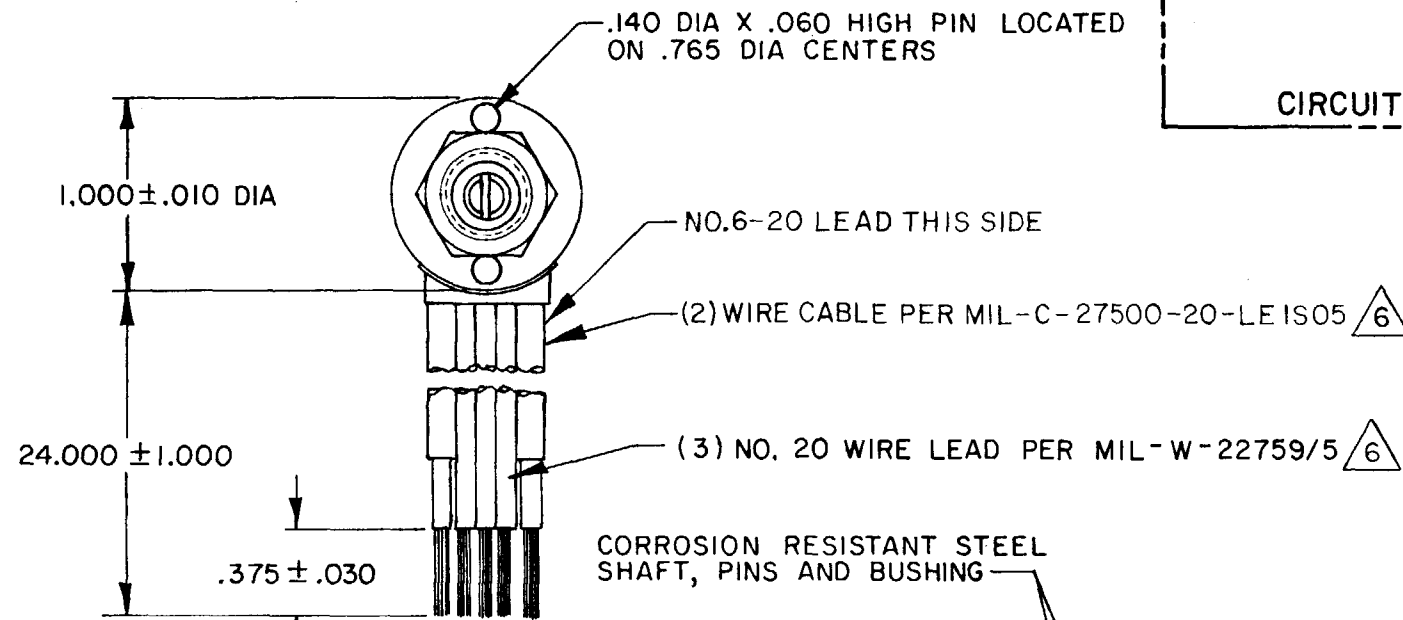
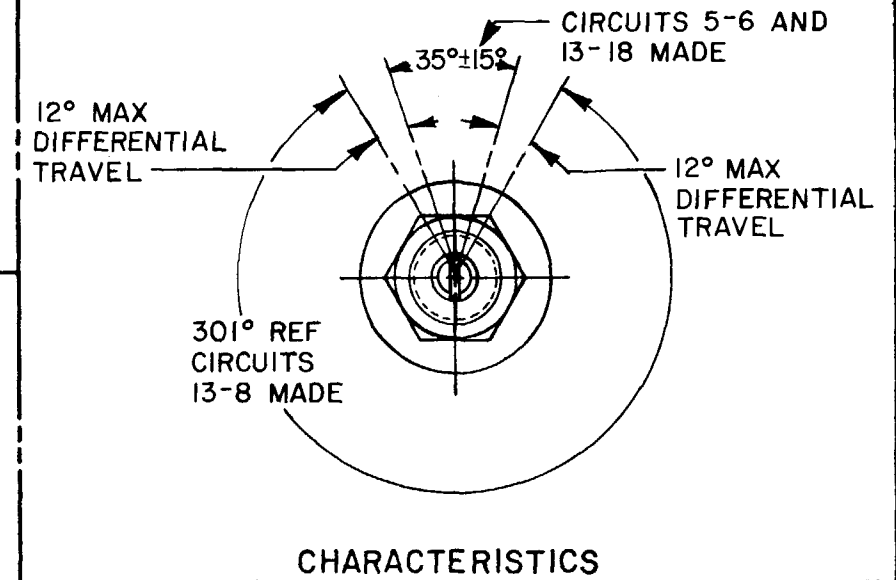
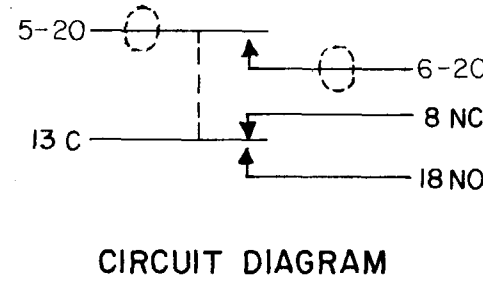


MICRO SWITCH
 FREEPORT ILLINOIS U.S.A.
 A DIVISION OF HONEYWELL
 FED. MFG. CODE 91929

SWITCH - ENCLOSED

CATALOG LISTING
41EN47-2



- NOTES**
- 1 - CORROSION RESISTANT STEEL ENCLOSURE
 - 2 - SWITCH SEALED PER MIL-PRF-8805 SYMBOL 4
 - 3 - CIRCUIT DIAGRAM AND CAT. LIST. ARE SHOWN ON NAMEPLATE
 - 4 - UNIT PROVIDES NO SHAFT RESTORING TORQUE. THE ACTUATING DEVICE MUST CONTROL MOVEMENT OF SHAFT
 - 5 - SHIELDING OF LEADS NO. 5 AND NO. 6 IS NOT ATTACHED TO SWITCH HOUSING
 - 6 MARKED WITH CIRCUIT IDENTIFICATION (13C, 8NC, ETC) PER MIL-W-5088
 - 7 HARDWARE MAY BE PACKAGED UNASSEMBLED PER MIL-PRF-8805

41EN47-2
 M
 DRAWING NUMBER
 X 6
 ISSUE
 X X
 REVISIONS
 A CO 49806 TSK 28 SEPT 81
 B CO54408 JAS 16 JAN 84
 C CO54728 L M AR 84
 D CO57370 J A P 14 MAY 85
 E 0050483 LK 03APR09
 CHECK 03APR09
 CMH
 15 AUG 80
 CEB
 14 AUG 80
 C J H
 FO-2851-A
 DRAWN
 RELEASE NO. PR-9245
 REPLACES

THIS DRAWING COVERS A PROPRIETARY ITEM AND IS THE PROPERTY OF MICRO SWITCH, A DIVISION OF HONEYWELL. THIS DRAWING IS NOT TO BE COPIED OR USED WITHOUT THE APPROVAL OF MICRO SWITCH.		THIRD ANGLE PROJECTION	SCALE FULL
CHARACTERISTICS		ELECTRICAL DATA	
OPERATING TORQUE --- 3 IN. LB MAX		CONTACT ARRANGEMENT S P D T (1) S P N O (1)	
PRETRAVEL		28 VDC	
DIFFERENTIAL TRAVEL		LOAD	SEA LEVEL 50,000 FT.
OVERTRAVEL		RES	4 4
FREE POSITION		IND	3 1
SEE DETAIL		MOTOR	4 -
		LAMP	2.4 2.4
		WEIGHT	

TOLERANCES			
APPLY TO DESIGN UNITS. CONVERSIONS ARE ONLY FOR REFERENCE. UNLESS NOTED, TOLERANCES ARE ±			
DIM.	TOL.	DIM.	TOL.
mm	mm/in	in	mm/in
NO PLACES	X	1/04	
ONE PLACE	X,X	0.4/016	X,X 0.8/05
TWO PLACES	X,XX	0.15/006	X,XX 0.38/015
THREE PLACES	X,XXX		X,XXX 0.15/005
ANGLES			
SI METRIC		US CUSTOMARY	
DESIGN UNITS <input type="checkbox"/>		<input checked="" type="checkbox"/>	
RAW MATERIAL—COMMERCIAL STANDARD			
MICRO SWITCH STANDARDS APPLY			
DIMENSIONS ARE TO BE MET BEFORE PROTECTIVE COATINGS ARE APPLIED			

RASTER