

MICRO SWITCH
a Honeywell Division
FED. MFG. CODE 91929

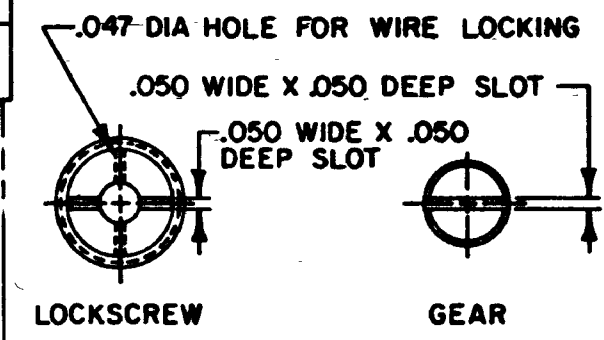
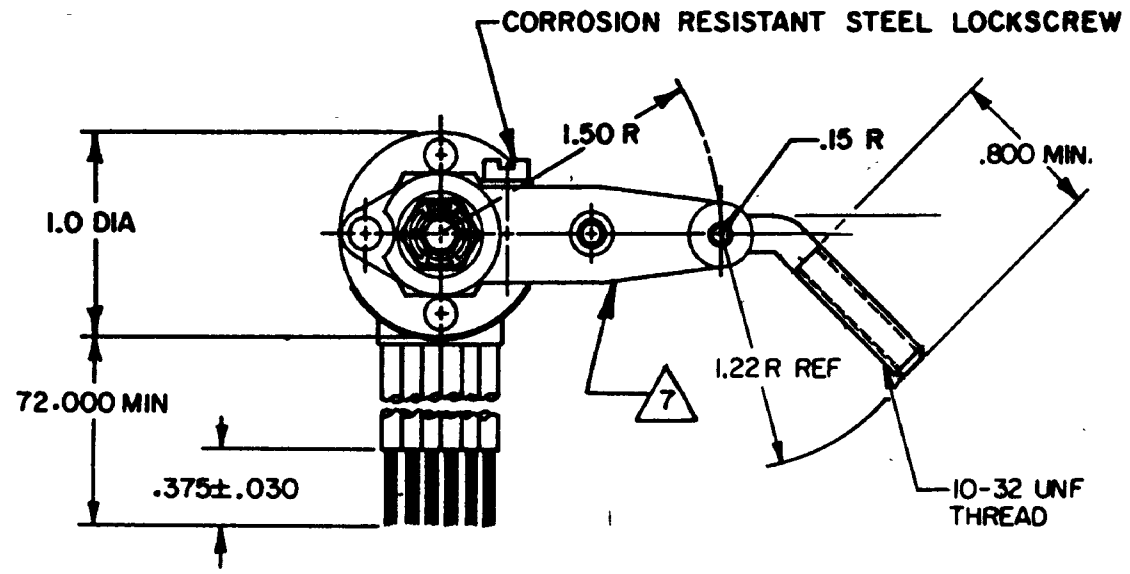
SWITCH-ENCLOSED

CATALOG LISTING
41EN49-6

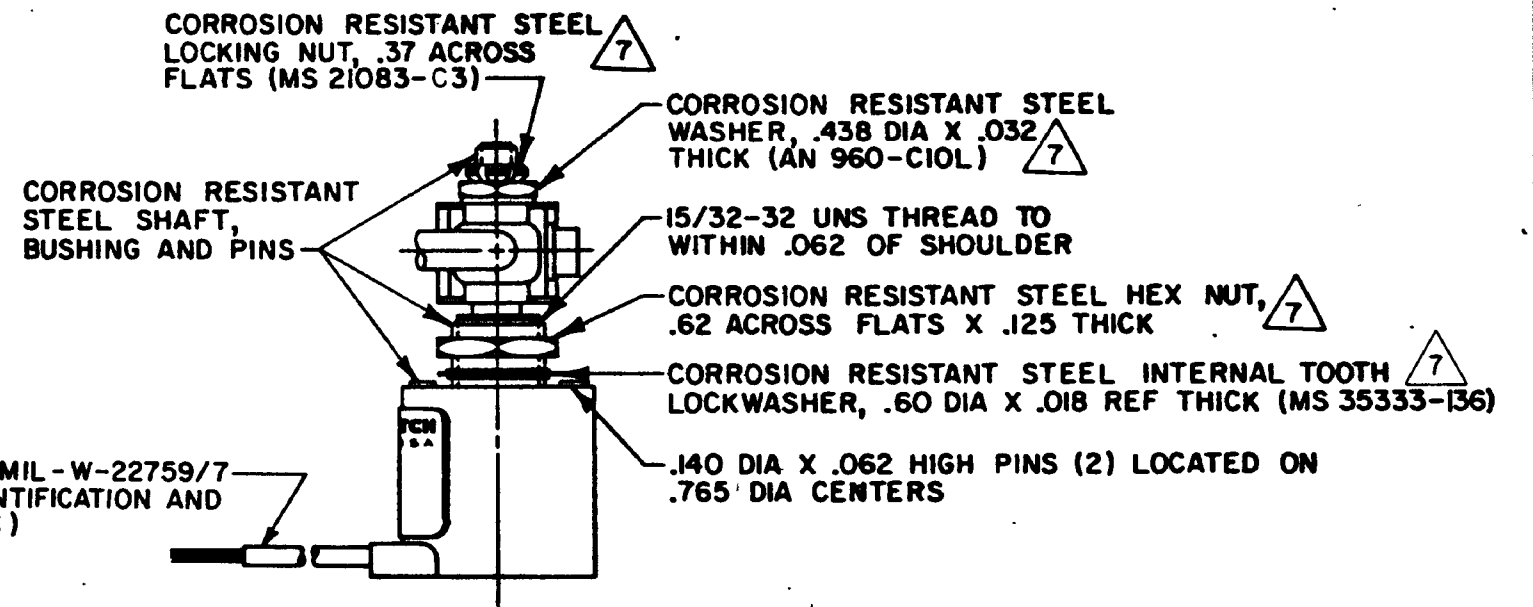
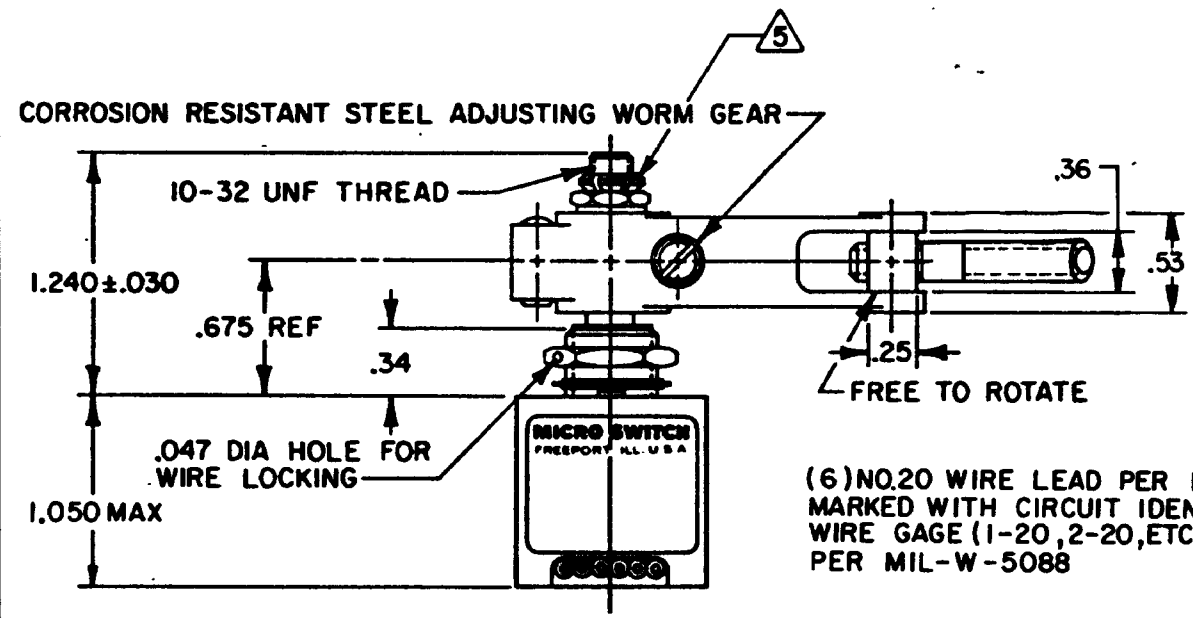
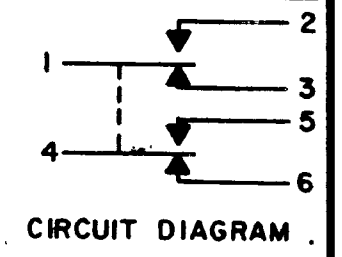
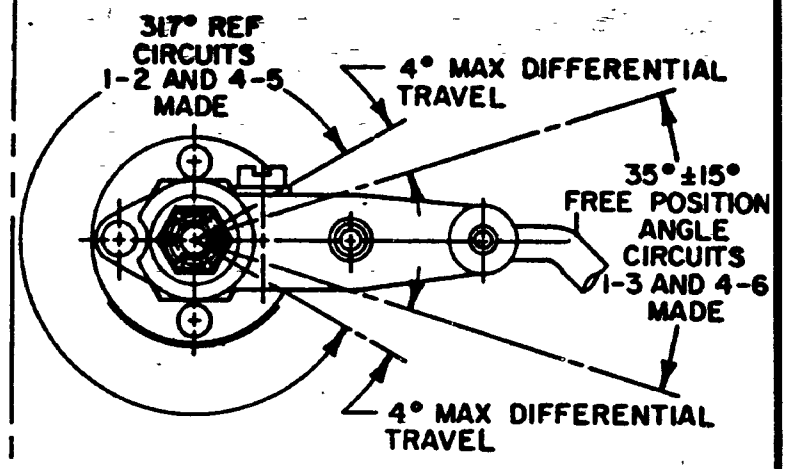
41EN49-6

M
DRAWING NUMBER
3
ISSUE

RELEASE NO. PR-19955 REPLACES
CHECK
25 MAR 92
CHECK
25 MAR 92
DRAWN
T S M



LEVER MAY BE ADJUSTED FOR AN INFINITE NUMBER OF POSITIONS THRU 360°. ADJUSTMENT IS MADE BY LOOSENING THE LOCK NUT AND THEN THE LOCKSCREW AND TURNING GEAR UNTIL LEVER IS IN DESIRED POSITION. LOCKSCREW AND LOCK NUT ON SHAFT IS THEN TIGHTENED TO POSITIVELY LOCK LEVER IN POSITION.
LEVER ADJUSTMENT DETAIL
SCALE 2 TO 1



(6) NO.20 WIRE LEAD PER MIL-W-22759/7 MARKED WITH CIRCUIT IDENTIFICATION AND WIRE GAGE (1-20, 2-20, ETC) PER MIL-W-5088

- NOTES
- 1 - CORROSION RESISTANT STEEL ENCLOSURE
 - 2 - SWITCH SEALED PER MIL-S-8805 SYMBOL 4
 - 3 - CIRCUIT DIAGRAM AND CAT. LIST. ARE SHOWN ON NAMEPLATE
 - 4 - UNIT PROVIDES NO SHAFT RESTORING FORCE THE ACTUATING DEVICE MUST CONTROL MOVEMENT OF THE SHAFT
 - 5 - DO NOT APPLY MORE THEN 20-25 INCH-POUNDS OF TORQUE WHEN TIGHTENING LOCKING NUT
 - 6 - LEADS PARALLEL WITH CENTERLINE OF MOUNTING PINS WITHIN ±5°
 - 7 - HARDWARE MAY BE PACKAGED UNASSEMBLED PER MIL-S-8805

THIS DRAWING COVERS A PROPRIETARY ITEM AND IS THE PROPERTY OF MICRO SWITCH, A DIVISION OF HONEYWELL. THIS DRAWING IS NOT TO BE COPIED OR USED WITHOUT THE APPROVAL OF MICRO SWITCH

THIRD ANGLE PROJECTION

CHARACTERISTICS		ELECTRICAL DATA		SCALE FULL
OPERATING TORQUE — 3 IN LB MAX		CONTACT ARRANGEMENT 2X S P D T		DO NOT SCALE PRINT
PRETRAVEL		28 VDC		UNLESS OTHERWISE SPECIFIED TOLERANCES ARE
DIFFERENTIAL TRAVEL		LOAD	SEA LEVEL	50,000 FT
OVERTRAVEL		RES	4	4
FREE POSITION		IND	3	1
		MOTOR	4	
				WEIGHT 8.6 OZ MAX

SEE DETAIL