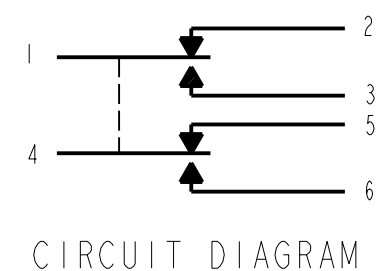


M

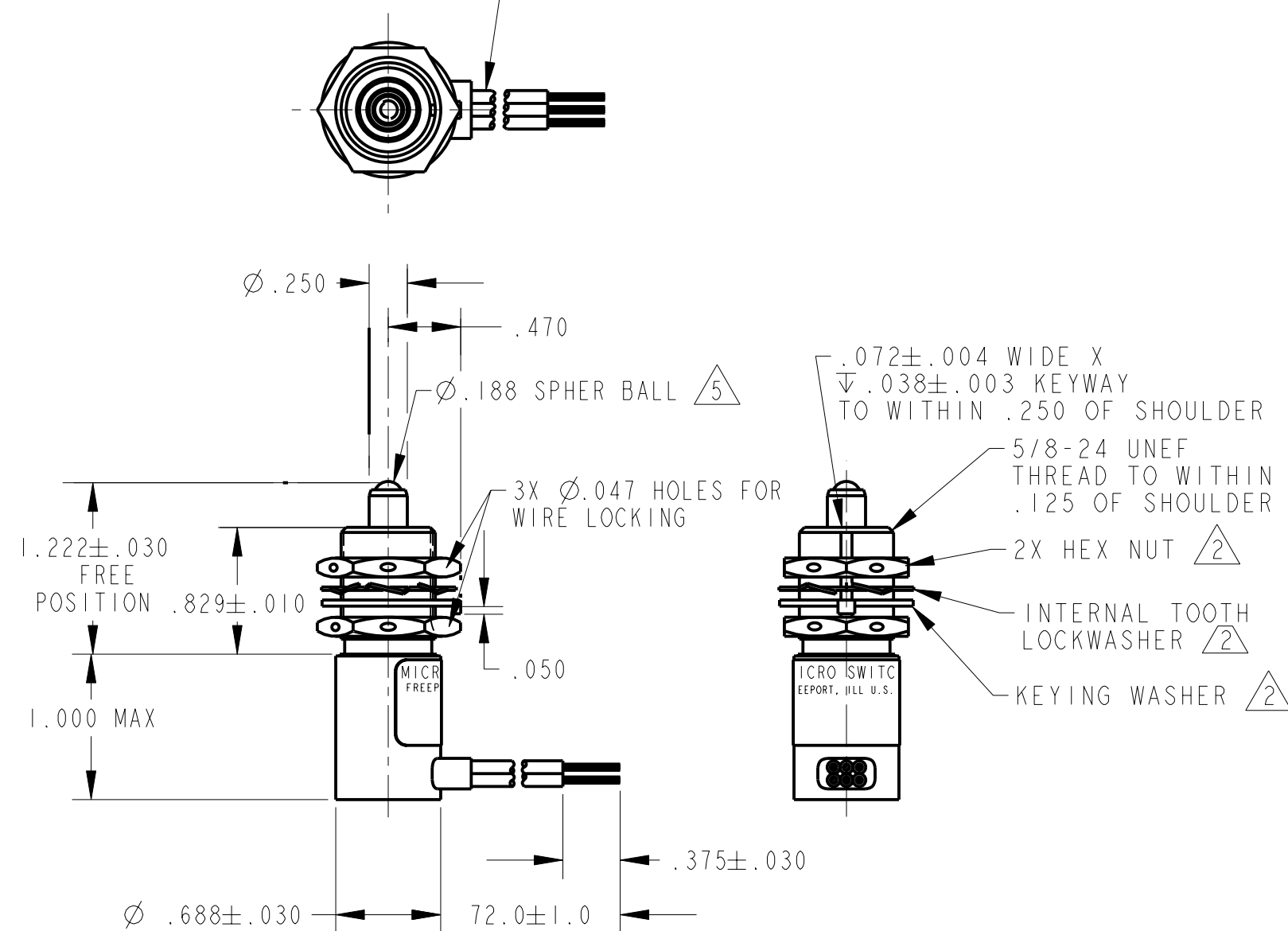
4402EN222-6

SPECIFICATION DETAILS:

STANDARD:	CONFORMS TO MS27240-3 (MIL-PRF-8805/39), EXCEPT AS NOTED		
CONSTRUCTION:	RESILIENT SEAL PER MIL-PRF-8805, SYMBOL 4		
ENCLOSURE DESIGN	SILVER PROJECTION, GOLD PLATED CONTACTS		
CONTACT MATERIAL & CONFIGURATION	2 SPDT		
CIRCUIT CONFIGURATION	LEADWIRE PER MIL-W-22759/34		
TERMINATION	4.0 OZS MAX		
WEIGHT	CORROSION RESISTANT STAINLESS STEEL		
EXPOSED METALS			
ELECTRICAL CHARACTERISTICS:			
ELECTRICAL RATINGS	<u>VOLTAGE</u>	<u>RESISTIVE</u>	<u>LOAD INDUCTIVE</u>
-SEA LEVEL	28VDC	7A	2.5A
-50,000 FEET	28VDC	7A	1.0A
DIELECTRIC STRENGTH & INSULATION RESISTANCE	<u>DIELECTRIC STRENGTH</u> (\approx 60 Hz, FOR 5 SECONDS)	<u>INSULATION RESISTANCE</u> (500 VDC \pm 10%)	
-BETWEEN TERMINALS AND EXPOSED NON-CURRENT CARRYING METAL	1000 V Rms, 500 μ A (MAX LEAKAGE)	1000 Megohm MIN	
-BETWEEN TERMINALS OF MUTUALLY INSULATED CIRCUITS	1000 V Rms, 500 μ A (MAX LEAKAGE)	1000 Megohm MIN	
-BETWEEN ALL UNCONNECTED TERMINALS OF THE SAME POLE	1000 V Rms, 500 μ A (MAX LEAKAGE)	1000 Megohm MIN	
SWITCH RESISTANCE	6 VDC/.100 A; 200 MILLIOHMS MAX		
RECOMMENDATION OR USE IN APPLICATIONS LESS THAN .5 AMPS AND/OR 12 VOLTS	\triangle 3		
MECHANICAL CHARACTERISTICS:			
CHARACTERISTICS:			
COINCIDENCE OF OPERATING AND RELEASING POINTS	.010 OF PLUNGER TRAVEL		
OPERATING FORCE	3-6 LBS		
FULL OVERTRAVEL FORCE	17 LB MAX		
RELEASE FORCE	2 LB MIN		
PRETRAVEL	.040 MAX		
DIFFERENTIAL TRAVEL	.020 MAX		
OVERTRAVEL	.125 MIN		
MOUNTING STRENGTH	15 IN-LBS		
ACTUATOR STRENGTH	30 LBS APPLIED IN A DIRECTION TO CAUSE SWITCH ACTUATION		
LIFE:			
MECHANICAL LIFE	PER MIL-PRF-8805/39 \triangle 4		
ELECTRICAL LIFE AT FULL RATED LOAD	PER MIL-PRF-8805/39 \triangle 4		
ENVIRONMENTAL:			
TEMPERATURE RANGE	-55° C TO +85° C		
ALTITUDE RANGE	SEA LEVEL TO 50,000 FEET		
SHOCK	PER MIL-PRF-8805 SYMBOL M - 100 g		
VIBRATION, RANDOM	PER MIL-PRF-8805 SYMBOL 2 - 10-2000 Hz & 15 g PEAK		
MOISTURE RESISTANCE	PER MIL-PRF-8805		
THERMAL SHOCK	PER MIL-PRF-8805		
SALT SPRAY	PER MIL-PRF-8805		
SAND AND DUST	PER MIL-PRF-8805, METHOD 1		
TERMINAL STRENGTH	15 LBS		



6X NO. 22 WIRE LEADS PER M22759/32-22-9 MARKED WITH CIRCUIT IDENTIFICATION AND WIRE GAGE (1-22, 2-22 ETC) PER MIL-W-5088



NOTES

- 1 - CIRCUIT DIAGRAM AND CATALOG LISTING SHOWN ON NAMEPLATE
- \triangle 2 - HARDWARE MAY BE PACKAGED UNASSEMBLED PER MIL-PRF-8805. NUT: .81 ACROSS FLATS X .125 THICK (MS 21340-05), INTERNAL TOOTH: Ø.87 X (.022) KEYWASHER Ø.87 X .040 THICK, TAB .110 WIDE
- \triangle 3 - CONTACT HONEYWELL-MICRO SWITCH IF ADDITIONAL INFORMATION ON LOW ENERGY LOADS IS REQUIRED OR FOR HELP WITH SPECIFIC APPLICATIONS
- \triangle 4 - LIFE RATINGS ARE PER MIL-PRF-8805 REQUIREMENTS. ACTUAL LIFE EXCEEDS RATED LIFE. CONTACT HONEYWELL-MICRO SWITCH FOR ADDITIONAL DATA
- \triangle 5 - ROLLER BALL BEARING PLUNGER FOR USE WITH 20° MAX RISE ON CAM OR SLIDE ACTUATION

THIS DRAWING COVERS A PROPRIETARY ITEM AND IS THE PROPERTY OF MICRO SWITCH, A DIVISION OF HONEYWELL. THIS DRAWING IS NOT TO BE COPIED OR USED WITHOUT THE APPROVAL OF MICRO SWITCH.

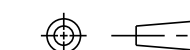
MICRO SWITCH
a Honeywell Division

SWITCH-ENCLOSED

CATALOG LISTING
4402EN222-6

FED. MFG. CODE 91929

THIRD ANGLE PROJECTION



SCALE FULL

DO NOT SCALE PRINT

UNLESS OTHERWISE SPECIFIED TOLERANCES ARE

ONE PLACE	(.0)	\pm .030
TWO PLACES	(.00)	\pm .015
THREE PLACES	(.000)	\pm .005
ANGLES		\pm

WEIGHT

ANSI Y14.5M-1982 APPLIES

4402EN222-6

5

REVISIONS

A

200824

TSM

14JUL00

CHECK

14JUL00

CHECK

14JUL00

CHECK

14JUL00

CHECK

14JUL00

CHECK

14JUL00

CHECK

14JUL00

CHECK

14JUL00

CHECK

14JUL00

CHECK

14JUL00

CHECK

14JUL00

CHECK

14JUL00

CHECK

14JUL00

CHECK

14JUL00

CHECK