

MICRO SWITCH

FREERPORT ILLINOIS, U.S.A
A DIVISION OF HONEYWELL
FED. MFG. CODE 91929

SWITCH-BASIC

CATALOG LISTING

4HM47-3

4HM47-3

M

DRAWING NUMBER

ISSUE

6

PAGE 1 OF 1

REPLACES

RELEASE NO. PR-13483

CHECK

CHECK

NOV 84

NOV 84

NOV 84

NOV 84

NOV 84

NOV 84

NOV 84

REVISIONS

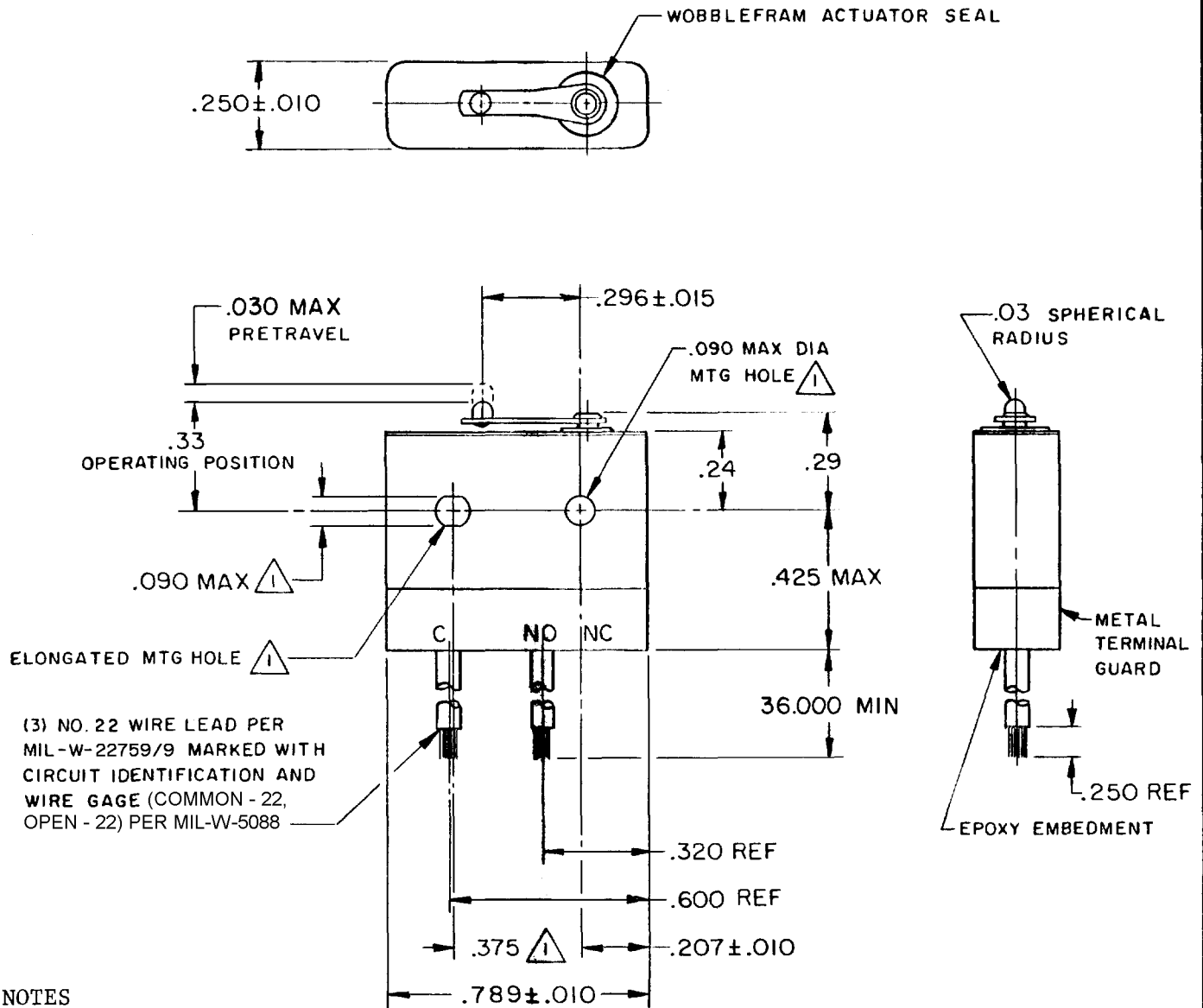
A	PR13483
12	KJS NOV 84
B	CO71228
	DAW I NOV 91
C	CO94220
	DLT 24 MAR 99
D	0002464
	CSL 15 DEC 03

RASTER

FO-52848-A

DRAWN

KJS 12 NOV 84



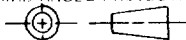
(3) NO. 22 WIRE LEAD PER MIL-W-22759/9 MARKED WITH CIRCUIT IDENTIFICATION AND WIRE GAGE (COMMON - 22, OPEN - 22) PER MIL-W-5088

NOTES

- 1 MOUNTING HOLES WILL ACCEPT PINS OR SCREWS OF .087 MAX DIA ON .375±.002 CENTERS
- 2 - FOR USE IN TEMPERATURE RANGE -85°F TO +250°F
- 3 - HERMETICALLY SEALED (METAL-TO-METAL, GLASS-TO-METAL)
- 4 - ALL EXPOSED PARTS ARE OF CORROSION RESISTANT MATERIALS
- 5 WEIGHT OF SWITCH ONLY IS 0.22 OZ MAX. WEIGHT OF CONDUCTOR GROUP ONLY IS 0.20 OZ MAX PER FOOT
- 6 - DO NOT APPLY MORE THAN 1 1/2 INCH-POUNDS OF TORQUE WHEN TIGHTENING MOUNTING SCREWS
- 7 - 24K GOLD MOVABLE CONTACT
- 8 - GOLD ALLOY STATIONARY CONTACTS

THIS DRAWING COVERS A PROPRIETARY ITEM AND IS THE PROPERTY OF MICRO SWITCH, A DIVISION OF HONEYWELL. THIS DRAWING IS NOT TO BE COPIED OR USED WITHOUT THE APPROVAL OF MICRO SWITCH.

THIRD ANGLE PROJECTION



CHARACTERISTICS

OPERATING FORCE ——— 7 OZ MAX

RELEASE FORCE ——— 1 OZ MIN

DIFFERENTIAL TRAVEL ——— .006 MAX

OVERTRAVEL ——— .003 MIN

ELECTRICAL DATA

CONTACT ARRANGEMENT
S P N O

28 VDC

INDUCTIVE--SEA LEVEL ----- 1/4 AMP
70,000 FT ----- 1/4 AMP

RESISTIVE--SEA LEVEL ----- 1 AMP
70,000 FT ----- 1 AMP

SCALE 2:1

DO NOT SCALE PRINT

TOLERANCES

APPLY TO DESIGN UNITS. CONVERSIONS ARE ONLY FOR REFERENCE. UNLESS NOTED, TOLERANCES ARE ±

DIM.	TOL.	DIM.	TOL.
NO PLACES	X	17.04	
ONE PLACE	X,X	0.4/.016	X X 0.8/.03
TWO PLACES	X,XX	0.15/.006	X X X 0.38/.015
THREE PLACES	X,XXX		X X X X 0.13/.005
ANGLES			

SI METRIC US CUSTOMARY

DESIGN UNITS WEIGHT