

CATALOG LISTING
5SE3-6
 PAGE 1 OF 1

M

DRAWING
 NUMBER

6

ISSUE

REPLACES
 RELEASE NO. PR - 8615

CHECK

REVISIONS

A	00-51463	KAG	26 JUL 82
B	C056103	CJH	12 NOV 84
C	C057041A	CJH	21 MAR 85
D	C094282	DLM	3 MAR 99
E	200259	CSL	20 APR 00

CHECK

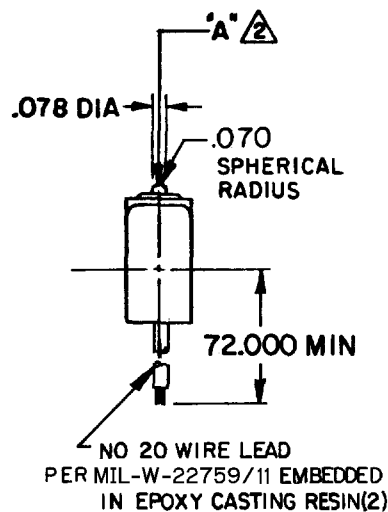
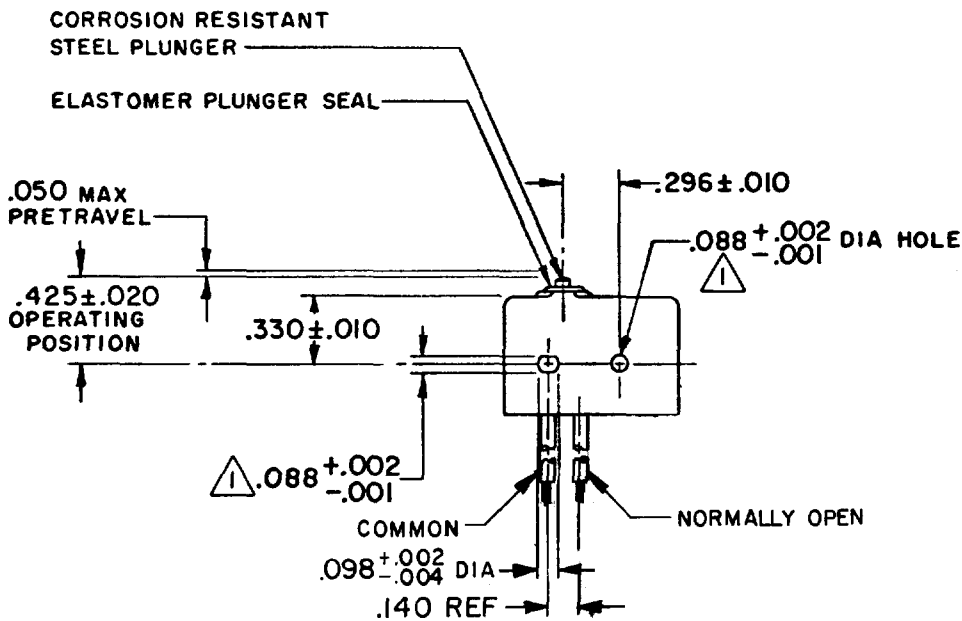
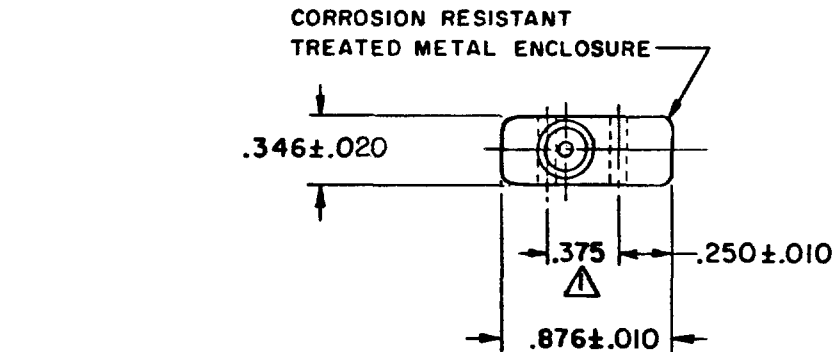
CHECK

FORMTEK

FO-52848-A

DRAWN

CHECK
 27 MAY 80

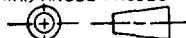


NOTE -

- ① MOUNTING HOLES WILL ACCEPT PINS OR SCREWS OF .087 MAX DIA ON .375 ± .002 CENTERS
- ② ACTUATION IN LINE WITH ARROW "A" IS RECOMMENDED
- ③ WEIGHT OF SWITCH ONLY IS .26 OZ MAX WEIGHT OF SWITCH WITH WIRE LEADS IS 1.75 OZ MAX

THIS DRAWING COVERS A PROPRIETARY ITEM AND IS THE PROPERTY OF MICRO SWITCH, A DIVISION OF HONEYWELL. THIS DRAWING IS NOT TO BE COPIED OR USED WITHOUT THE APPROVAL OF MICRO SWITCH.

THIRD ANGLE PROJECTION



CHARACTERISTICS

OPERATING FORCE ----- 5-17 OZ
 RELEASE FORCE ----- 4 OZ MIN
 RELEASE TRAVEL ----- .004 MIN
 DIFFERENTIAL TRAVEL --- .004 MAX
 OVERTRAVEL ----- .003 MIN

ELECTRICAL DATA

CONTACT ARRANGEMENT
 S P N O

250 VAC ----- 5 AMP
 30 VOLTS DC RATING

INDUCTIVE ----- SEA LEVEL --- 3 AMP
 50,000 FT --- 2.5 AMP
 RESISTIVE ----- SEA LEVEL --- 5 AMP
 50,000 FT --- 5 AMP
 MAXIMUM INRUSH ----- 24 AMP

SCALE FULL

DO NOT SCALE PRINT

TOLERANCES

APPLY TO DESIGN UNITS. CONVERSIONS ARE ONLY FOR REFERENCE. UNLESS NOTED, TOLERANCES ARE ±

	DIM. mm	TOL. mm/in	DIM. in	TOL. mm/in
NO PLACES	X	1/.04	X X	0.01/03
ONE PLACE	X.X	0.05/016	X.X X	0.38/015
TWO PLACES	X.XX	0.15/008	X.XX X	0.13/005
THREE PLACES	X.XXX		X.XXX	
ANGLES				

SI METRIC

US CUSTOMARY

DESIGN UNITS

WEIGHT

③