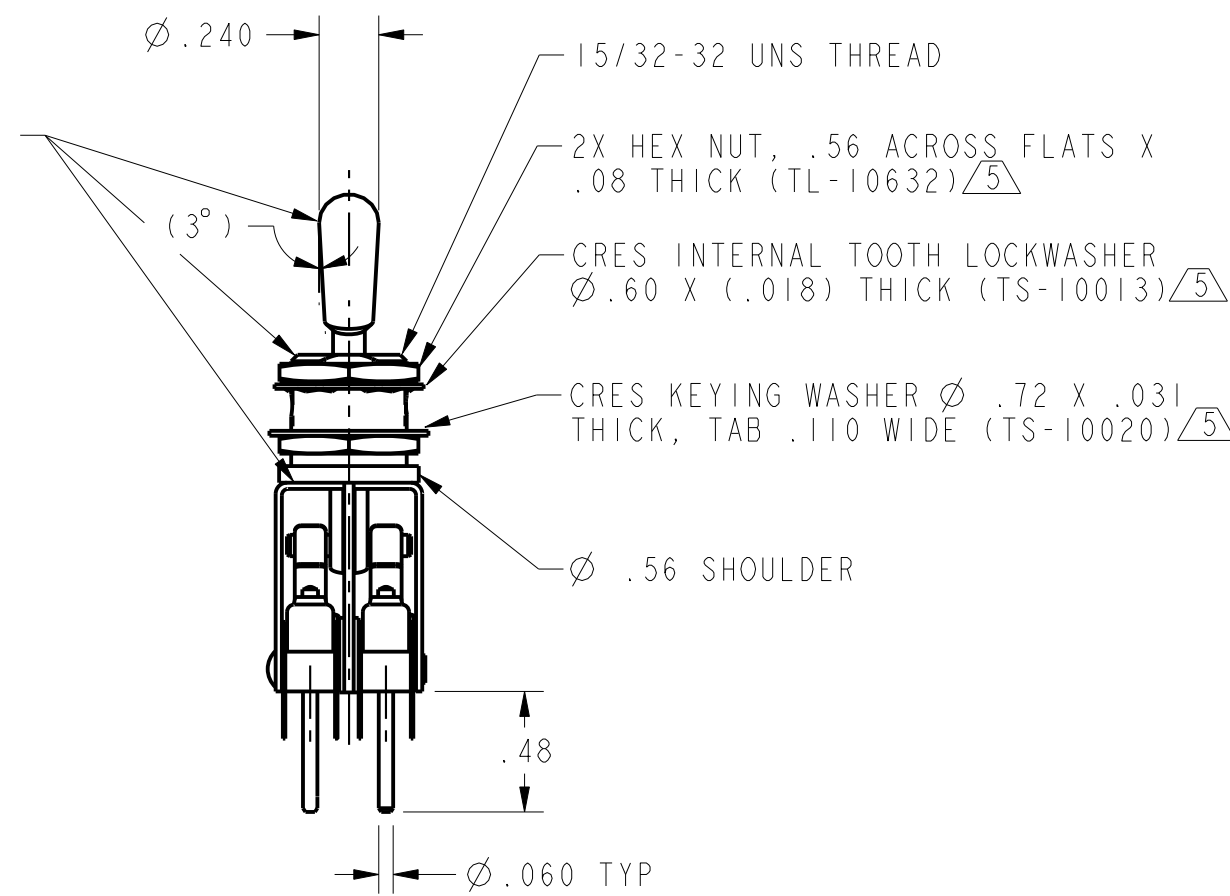
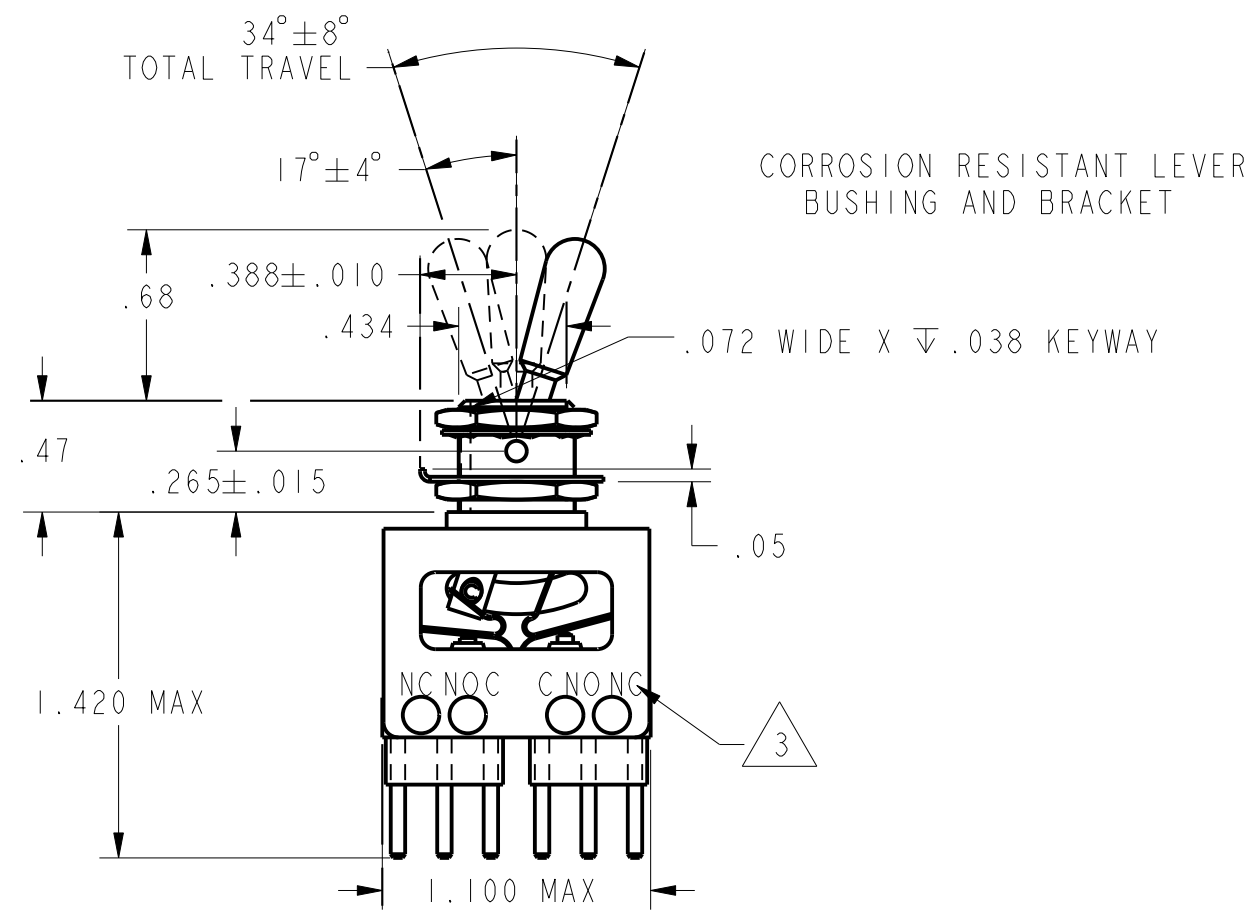
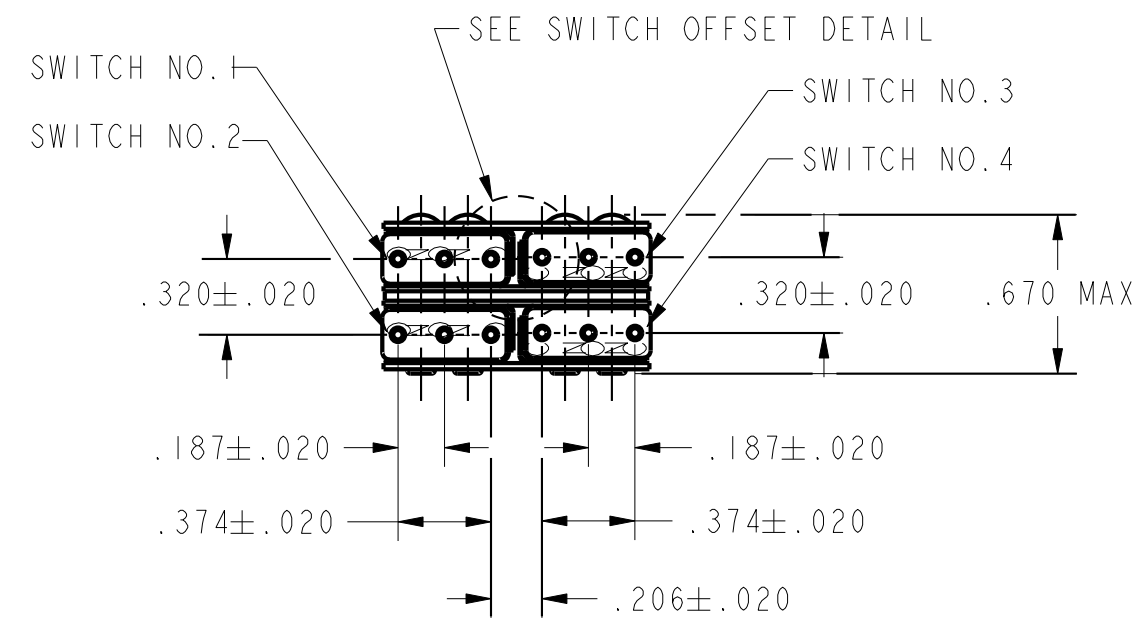


HONEYWELL PART NUMBER
64AT40-3
FAA-PMA

REV	DOCUMENT	CHANGED BY	CHECK
10	0012331	KSR 07APR05	SAV



CATALOG LISTING	KEYWAY POSITION		CENTER POSITION		OPPOSITE KEYWAY POSITION	
	C-NC	C-NO	C-NO	C-NC	C-NC	C-NO
64AT40-3	1,2	3,4	NONE	NONE	3,4	1,2
* ASTERISK DENOTES MOMENTARY POSITION						



NOTES

- 1 - UNIT INCLUDES 4X GOLD BIFURCATED "SX" TYPE BASIC SWITCH
- 2 - SWITCHES DO NOT NECESSARILY OPERATE SIMULTANEOUSLY
- 3 - TERMINAL DESIGNATION MARKED ON BOTH SIDES OF UNIT
- 4 - DULL FINISH ON LEVER AND BUSHING
- 5 - HARDWARE FURNISHED ASSEMBLED WITH SWITCH OR IN PACKET 15PA313-AT PER MIL-PRF-8805
- 6 - REPLACEMENT MOUNTING HARDWARE PACKET 15PA313-AT
- 7 - FOR MANUFACTURING DETAIL SEE THE CORRESPONDING ASSEMBLY DRAWING 64AT40-3 FOR FAA-PMA.

DETAIL RATING CHART

VOLTS	CYCLE	AMPERES SEA LEVEL				AMPERES 50,000 FT			
		RES	IND			RES	IND		
28VDC		.010	.010			.010	.010		

CHARACTERISTICS	ELECTRICAL DATA	DESIGN UNITS: INCH TOLERANCES UNLESS NOTED:	DRAWN	GJW	IOSEPOI	Honeywell				
			CHECK	SAV	IOSEPOI					
FORCE TO MOVE LEVER FROM ONE POSITION TO ANY ADJACENT POSITION, 1-5 LB APPLIED .125±.030 BELOW TOP OF LEVER	CONTACT ARRANGEMENT 4X S P D T	NO PLACE .X ± ONE PLACE .X ± 0.030 TWO PLACE .XX ± 0.015 THREE PLACE .XXX ± 0.005 FOUR PLACE .XXXX ± ANGLES X ±	THIS DRAWING COVERS A PROPRIETARY ITEM AND IS THE PROPERTY OF HONEYWELL. THIS DRAWING IS NOT TO BE COPIED OR USED WITHOUT THE PERMISSION OF HONEYWELL.			TITLE ASSEMBLY TOGGLE SWITCH				
			INTERPRET PER ASME Y14.5M-1994 OTHER HONEYWELL ENGINEERING STANDARDS MAY APPLY			SIZE	TYPE	DRAWING NAME		REV
			THIRD ANGLE PROJECTION			C	I	64AT40-3		10
			Pro/ENGINEER	2D	SCALE	1:1	SHEET 1 OF 1			