

HONEYWELL
PART NUMBER

BZ-RW80X37-A29

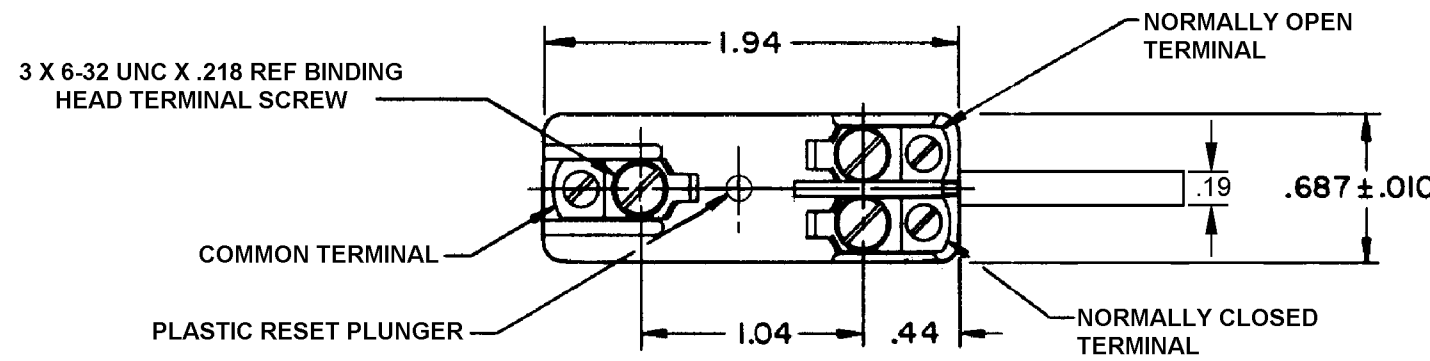
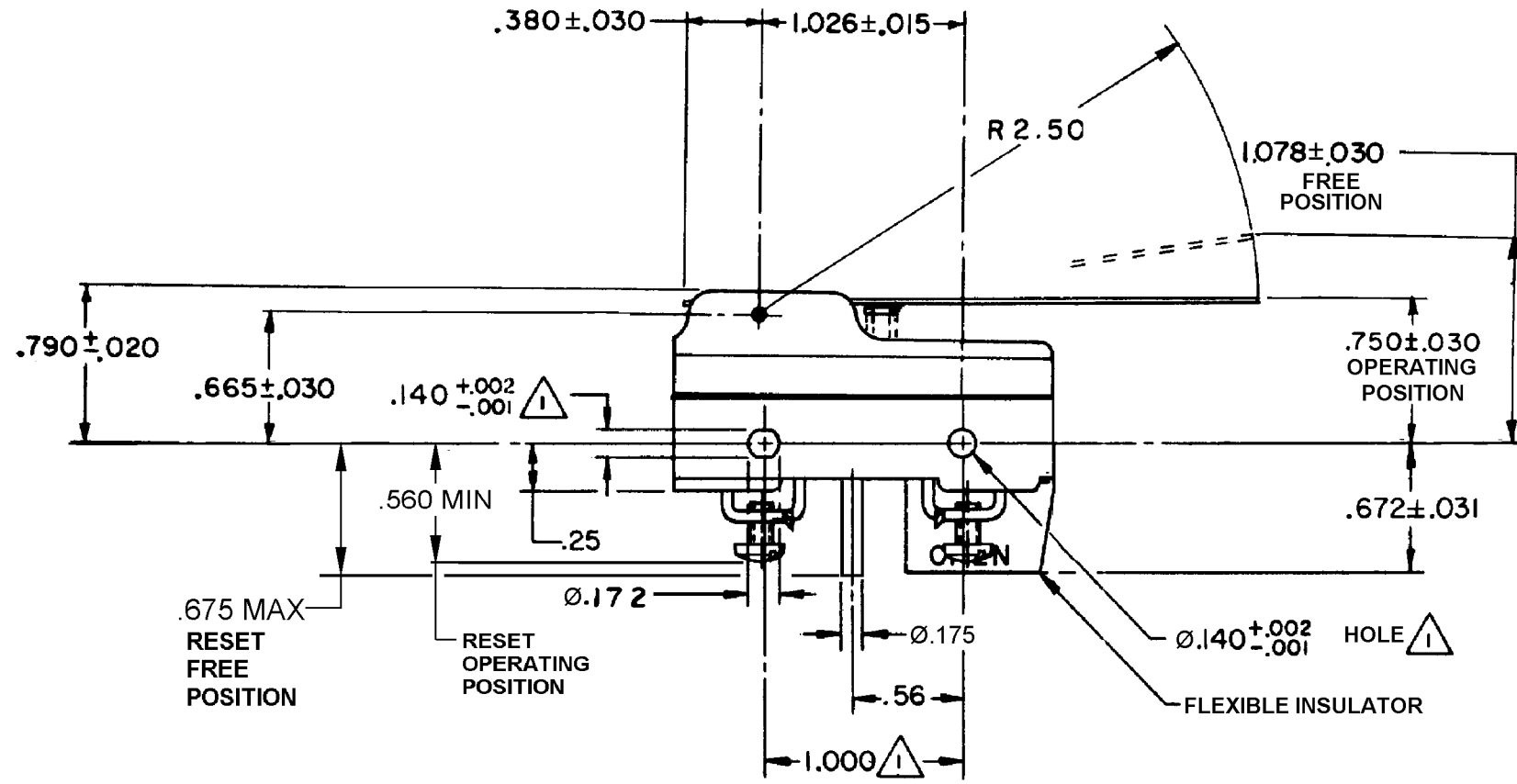
CATALOG LISTING

BZ-RW80X37-A29

PRODUCT CODE


ARA2500

REV	DOCUMENT	CHANGED BY	CHECK
A	0058678	KNR 13NOV09	CMH



NOTES:
 1. MOUNTING HOLES WILL ACCEPT PINS OR SCREWS OF Ø.139 MAX ON 1.000 ± .002 CENTERS

REPLACES : X202454-BZ

CHARACTERISTICS		ELECTRICAL DATA		DESIGN UNITS: INCH			DRAWN		13NOV09		Honeywell		
OPERATING FORCE --- 2 1/4 OZ MAX OVERTRAVEL ----- .219 MIN		CONTACT ARRANGEMENT S.P.D.T.		TOLERANCES UNLESS NOTED:			CHECK		DLB 13NOV09				
RESET CHARACTERISTICS		UNDERWRITERS LAB INC. LISTED RATING		NO PLACES x ±							INTERPRET PER ASME Y14.5M-1994 OTHER HONEYWELL ENGINEERING STANDARDS MAY APPLY		
OPERATING FORCE --- 2-10 OZ OVERTRAVEL ----- .015 MIN		15 A - 125, 250, OR 480 VAC		ONE PLACE .x ± .030									
		-L67- 1/4 HP- 125 VAC ; 1/2 HP-250 VAC		TWO PLACE .xx ± .015							SCALE NONE SHEET 1 OF 1		
		1/2 A - 125 VDC ; 1/4 A -250 VDC		THREE PLACE .xxx ± .005									
				ANGLES x ±							THIRD ANGLE PROJECTION 