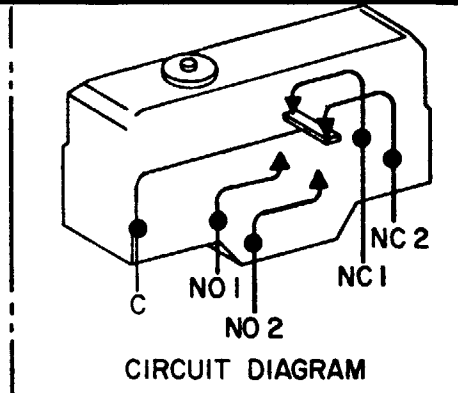


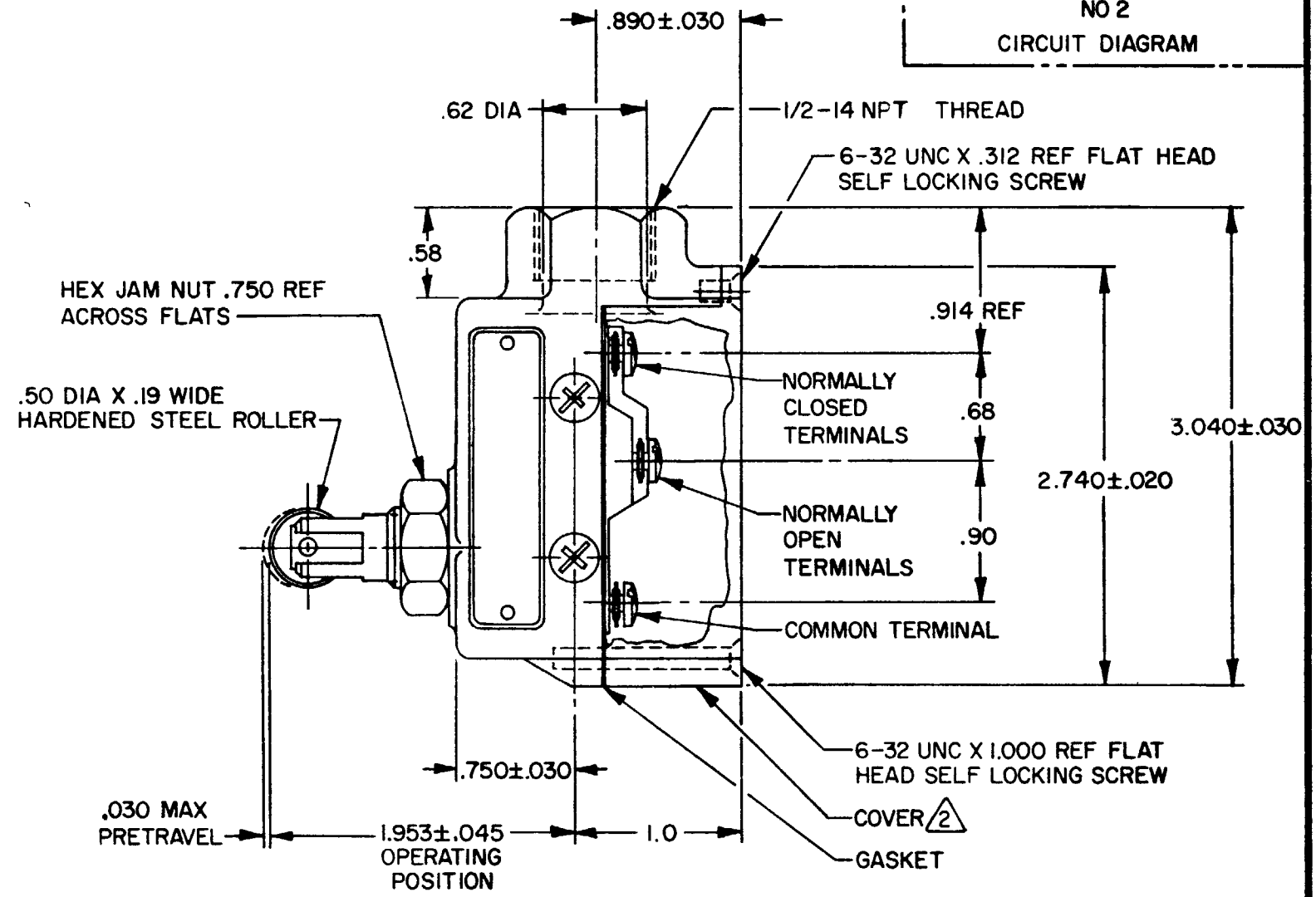
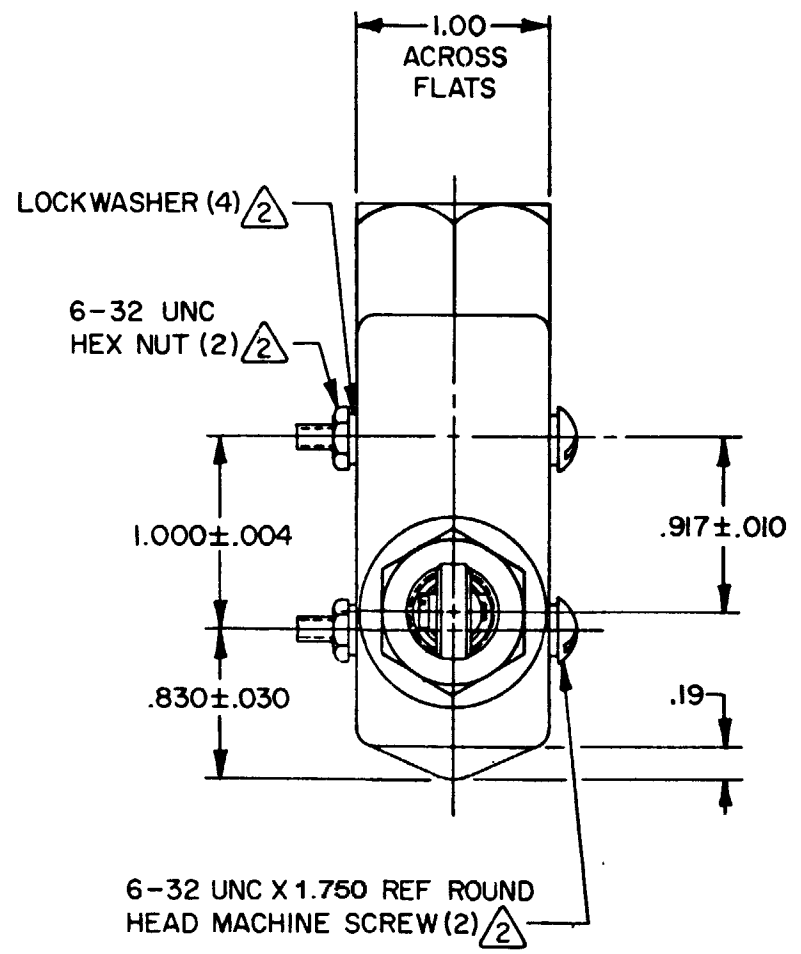
MICRO SWITCH
 FREEPORT ILLINOIS, U.S.A
 A DIVISION OF HONEYWELL
 FED. MFG. CODE 91929

SWITCH - ENCLOSED

CATALOG LISTING
BZE6-3YQ9



BZE6-3YQ9
 M
 DRAWING NUMBER
 8
 ISSUE
 PSR
 29AUG07
 CHECK
 ROB
 12 SEP 77
 CHECK
 K P K
 12 SEP 77
 CHECK
 T M M
 9 SEPT 77
 DRAWN
 FO-92851-A
 RASTER



NOTES -

- 1 - 6-32 UNC X .219 REF BINDING HEAD TERMINAL SCREW AND WASHER (SEMS)(5)
- 2 - FURNISHED UNASSEMBLED
- 3 - SEAL RATING: NEMA 1 IP40

THIS DRAWING COVERS A PROPRIETARY ITEM AND IS THE PROPERTY OF MICRO SWITCH, A DIVISION OF HONEYWELL. THIS DRAWING IS NOT TO BE COPIED OR USED WITHOUT THE APPROVAL OF MICRO SWITCH.

CHARACTERISTICS	ELECTRICAL DATA	SCALE FULL
OPERATING FORCE — 16-26 OZ	CONTACT ARRANGEMENT S P D T SPLIT CONTACT	DO NOT SCALE PRINT
RELEASE FORCE — 4 OZ MIN	CODE L4	UNLESS OTHERWISE NOTED
DIFFERENTIAL TRAVEL — .004 MAX	5A-250 VAC	DIMENSIONS ARE IN INCHES
OVERTRAVEL — .140 MIN	CE 1.5A, 240 Vac	TOLERANCES ARE:
BASIC SWITCH REPLACEMENT — BZ-3YQ69T		ONE PLACE (.0) ± .030
		TWO PLACE (.00) ± .015
		THREE PLACE (.000) ± .005
		ANGLES ± .005
		WEIGHT .56 LB