



HONEYWELL

RDS-CL-04

See full Datasheet below...

onlinecomponents.com

THE ONLINE DISTRIBUTOR OF ELECTRONIC COMPONENTS

BUY NOW



MASTERTM
ELECTRONICS

BUY NOW

masterelectronics.com & onlinecomponents.com
are **authorized** e-commerce distributors
of electronic components.

RDS-CL-04

CATALOG LISTING

M

ISSUE

2

REVISIONS

A	CO
	94358
	GRT
	17 JUN 99

CHECK

CHECK

CHECK

CHECK

SAV 25 SEPT 97

DRAWN

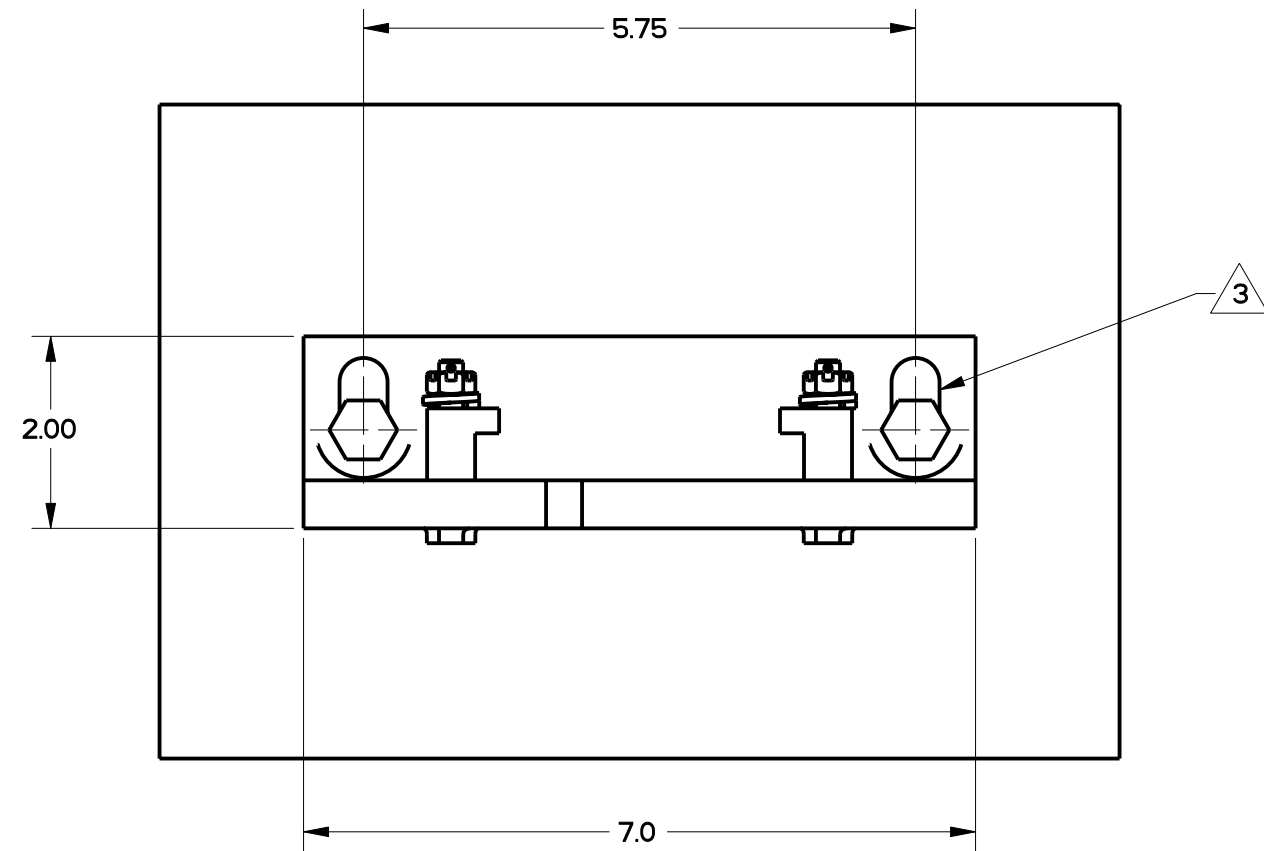
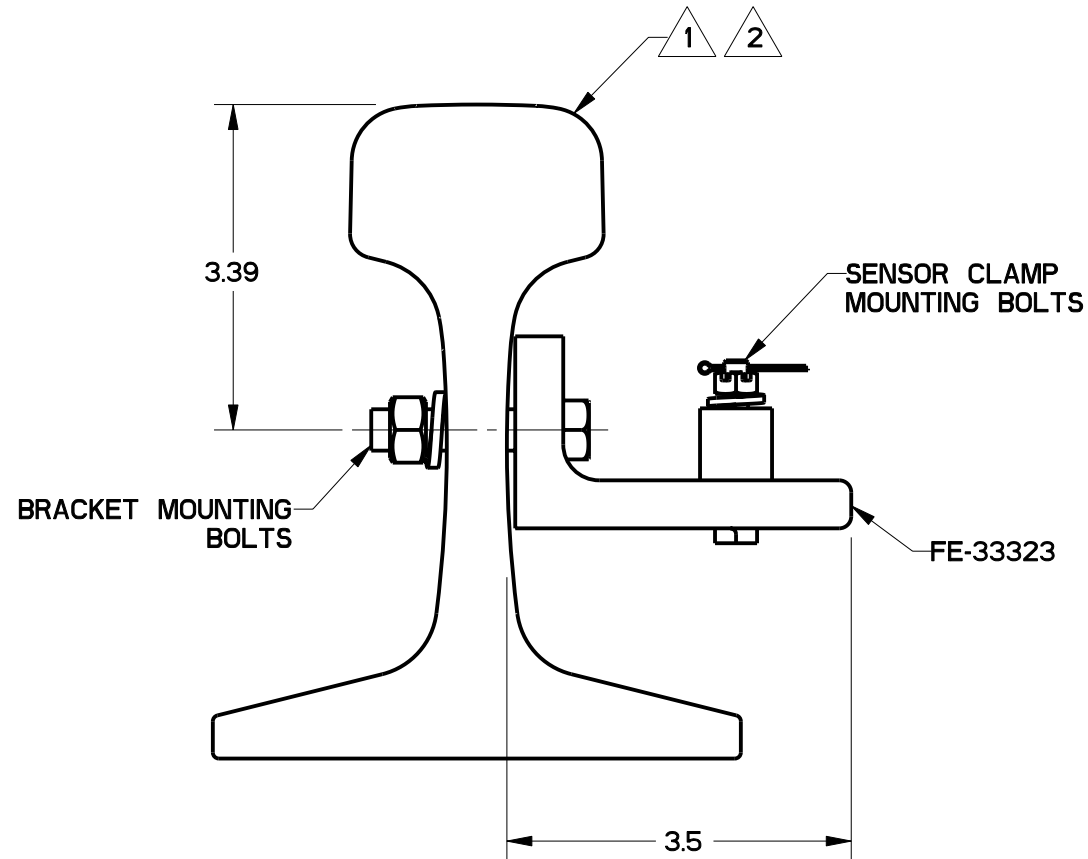
ANSI Y14.5M-1982 APPLIES

X102416-926

REPLACES

RELEASE NO. PR-22894

PAGE 1 OF 1



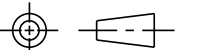
NOTES

- 1 DESIGNED TO BE MOUNTED ON RAILS:
119RE, 132RE, 133RE, 136RE AND 140RE
- 2 RAIL SECTION SHOWN FOR ILLUSTRATION
PURPOSES ONLY
- 3 SLOTS PROVIDE UP TO .5" ADJUSTMENT TO
ACCOMMODATE RAIL WEAR

MECHANICAL SPECIFICATIONS

OPERATING TEMPERATURE	-40°C TO 85°C
SHOCK	500g, HALFSINE 1.6 mSEC (IEC68-2-27)
VIBRATION	SINUSOIDAL 10-2000 Hz, 20G (IEC68-2-6) 30 MINUTES EACH AXIS FOR TEMPERATURES -40°C, 25°C AND 85°C
MOUNTING TORQUE	
BRACKET MOUNTING BOLTS	58 FT-LBS
SENSOR CLAMP MOUNTING BOLTS	7 FT-LBS

THIRD ANGLE PROJECTION



SCALE 1/2 : 1

DO NOT SCALE PRINT

UNLESS OTHERWISE SPECIFIED
TOLERANCES ARE

ONE PLACE (.0) ±.030
TWO PLACE (.00) ±.015
THREE PLACE (.000) ±.005
ANGLES ±

WEIGHT

PTC/CAD