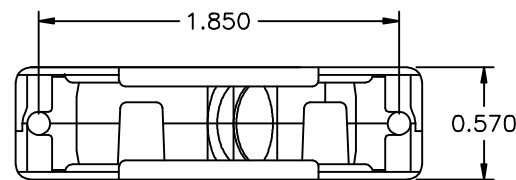
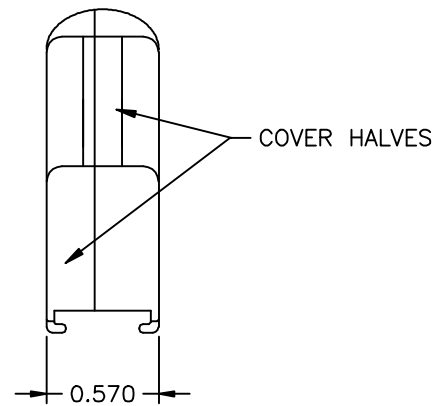
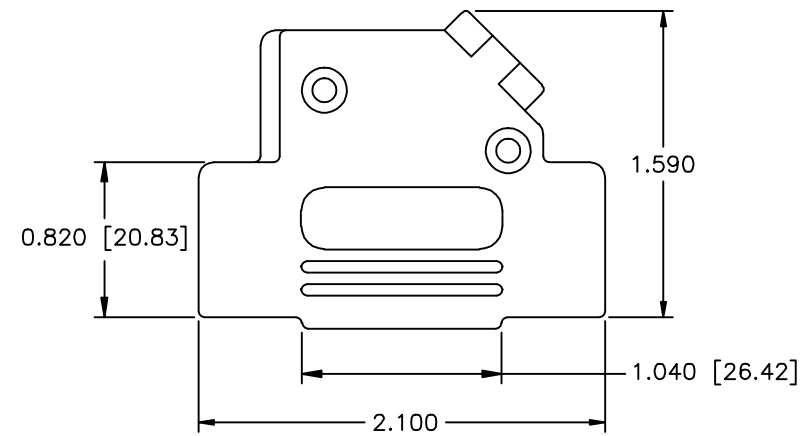


REVISIONS				
ZONE	REV	DESCRIPTION	DATE	APPROVED
	A	ECN 0636	25-SEP-07	
	B	ECN 0638	03-DEC-07	
	C	ECN 0693	25-FEB-11	



NO LOGO



PART#	THUMBSCREW	SUPPLIED
MHDE45ZK25K	#4-40 THREAD	PACKAGED
MHDE45ZK25KM25	M2.5 THREAD	PACKAGED
MHDE45ZK25KM26	M2.6 THREAD	PACKAGED
MHDE45ZK25KM3	M3 THREAD	PACKAGED

CONNECTOR COVER:

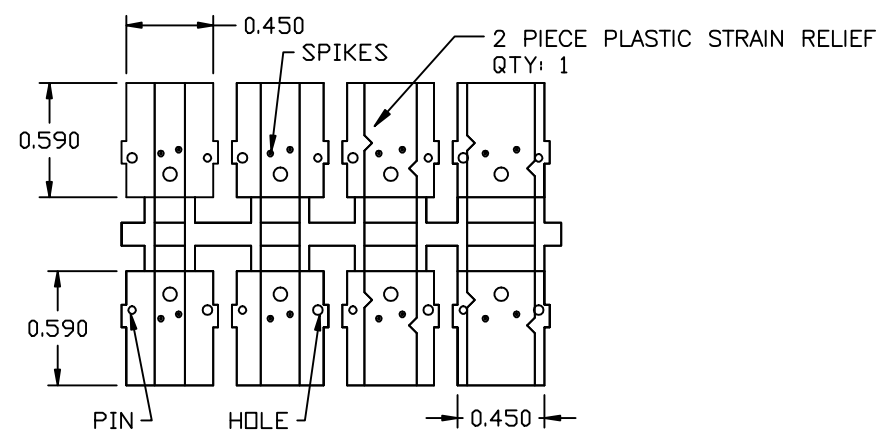
- 1.MATERIAL: ZINC DIE-CAST
- 2.FINISH: NICKEL OVER COPPER UNDERPLATE
- 3.DIMENSIONS: INCHES [MM]
- 4.TOLERANCE: ±0.015 [0.381]


COMPRESSION INSERT TREE


- 1.MATERIAL: THERMOPLASTIC
- 2.COLOR: BLACK
- 3.DUROMETER: 70 - TYPE D
- 4.DIMENSIONS: INCHES [MM]
- 5.TOLERANCE: ±0.015 [0.381]

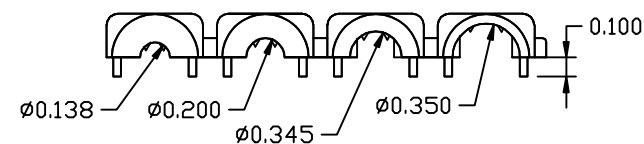
COMPLIANCE NOTE:

PART MUST BE IN COMPLIANCE TO:
DIRECTIVE 2002/95/EC [RoHS]



 M3 X 0.50mm PITCH THUMBSCREW - CR STEEL, ZINC FINISH
QTY: 2 EACH

 THUMBSCREW - STEEL, ZINC FINISH
SEE PART NUMBER INFORMATION.
QTY: 2 EACH



THIS IS A CONTROLLED DOCUMENT AND IS SUBJECT TO CHANGE. CONTACT NORTHERN TECHNOLOGIES ENGINEERING FOR THE LATEST REVISION.

UNLESS OTHERWISE SPECIFIED 1. ALL DIMENSIONS ARE IN INCHES (MM) 2. DIMENSIONS ARE TYPICAL		Northern Technologies <small>THIS DRAWING IS THE PROPERTY OF NORTHERN TECHNOLOGIES AND SHOULD NOT BE REPRODUCED WITHOUT NORTHERN TECHNOLOGIES WRITTEN PERMISSION.</small>		
DRAWN JSD 06-MAY-05		PART NUMBER SEE PART NUMBER INFORMATION DESCRIPTION CMA 25 45 DEGREE EXIT METAL COVER		
CHECKED SCN 06-MAY-05	ISSUED 06-MAY-05	SIZE B	CODE 200_114	DWG NO. 0002-200-114
		SCALE 1:1	SHEET 1 OF 1	