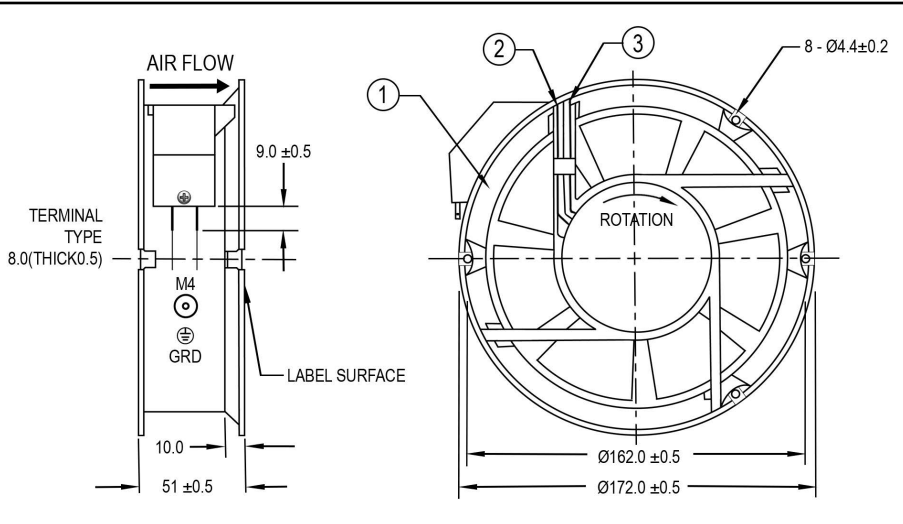


# OA172AP "XC" Series



172 x 51mm  
(6.7" x 2.0")



Frame	Diecast Aluminum	<u>Operating Temperature</u> Ball Bearing -10C ~ +70C  <u>Life Expectancy</u> Ball Bearing 60,000 hours (L10 at 40C)  <u>Approvals</u> UL/cUL: E170149 TUV: R50133700 CE	
Impeller	PBT, UL94V-O plastic		
Connection	Terminals		
Motor	Capacitor drive, impedance and thermally protected		
Bearing System	Dual ball [ NSK or NMB ]		
Insulation Resistance	>100M ohm between lead-wire and frame (500VDC)		
Dielectric Strength	1 min at 1500 VAC, 50/60Hz		

Part Number	OA172AP-11-1TB XC	OA172AP-22-1TB XC
Nominal Voltage	115 VAC	230 VAC
Voltage Range	80 ~ 125 VAC	220 ~ 240 VAC
Frequency (Hz)	50/60	50/60
Rated Power	46 / 50 W	46 / 50 W
Rated Speed (RPM)	2600 / 3300	2600 / 3300
Airflow (CFM)	257 / 300	257 / 300
Noise Level (dB)	56 / 61	56 / 61
Max. Static Pressure	0.63" / 0.78" H <sub>2</sub> O	0.63" / 0.78" H <sub>2</sub> O