

Module carrier - AXL F BP SE6 - 1088136

Please be informed that the data shown in this PDF Document is generated from our Online Catalog. Please find the complete data in the user's documentation. Our General Terms of Use for Downloads are valid (<http://phoenixcontact.com/download>)

Axioline F, Backplane, 6 slots for Axioline Smart Elements, transmission speed in the local bus: 100 Mbps, degree of protection: IP20



Product Description


The Axioline F backplane is intended for use in a station that is opened by an Axioline F bus coupler or an Axiocontrol. The backplane has six "Smart Element Interface" slots to accept Axioline Smart Elements.

Your advantages

- 6 slots for Axioline Smart Elements
- Preparing the communications power supply for the plugged-in Axioline Smart Elements
- Supply feed-in for the peripheral supply U_p for the plugged in Axioline Smart Elements



Key Commercial Data

Packing unit	1 pc
GTIN	 4 0 5 5 6 2 6 8 8 6 3 8 1
GTIN	4055626886381
Weight per Piece (excluding packing)	140.000 g
Custom tariff number	85389091
Country of origin	Germany

Technical data

Note

Utilization restriction	EMC: class A product, see manufacturer's declaration in the download area
-------------------------	---

Dimensions

Caption	Dimensions (in mm)
---------	--------------------

Module carrier - AXL F BP SE6 - 1088136

Technical data

Dimensions

Width	55 mm
Height	122.4 mm
Depth	36.9 mm
Note on dimensions	The depth is valid when a TH 35-7,5 DIN rail is used (according to EN 60715).
Complete module width	55 mm
Complete module height	124.6 mm
Complete module depth	76.1 mm
Note on dimensions	The depth is valid when a TH 35-7,5 DIN rail is used (according to EN 60715).

Ambient conditions

Ambient temperature (operation)	-25 °C ... 60 °C
Ambient temperature (storage/transport)	-40 °C ... 85 °C
Permissible humidity (operation)	5 % ... 95 % (non-condensing)
Permissible humidity (storage/transport)	5 % ... 95 % (non-condensing)
Air pressure (operation)	70 kPa ... 106 kPa (up to 3000 m above sea level)
Air pressure (storage/transport)	70 kPa ... 106 kPa (up to 3000 m above sea level)
Degree of protection	IP20

General

Mounting type	DIN rail
Color	traffic grey A RAL 7042
Net weight	112 g
Degree of pollution	2 (EN 60664-1)
Mounting position	Wall mounting on horizontal or vertical DIN rail

Interfaces

Designation	Axiline F local bus
No. of channels	2
Connection method	Bus base module
Transmission speed	100 Mbps
Designation	Smart Element interface
No. of channels	6
Connection method	Card edge connector

Axiline potentials

Designation	Axiline F local bus supply (U_{Bus})
Supply voltage	5 V DC
Power consumption	max. 745 mW (without connected Smart Elements)

Module carrier - AXL F BP SE6 - 1088136

Technical data

AxioLine potentials

Designation	Communications power supply of the Smart Elements (U_{SE})
Additional text	Using card edge connectors
Designation	I/O supply feed-in (U_P)
Supply voltage	24 V DC
Supply voltage range	19.2 V DC ... 30 V DC (including all tolerances, including ripple)
Current consumption	min. 1.5 mA (without connected Smart Elements, with nominal voltage) max. 16 A (provide external protection)
Power consumption	max. 480 W
Protective circuit	Surge protection Suppressor diode
Protection	max. 16 A

Electrical isolation

Test section	5 V supply of the local bus (U_{BUS}) / 24 V supply (I/Os) 500 V AC 50 Hz 1 min.
	5 V supply of the local bus (U_{BUS}) / functional ground 500 V AC 50 Hz 1 min.
	24 V supply (I/O) / functional earth ground 500 V AC 50 Hz 1 min.

Standards and Regulations

Mechanical tests	Vibration resistance in acc. with EN 60068-2-6/IEC 60068-2-6 5g
	Shock in acc. with EN 60068-2-27/IEC 60068-2-27 30g
	Continuous shock according to EN 60068-2-27/IEC 60068-2-27 10g
Protection class	III (IEC 61140, EN 61140, VDE 0140-1)
Overvoltage category	II (IEC 60664-1)

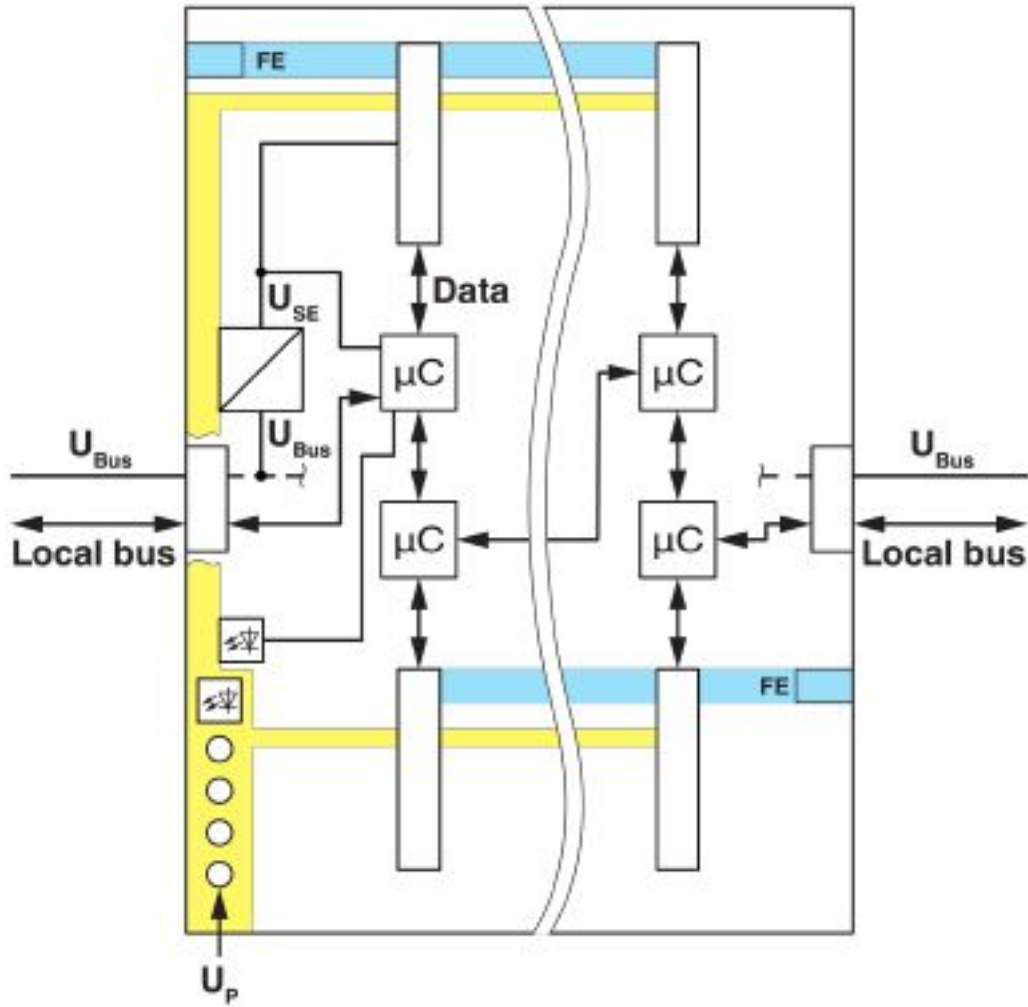
Environmental Product Compliance

REACH SVHC	Lead 7439-92-1
China RoHS	Environmentally Friendly Use Period = 50 years
	For details about hazardous substances go to tab "Downloads", Category "Manufacturer's declaration"

Drawings

Module carrier - AXL F BP SE6 - 1088136

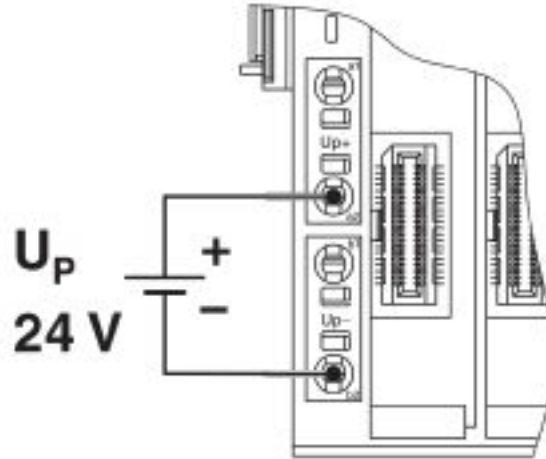
Block diagram



Basic circuit diagram

Module carrier - AXL F BP SE6 - 1088136

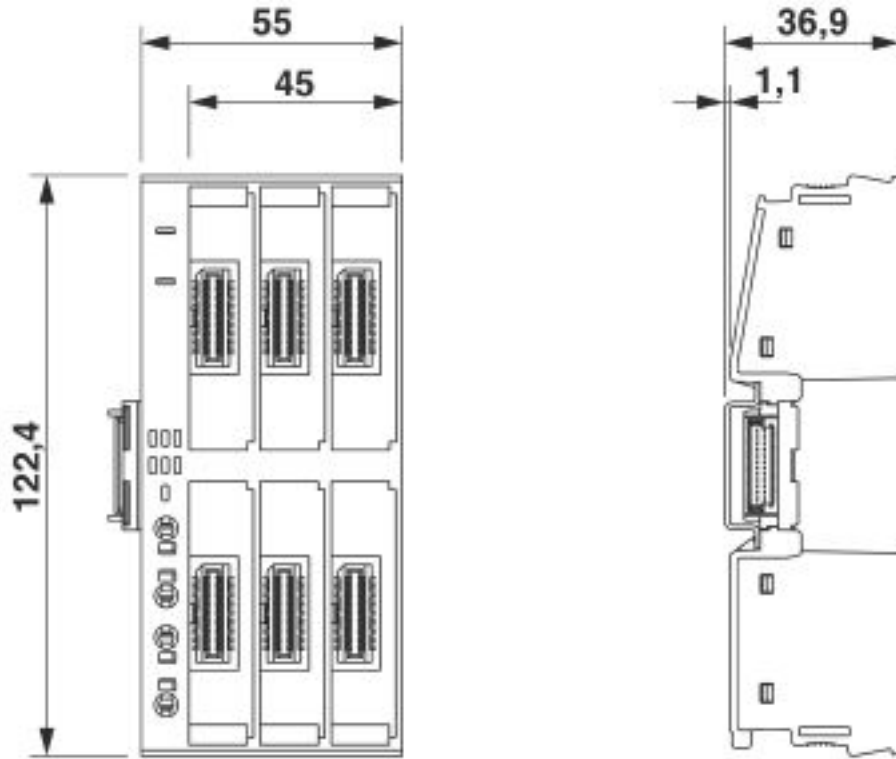
Connection diagram



Connection example

Module carrier - AXL F BP SE6 - 1088136

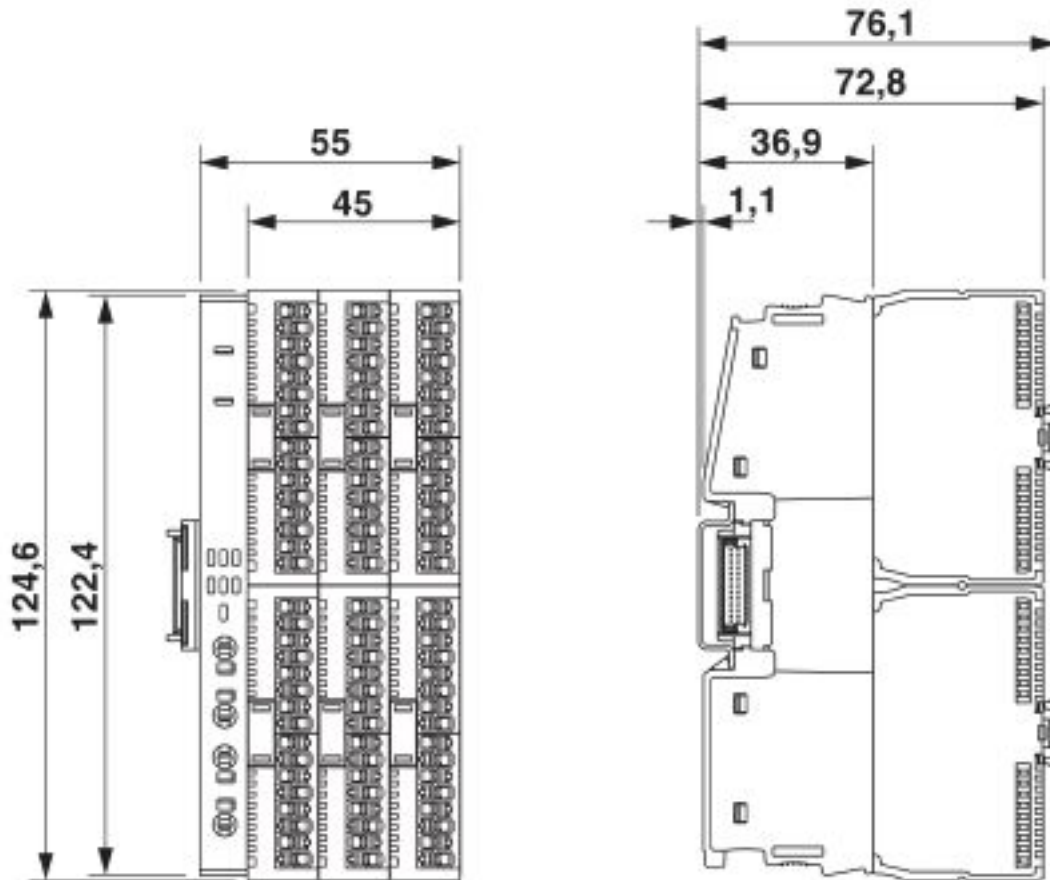
Dimensional drawing



Dimensions (in mm)

Module carrier - AXL F BP SE6 - 1088136

Dimensional drawing



Dimensions (in mm) with attached Axiline Smart Elements

Classifications

eCl@ss

eCl@ss 10.0.1	27141152
eCl@ss 8.0	27141152
eCl@ss 9.0	27141152

ETIM

ETIM 5.0	EC002780
----------	----------

Accessories

Accessories

Module carrier - AXL F BP SE6 - 1088136

Accessories

End block

End clamp - CLIPFIX 35 - 3022218



Quick mounting end clamp for NS 35/7,5 DIN rail or NS 35/15 DIN rail, with marking option, width: 9.5 mm, color: gray

End clamp - E/AL-NS 35 - 1201662



End clamp, for end support of UKH 50 to UKH 240, is pushed onto DIN rail NS 35 and fixed with 2 screws, width: 10 mm, color: aluminum

Shield connection

Shield connection - AXL SHIELD SET - 2700518



Axiline shield connection set (contains 2 shield bus holders and 2 SK 5 shield connection clamps)

Terminal marking

Label - MM-TML (EX4,2)R C1 TR/BK - 0803979



Label, continuous, cassette, transparent with black imprint, mounting type: adhesive, can be marked with THERMOFOX

Module carrier - AXL F BP SE6 - 1088136

Accessories

Marker strip - SK 5,0 WH:REEL - 0805221



Marker strip, Roll, white, unlabeled, can be labeled with: THERMOMARK ROLL 2.0, THERMOMARK ROLL, THERMOMARK ROLL X1, THERMOMARK ROLLMASTER 300/600, THERMOMARK X1.2, mounting type: adhesive, for terminal block width: 5 mm, lettering field size: continuous x 5 mm, Number of individual labels: 90000

Marker for terminal blocks - UM6M-TM (5X12) - 0830928



Markers for marking terminal blocks from ABB/Entelec, 24-section, unmarked, can be marked with THERMOMARK CARD and BLUEMARK, color: white

Marker for terminal blocks from the SNK series from ABB - UCT6M-TM 5 - 0830756



Marker for terminal blocks from the SNK series from ABB, Sheet, white, unlabeled, can be labeled with: THERMOMARK CARD, THERMOMARK CARD 2.0, THERMOMARK PRIME, BLUEMARK ID, BLUEMARK ID COLOR, TOPMARK LASER, TOPMARK NEO, mounting type: snap into tall marker groove, for terminal block width: 5.2 mm, lettering field size: 4.17 x 11.3 mm