

Housing - HC-MOD-K-TMS-M1M20-G-PE - 1408520

Please be informed that the data shown in this PDF Document is generated from our Online Catalog. Please find the complete data in the user's documentation. Our General Terms of Use for Downloads are valid (<http://phoenixcontact.com/download>)



HEAVYCON plastic sleeve housing, for modules for one module slot, with PE marking for pos. 1, with snap locking



Key Commercial Data

Packing unit	1 STK
Minimum order quantity	2 STK
GTIN	 4 046356 619264
GTIN	4046356619264
Weight per Piece (excluding packing)	40.000 g
Custom tariff number	85389099
Country of origin	Germany

Technical data

Dimensions

Height	57.9 mm
Width	60 mm
Length	21.8 mm
External cable diameter	6 mm ... 13 mm

Ambient conditions

Degree of protection of housing (IP)	IP65 (When plugged in)
Ambient temperature (operation)	-40 °C ... 85 °C

General

Color	light gray
-------	------------

Housing - HC-MOD-K-TMS-M1M20-G-PE - 1408520

Technical data

General

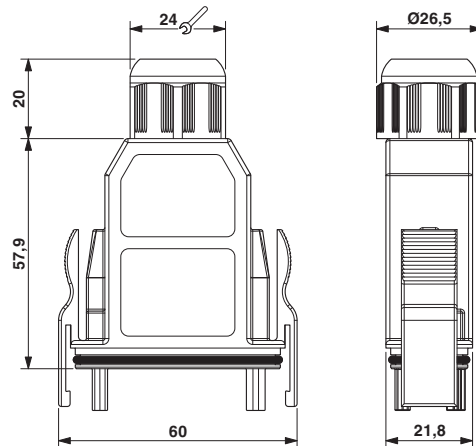
Locking type	Clip locking
No. of cable outlets	1
Cable exit	straight
Screw connection	with
Type of the screw connection	1x M20
Housing material	Polycarbonate
Cable gland material	Polyamide
Cable seal material	NBR
Flammability rating according to UL 94	V0
Assembly instructions	For housing with PE marking, pos. 1 of the module is used as PE

Standards and Regulations

Flammability rating according to UL 94	V0
--	----

Drawings

Dimensional drawing



Dimensional drawing

Classifications

eCl@ss

eCl@ss 4.0	23090101
eCl@ss 4.1	23090101
eCl@ss 5.0	23090101

Housing - HC-MOD-K-TMS-M1M20-G-PE - 1408520

Classifications

eCl@ss

eCl@ss 5.1	23090101
eCl@ss 6.0	23090101
eCl@ss 7.0	23090101
eCl@ss 8.0	27440202
eCl@ss 9.0	27440202

ETIM

ETIM 4.0	EC000437
ETIM 5.0	EC000437
ETIM 6.0	EC000437

UNSPSC

UNSPSC 6.01	31161807
UNSPSC 7.0901	31161807
UNSPSC 11	31161807
UNSPSC 12.01	31161807
UNSPSC 13.2	31261501

Approvals

Approvals

Approvals

EAC

Ex Approvals

Approval details

EAC		7500651.22.01.00246
-----	--	---------------------

Accessories

Accessories

Coding element

Housing - HC-MOD-K-TMS-M1M20-G-PE - 1408520

Accessories

Coding profile - HC-MOD-K-CP - 1408562



Coding profile for HC-MOD-K... housing