

Network cable - NBC-FSBP/0,4-94B/R4AC - 1410277

Please be informed that the data shown in this PDF Document is generated from our Online Catalog. Please find the complete data in the user's documentation. Our General Terms of Use for Downloads are valid (<http://phoenixcontact.com/download>)



Assembled Ethernet cable, shielded, 4-pair, 26 AWG stranded (7-wire), RAL 5021 (water blue), M12 flush-type socket, rear/screw mounting with M16 thread to RJ45 connector/IP20, line, length 0.4 m

RoHS

Ethernet

Key Commercial Data

Packing unit	1 pc
Minimum order quantity	50 pc
GTIN	 4 046356 893824
GTIN	4046356893824
Weight per Piece (excluding packing)	60.000 g
Custom tariff number	85444210
Country of origin	Poland

Technical data

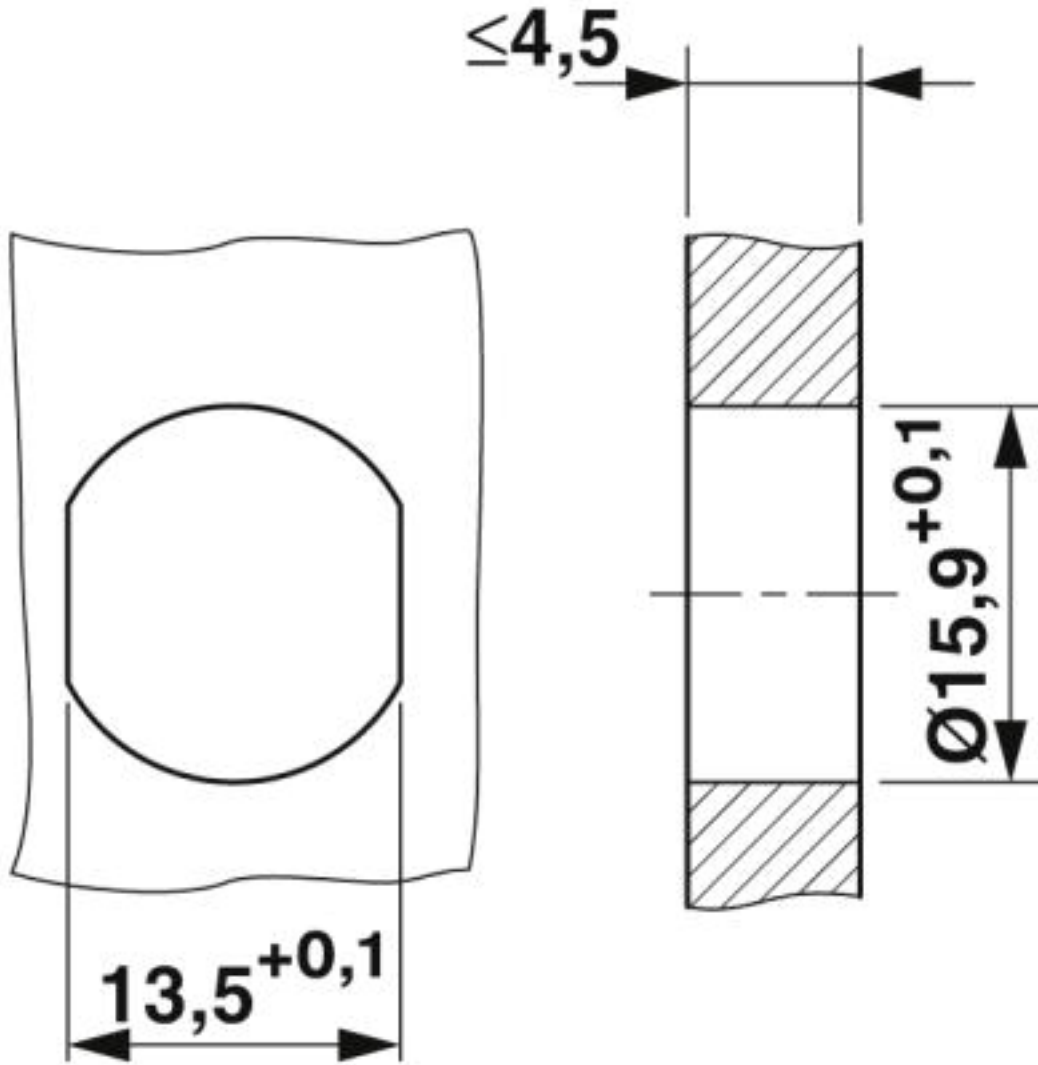
Environmental Product Compliance

REACH SVHC	Lead 7439-92-1
China RoHS	Environmentally Friendly Use Period = 50 years
	For details about hazardous substances go to tab "Downloads", Category "Manufacturer's declaration"

Drawings

Network cable - NBC-FSBP/0,4-94B/R4AC - 1410277

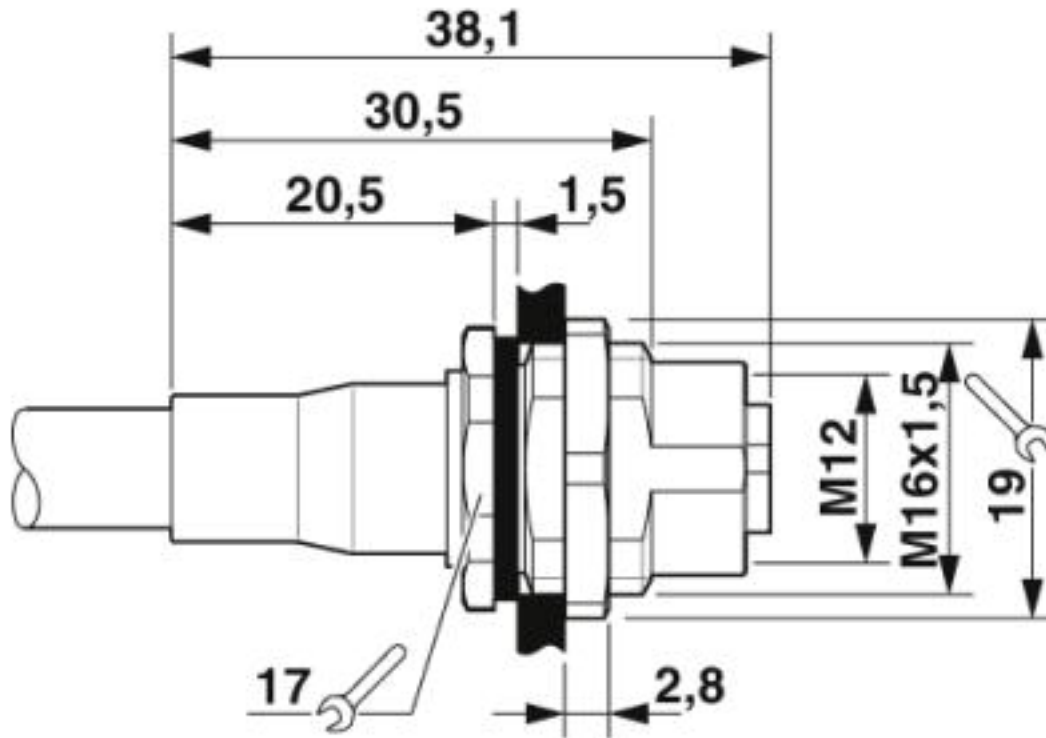
Dimensional drawing



Housing cutout for M16 fastening thread, mounting panel with feed-through hole (alternatively with surface as protection against rotation)

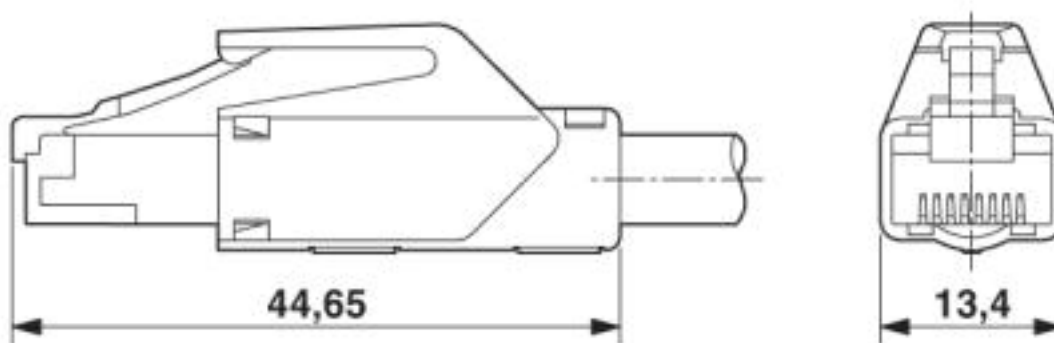
Network cable - NBC-FSBP/0,4-94B/R4AC - 1410277

Dimensional drawing



M12 flush-type connector

Dimensional drawing



Classifications

eCl@ss

eCl@ss 4.0	27378000
eCl@ss 4.1	27378000

Network cable - NBC-FSBP/0,4-94B/R4AC - 1410277

Classifications

eCl@ss

eCl@ss 5.0	27379100
eCl@ss 5.1	27379100
eCl@ss 6.0	27379200
eCl@ss 7.0	27379201
eCl@ss 8.0	27379201
eCl@ss 9.0	27141137

ETIM

ETIM 4.0	EC002498
ETIM 5.0	EC002498
ETIM 6.0	EC000761
ETIM 7.0	EC000761

UNSPSC

UNSPSC 13.2	39131505
UNSPSC 18.0	39131505
UNSPSC 19.0	39131505
UNSPSC 20.0	39131505
UNSPSC 21.0	39131505

Approvals

Approvals

Approvals

EAC

Ex Approvals

Approval details

EAC		B.01687
-----	---	---------