

Counter nut - A-INL-PG36-N-S - 1411264

Please be informed that the data shown in this PDF Document is generated from our Online Catalog. Please find the complete data in the user's documentation. Our General Terms of Use for Downloads are valid (<http://phoenixcontact.com/download>)

Counter nut, material: Brass, nickel-plated, for threads Pg36, color: silver



RoHS

Key Commercial Data

Packing unit	1 pc
GTIN	
GTIN	4046356923958
Weight per Piece (excluding packing)	21.600 g
Custom tariff number	74153300
Country of origin	Germany

Technical data

Dimensions

Length	5 mm
Connecting thread diameter	47 mm
Wrench size, counter nut	51 mm
Hexagon angular dimension	56 mm

Ambient conditions

Ambient temperature (operation)	-70 °C ... 220 °C
---------------------------------	-------------------

General

Material	Brass, nickel-plated
Thread type on connection side	Pg36
Color	silver

Counter nut - A-INL-PG36-N-S - 1411264

Technical data

Standards and Regulations

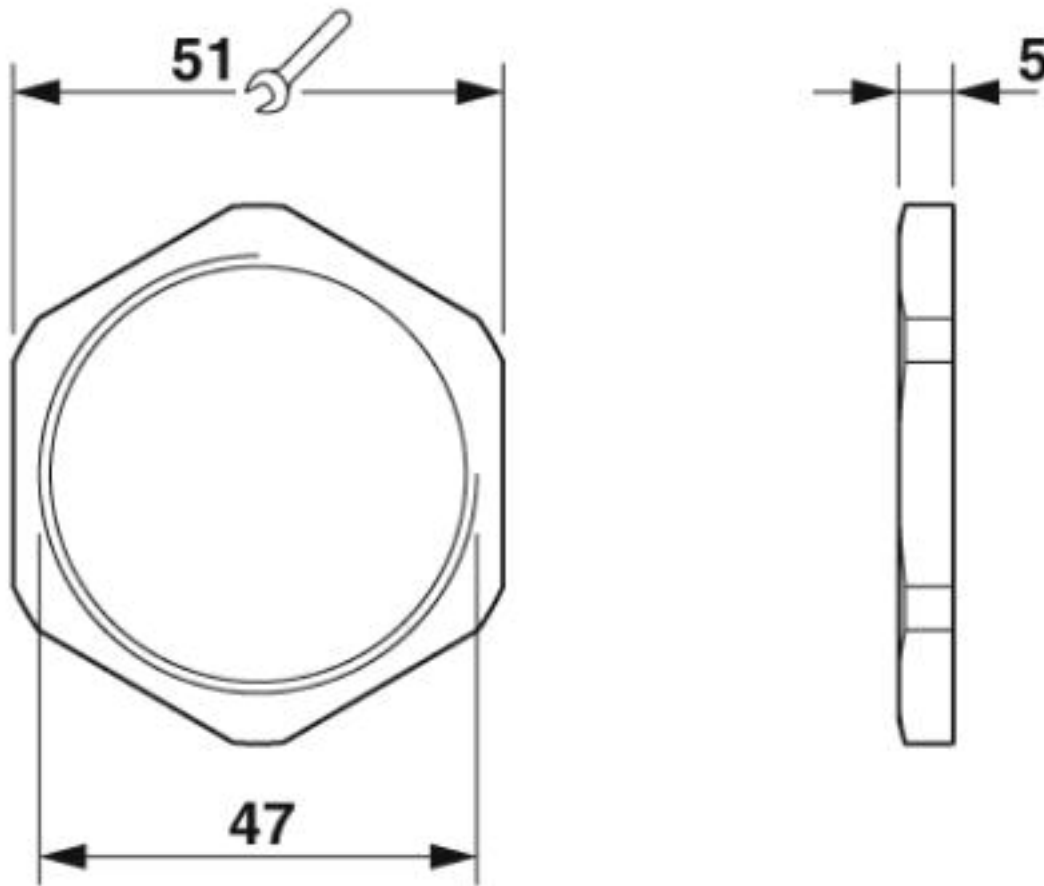
Halogen-free	yes
--------------	-----

Environmental Product Compliance

	Lead 7439-92-1
China RoHS	Environmentally Friendly Use Period = 50
	For details about hazardous substances go to tab "Downloads", Category "Manufacturer's declaration"

Drawings

Dimensional drawing



Counter nut - A-INL-PG36-N-S - 1411264

Classifications

eCl@ss

eCl@ss 10.0.1	27144424
eCl@ss 4.0	27141200
eCl@ss 4.1	27141200
eCl@ss 5.0	27149100
eCl@ss 5.1	27149100
eCl@ss 6.0	27149100
eCl@ss 7.0	27069219
eCl@ss 8.0	27069219
eCl@ss 9.0	27144424

ETIM

ETIM 4.0	EC000032
ETIM 5.0	EC000129
ETIM 6.0	EC000940
ETIM 7.0	EC000940

UNSPSC

UNSPSC 13.2	31161716
UNSPSC 18.0	31161716
UNSPSC 19.0	31161716
UNSPSC 20.0	31161716
UNSPSC 21.0	31161716