

Connector set - HC-EVO-B24PT-BWSC-HH-M32ELC-AL - 1411493


Please be informed that the data shown in this PDF Document is generated from our Online Catalog. Please find the complete data in the user's documentation. Our General Terms of Use for Downloads are valid (<http://phoenixcontact.com/download>)



EVO connector set, B24 series, metal housing, consisting of sleeve housing 1411473, panel mounting base 1411330, EVO screw connection 1411440, pin contact insert 1407736, socket contact insert 1407735



Key Commercial Data

Packing unit	1 pc
GTIN	 4 046356 932936
GTIN	4046356932936
Weight per Piece (excluding packing)	840.000 g
Custom tariff number	85366990
Country of origin	Germany

Technical data

General

Number of positions	24+PE
Type	B24
Connection method	Push-in connection
Cable outlet	straight
	lateral
Degree of protection for housing	IP66
	IP67
	4 (UL 50e)
	4X (UL 50e)
	12 (UL 50e)
Connection method	Push-in connection

Connector set - HC-EVO-B24PT-BWSC-HH-M32ELC-AL - 1411493

Technical data

General

Rated voltage (III/3)	500 V
Rated surge voltage	6 kV
Rated current	16 A
Conductor cross section	0.14 mm ² ... 2.5 mm ² (with ferrule)
Connection cross section AWG	26 ... 14
External cable diameter	14 mm ... 21 mm
Ambient temperature (operation)	-40 °C ... 100 °C
Length of the assembly cutout	113 mm
Width of the assembly cutout	35 mm
Housing material	Die-cast aluminum, corrosion resistant
Contact carrier material	PA
Locking latch material	PA
Integrated protective cover	Yes

Standards and Regulations

Flammability rating according to UL 94	V0
--	----

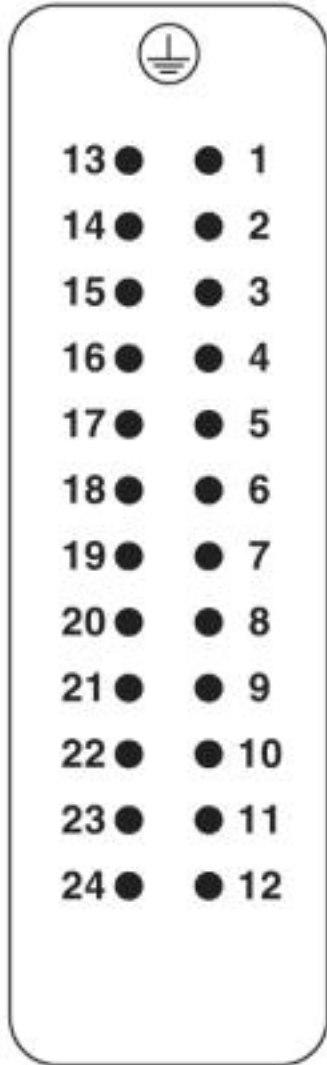
Environmental Product Compliance

	Lead 7439-92-1
--	----------------

Drawings

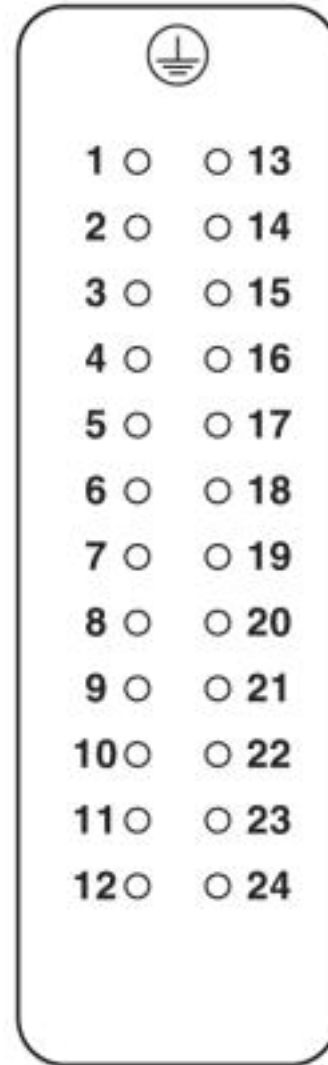
Connector set - HC-EVO-B24PT-BWSC-HH-M32ELC-AL - 1411493

Schematic diagram



Pin assignment, connection side, pin

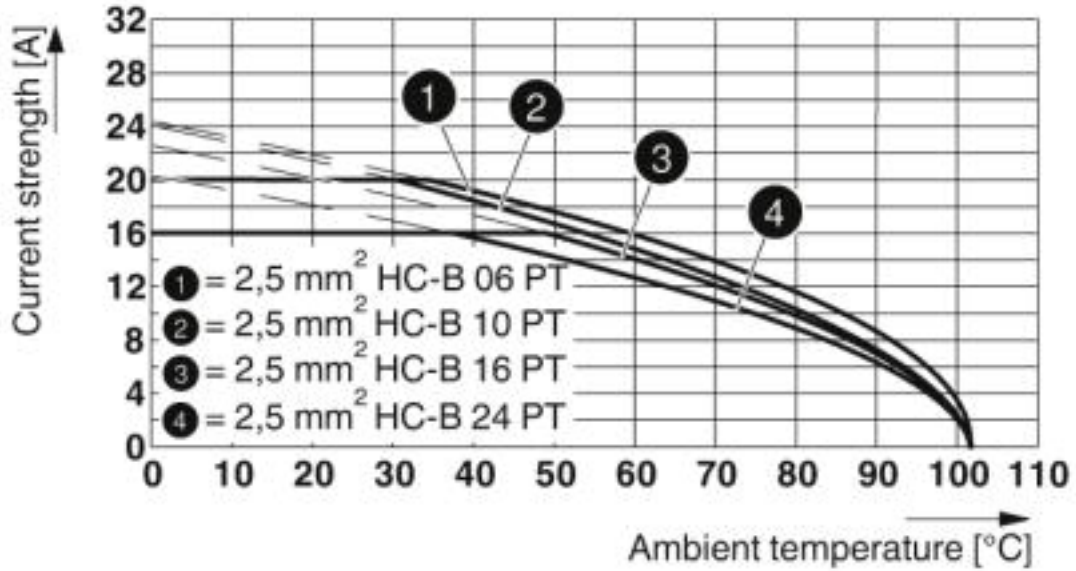
Schematic diagram



Pin assignment, connection side, socket

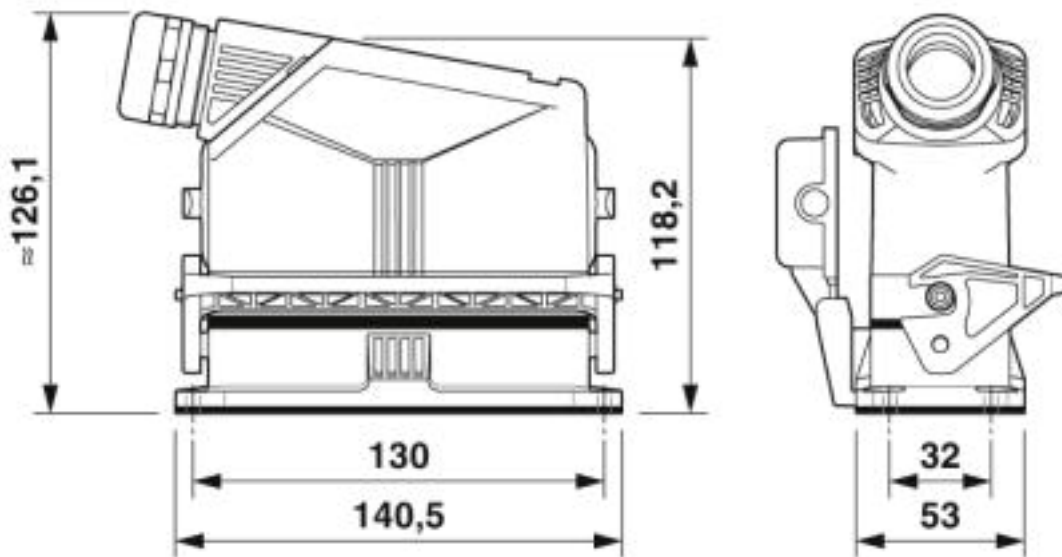
Connector set - HC-EVO-B24PT-BWSC-HH-M32ELC-AL - 1411493

Diagram



Derating diagram

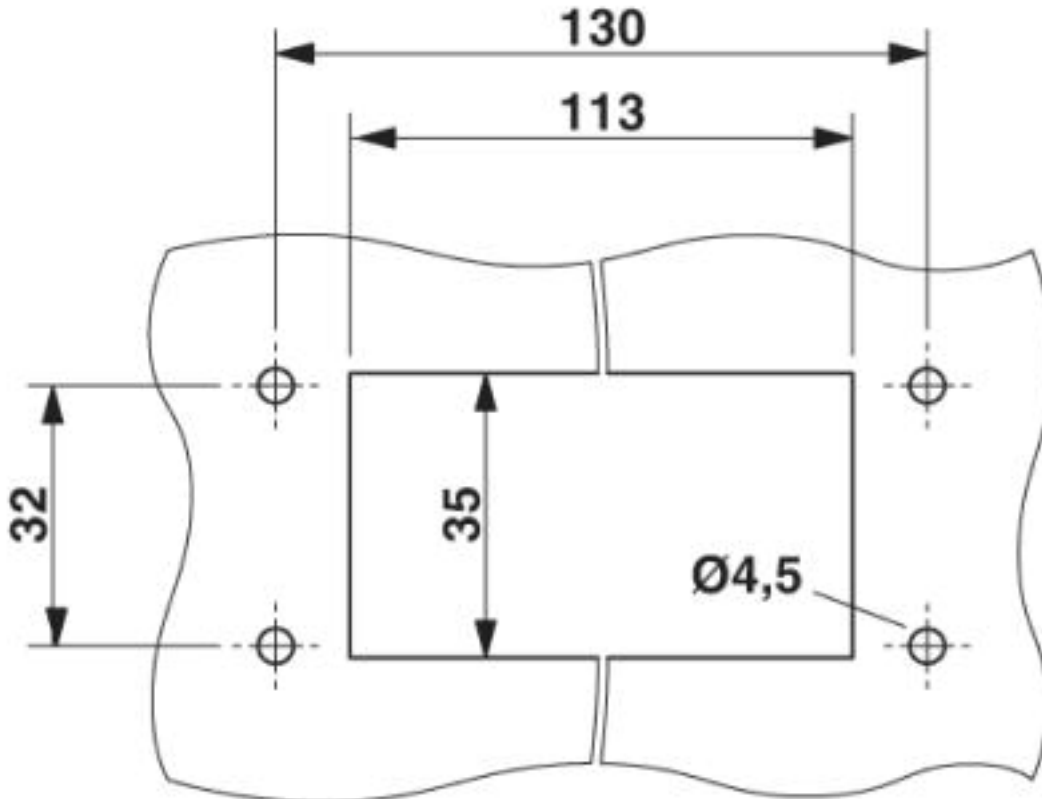
Dimensional drawing



Dimensional drawing

Connector set - HC-EVO-B24PT-BWSC-HH-M32ELC-AL - 1411493

Dimensional drawing



Mounting cutout

Articles in set

Contact insert - HC-B24-I-PT-F - 1407735



Contact insert, number of positions: 24+PE, size: B24, number of connections per position: 1, Socket, Push-in connection, 500 V, 16 A, 0.14 mm² ... 2.5 mm², application: Power

Contact insert - HC-B24-I-PT-M - 1407736



HEAVYCON pin insert, B24 series, 24 + PE-pos., push-in connection

Connector set - HC-EVO-B24PT-BWSC-HH-M32ELC-AL - 1411493

Articles in set

Cable gland - HC-B-G-M32-EC-AL - 1411440



EVO EMC cable gland with bayonet locking, B series, size M32, cable diameter: 14 - 21 mm

Housing - HC-STA-B24-BWSC-ELC-AL - 1411330



HEAVYCON B24 panel mounting base, with single locking latch, with plastic protective cover, with flat gasket, salt-water-resistant aluminum, conductive profile gasket.

Housing - HC-EVO-B24-HHFS-EL-AL - 1411473



HEAVYCON EVO sleeve housing, EMC version, without powder coating, with bayonet flange for EVO screw connection, B24, for single locking latch, height: 88 mm, without EVO screw connection.

Classifications

eCl@ss

eCl@ss 4.0	27260700
eCl@ss 4.1	27260700
eCl@ss 5.0	27260700
eCl@ss 5.1	27260700
eCl@ss 6.0	27260700
eCl@ss 7.0	27440101
eCl@ss 8.0	27440101
eCl@ss 9.0	27440101

ETIM

ETIM 4.0	EC002641
ETIM 5.0	EC002636

Connector set - HC-EVO-B24PT-BWSC-HH-M32ELC-AL - 1411493

Classifications

ETIM

ETIM 6.0	EC002636
ETIM 7.0	EC002636

UNSPSC

UNSPSC 13.2	39121409
-------------	----------

Approvals

Approvals

Approvals

EAC / EAC / DNV GL

Ex Approvals

Approval details

EAC		RU C- DE.AI30.B.01102
-----	--	--------------------------

EAC		EAC-Zulassung
-----	--	---------------

DNV GL		https://approvalfinder.dnvgl.com/	TAE000037S
--------	--	---	------------

Accessories

Accessories

Device marking

Connector set - HC-EVO-B24PT-BWSC-HH-M32ELC-AL - 1411493

Accessories

Plastic label - US-EMLP-HA (20X9) - 0830989



Plastic label, Card, white, unlabeled, can be labeled with: BLUEMARK ID COLOR, BLUEMARK ID, THERMOMARK PRIME, THERMOMARK CARD 2.0, THERMOMARK CARD, mounting type: adhesive, lettering field size: 20 x 9 mm, Number of individual labels: 70

Housing latches

Single locking latch - HC-B24-SL-PLBK - 1407701



Replacement single locking latch for HEAVYCON EVO housing type B24, PA