

## Power cable - SAC-3P- 2,0-PVC/M12FRS PE - 1411649

Please be informed that the data shown in this PDF Document is generated from our Online Catalog. Please find the complete data in the user's documentation. Our General Terms of Use for Downloads are valid (<http://phoenixcontact.com/download>)



Power cable, 3-position, PVC, black, free cable end, on Socket angled M12, coding: S, cable length: 2 m, for AC current up to 16 A/230 V

### Your advantages

- ✓ Easy and safe: 100% electrically tested plug-in components
- ✓ High-performance: AC connectors for up to 16 A and 230 V AC
- ✓ Protection against incorrect connection using special S-coding



### Key Commercial Data

Packing unit	1 pc
GTIN	
GTIN	4046356936750
Weight per Piece (excluding packing)	200.000 g
Custom tariff number	85444290
Country of origin	Germany

### Technical data

#### Dimensions

Length of cable	2 m
-----------------	-----

#### Ambient conditions

Ambient temperature (operation)	-25 °C ... 85 °C (Plug / socket)
	-25 °C ... 85 °C (Plug / socket)
Degree of protection	IP65
	IP67 (without preloading, as additional test in accordance with IEC 60529)

## Power cable - SAC-3P- 2,0-PVC/M12FRS PE - 1411649

### Technical data

#### General

Rated current at 40°C	16 A
Rated voltage	230 V AC
	230 V DC
Number of positions	3
Color handle area	black
Insulation resistance	≥ 100 MΩ
Coding	S power
Standards/regulations	M12 connector IEC 61076-2-111
Status display	No
Protective circuit/component	unwired
Overvoltage category	III
Degree of pollution	3
Insertion/withdrawal cycles	> 100
Torque	0.4 Nm (M12 connector)

#### Material

Flammability rating according to UL 94	V0
Contact material	CuZn
Contact surface material	Ni/Au
Contact carrier material	PA
Material of grip body	PP
Material, knurls	Zinc die-cast, nickel-plated

#### Standards and Regulations

Standards/specifications	M12 connector IEC 61076-2-111
Flammability rating according to UL 94	V0
Standards/specifications	M12 connector IEC 61076-2-111

#### Cable

Cable type	PVC black
Cable type (abbreviation)	PVC
Cable abbreviation	LSYwYw-JZ
UL AWM style	2517 (105 °C / 300 V)
Conductor cross section	3x 1.5 mm <sup>2</sup>
AWG power supply	16
Conductor structure, voltage supply	30x 0.25 mm
Core diameter including insulation	2.4 mm ±0.1 mm
Wire colors	black 1, black 2, green/yellow
Overall twist	3 wires, twisted

# Power cable - SAC-3P- 2,0-PVC/M12FRS PE - 1411649

## Technical data

### Cable

External cable diameter D	6.8 mm ±0.2 mm
Minimum bending radius, fixed installation	5 x D
Minimum bending radius, flexible installation	12 x D
Cable weight	80 kg/km
External sheath, color	black
Outer sheath, material	PVC
Material conductor insulation	PVC
Conductor material	Bare Cu litz wires
Insulation resistance	≥ 10 MΩ*km (at 20 °C)
Conductor resistance	≤ 13.3 Ω/km (at 20 °C)
Nominal voltage, cable	300 V AC
Test voltage, cable	2000 V AC
Flame resistance	according to IEC 60332-1
	According to DIN EN 60332-1-2
	According to VW-1
	According to FT1
Ambient temperature (operation)	-40 °C ... 90 °C (cable, fixed installation)
	-5 °C ... 90 °C (Cable, flexible installation)

### Environmental Product Compliance

REACH SVHC	Lead 7439-92-1
China RoHS	Environmentally Friendly Use Period = 50 years
	For details about hazardous substances go to tab "Downloads", Category "Manufacturer's declaration"

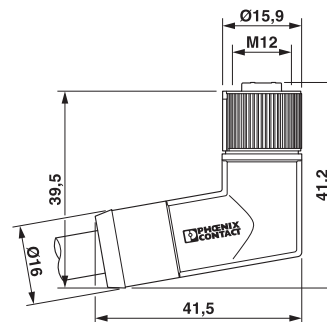
## Drawings

Schematic diagram



Pin assignment of M12 socket, 3-pos., S-coded, socket side view

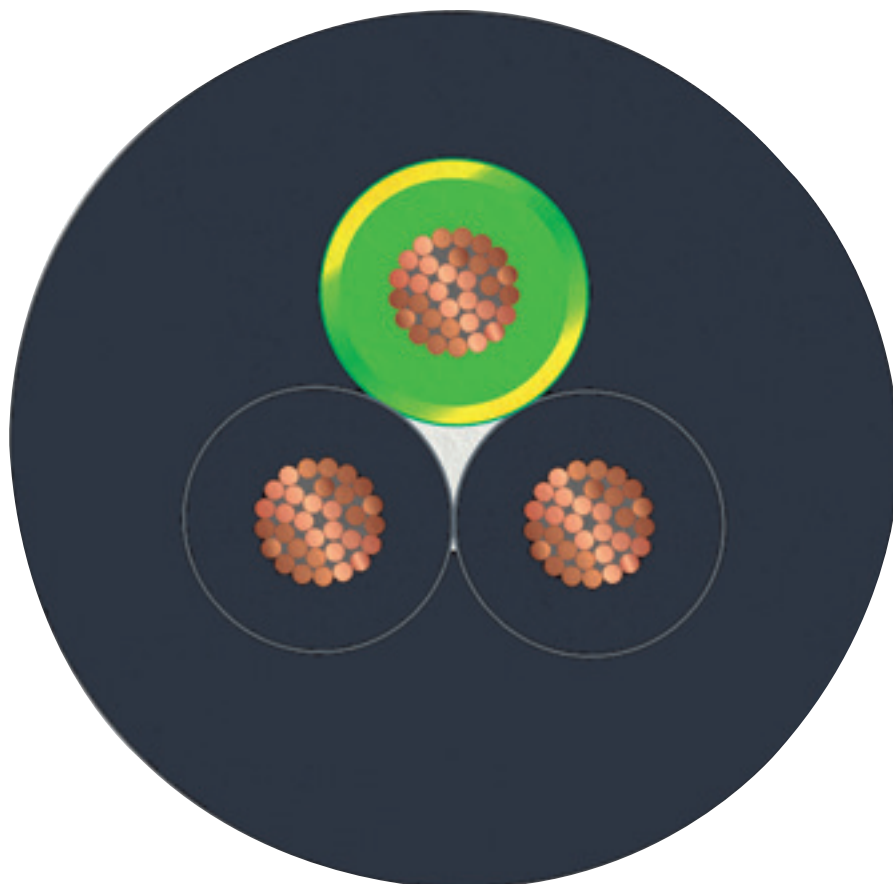
Dimensional drawing



M12 x 1 socket, angled

# Power cable - SAC-3P- 2,0-PVC/M12FRS PE - 1411649

Cable cross section



PVC black [PVC]

## Classifications

eCl@ss

eCl@ss 10.0.1	27060311
eCl@ss 11.0	27060311
eCl@ss 4.0	27140800
eCl@ss 4.1	27140800
eCl@ss 5.0	27143400
eCl@ss 5.1	27143400
eCl@ss 6.0	27279200
eCl@ss 7.0	27279218
eCl@ss 9.0	27060311

# Power cable - SAC-3P- 2,0-PVC/M12FRS PE - 1411649

## Classifications

### ETIM

ETIM 4.0	EC001855
ETIM 6.0	EC001855
ETIM 7.0	EC001855

### UNSPSC

UNSPSC 13.2	31251501
UNSPSC 19.0	31251501
UNSPSC 20.0	31251501
UNSPSC 21.0	31251501

## Approvals


### Approvals


#### Approvals

UL Listed / cUL Listed / EAC-RoHS / EAC / cULus Listed

#### Ex Approvals

### Approval details

UL Listed		<a href="http://database.ul.com/cgi-bin/XYV/template/LISEXT/1FRAME/index.htm">http://database.ul.com/cgi-bin/XYV/template/LISEXT/1FRAME/index.htm</a>	FILE E 468743
Nominal voltage UN		300 V	
Nominal current IN		12 A	
mm <sup>2</sup> /AWG/kcmil		16	


cUL Listed		<a href="http://database.ul.com/cgi-bin/XYV/template/LISEXT/1FRAME/index.htm">http://database.ul.com/cgi-bin/XYV/template/LISEXT/1FRAME/index.htm</a>	FILE E 468743
Nominal voltage UN		300 V	
Nominal current IN		12 A	
mm <sup>2</sup> /AWG/kcmil		16	

## Power cable - SAC-3P- 2,0-PVC/M12FRS PE - 1411649

### Approvals

EAC-RoHS		RU D- DE.HB35.B.00387
----------	---	--------------------------

EAC		RU C- DE.BL08.B.00286
-----	---	--------------------------

cULus Listed		
--------------	---	--

### Accessories

#### Accessories

#### Screwdriver tools

Tool - SAC BIT M12-D16 - 1200305



Nut for assembling sensor/actuator cables with M12 connector and M12 connectors for assembly, knurl diameter: 16 mm, for 4 mm hexagonal drive

Screw plug - PROT M12 MS PWR - 1092802



An M12 screw plug for the unoccupied M12 females of the M12 POWER connectors, boxes, and flush-type connectors