

## Cable gland - G-ESIS-M16-S68L-PEPDS-BK - 1415107

Please be informed that the data shown in this PDF Document is generated from our Online Catalog. Please find the complete data in the user's documentation. Our General Terms of Use for Downloads are valid (<http://phoenixcontact.com/download>)



Cable gland, Application: Ex, External cable diameter 4.5 mm ... 9 mm, Shielding: No, Connecting thread: M16, Color: black

### Product Description

Cable gland, with flat gasket

### Why buy this product

- Glow-wire test: 750°C
- Weatherproof sealing material
- Halogen-free



### Key Commercial Data

Packing unit	1 STK
Minimum order quantity	10 STK
GTIN	 4 055626 037691
GTIN	4055626037691
Custom tariff number	39269097
Country of origin	Germany

### Technical data

#### Dimensions

Length	37 mm
Thread pitch	1.5 mm
Wrench size, union nut	20 mm
Wrench size, support	20 mm

## Cable gland - G-ESIS-M16-S68L-PEPDS-BK - 1415107

### Technical data

#### Dimensions

Hexagon angular dimension	23 mm
Length of the connecting thread	15 mm
External cable diameter	4.5 mm ... 9 mm
Cable types that can be used	for unarmored cables

#### Ambient conditions

Degree of protection	IP66
	IP68 (5 bar / 0.5 h)
Ambient temperature (operation)	-40 °C ... 75 °C (static)

#### General

Material	PA (Screw connection, halogen-free)
Material grommet GRP	EPDM (Cable seal, halogen-free)
Thread type on connection side	M16
Torque	1.8 Nm (Support)
Tightening torque, union nut	1.30 Nm
Color	black
Impact energy	4.00 J (at -40 °C ... +75 °C)
Manufacturer	WISKA
Manufacturer Designation	ESKE/1-L-e 16
Suited for EX-applications	yes

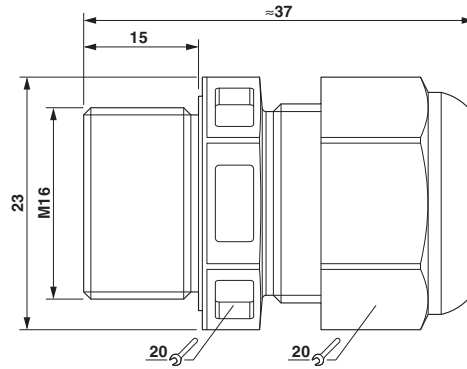
#### Standards and Regulations

ATEX	II 2 G Ex e IIC Gb, II 2 D Ex tb IIIC Db
IECEX	Ex e IIC Gb, Ex tb IIIC Db

### Drawings

## Cable gland - G-ESIS-M16-S68L-PEPDS-BK - 1415107

Dimensional drawing



Dimensional drawing