

Cable gland - G-ESIS-M20-S68L-PEPDS-BK - 1415108

Please be informed that the data shown in this PDF Document is generated from our Online Catalog. Please find the complete data in the user's documentation. Our General Terms of Use for Downloads are valid (<http://phoenixcontact.com/download>)



Cable gland, Application: Ex, External cable diameter 7 mm ... 13 mm, Shielding: No, Connecting thread: M20, Color: black

Product Description

Cable gland, with flat gasket

Why buy this product

- Glow-wire test: 750°C
- Weatherproof sealing material
- Halogen-free



Key Commercial Data

Packing unit	1 STK
Minimum order quantity	10 STK
GTIN	 4 055626 037707
GTIN	4055626037707
Weight per Piece (excluding packing)	18.000 g
Custom tariff number	39269097
Country of origin	Germany

Technical data

Dimensions

Length	41 mm
Thread pitch	1.5 mm
Wrench size, union nut	24 mm

Cable gland - G-ESIS-M20-S68L-PEPDS-BK - 1415108

Technical data

Dimensions

Wrench size, support	24 mm
Hexagon angular dimension	28 mm
Length of the connecting thread	15 mm
External cable diameter	7 mm ... 13 mm
Cable types that can be used	for unarmored cables

Ambient conditions

Degree of protection	IP66
	IP68 (5 bar / 0.5 h)
Ambient temperature (operation)	-40 °C ... 75 °C (static)

General

Material	PA (Screw connection, halogen-free)
Material grommet GRP	EPDM (Cable seal, halogen-free)
Thread type on connection side	M20
Torque	2.3 Nm (Support)
Tightening torque, union nut	1.50 Nm
Color	black
Impact energy	4.00 J (at -40 °C ... +75 °C)
Manufacturer	WISKA
Manufacturer Designation	ESKE/1-L-e 20
Suited for EX-applications	yes

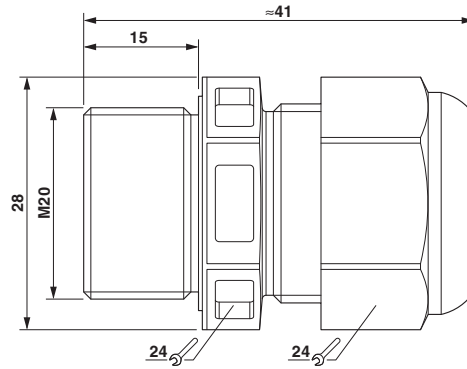
Standards and Regulations

ATEX	II 2 G Ex e IIC Gb, II 2 D Ex tb IIIC Db
IECEX	Ex e IIC Gb, Ex tb IIIC Db

Drawings

Cable gland - G-ESIS-M20-S68L-PEPDS-BK - 1415108

Dimensional drawing



Dimensional drawing

Phoenix Contact 2017 © - all rights reserved
<http://www.phoenixcontact.com>