

Cable gland - G-ESISEC-M12-S68N-NEPDS-S - 1415148

Please be informed that the data shown in this PDF Document is generated from our Online Catalog. Please find the complete data in the user's documentation. Our General Terms of Use for Downloads are valid (<http://phoenixcontact.com/download>)



Cable gland, cable gland material: Nickel-plated brass, application: Ex, external cable diameter 4 mm ... 7 mm, shielding: yes, connecting thread: M12 x 1.5, color: silver, with O-ring

The figure shows the G-ESIS-M25-M68N-NEPDS-S version

Why buy this product

- Dust protection during storage and transport provided by a dust cap.
- Weatherproof sealing material
- Halogen-free



Key Commercial Data

Packing unit	1 STK
Minimum order quantity	10 STK
GTIN	 4 055626 037929
GTIN	4055626037929
Weight per Piece (excluding packing)	28.000 g
Custom tariff number	74199990
Country of origin	Germany

Technical data

Dimensions

Length	30 mm
Thread pitch	1.5 mm
Wrench size, union nut	16 mm

Cable gland - G-ESISEC-M12-S68N-NEPDS-S - 1415148

Technical data

Dimensions

Wrench size, support	16 mm
Hexagon angular dimension	18 mm
Length of the connecting thread	12 mm
External cable diameter	4 mm ... 7 mm
Cable types that can be used	for unarmored cables
Hole diameter	12.1 mm ... 12.3 mm

Ambient conditions

Degree of protection	IP66
	IP68 (5 bar / 0.5 h)
Ambient temperature (operation)	-40 °C ... 75 °C (static)

General

Cable gland material	Nickel-plated brass
Material grommet GRP	EPDM (O-ring)
Cable seal material	EPDM
Material, insert	PA
Thread type connection side	M12 x 1.5
Torque	4 Nm (Support sleeve)
Tightening torque, union nut	4.00 Nm
Color	silver
Connection	Mounting the screw connection: - Mount cable gland support - Strip outer cable sheath. Expose around 7 mm of the cable shield. - Push the outer cone over the braided shield - Push the inner cone under the shield - Insert both, together with the cable, in the mounted screw connection support - Tighten union nut with the required torque
Manufacturer	WISKA
Manufacturer Designation	EMSKE-L 12 EMV-Z
Suited for EX-applications	yes

Standards and Regulations

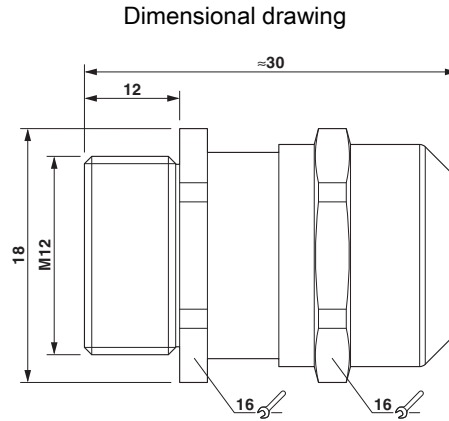
ATEX	II 2 G/D EEx e II IP68
IECEX	Ex e IIC Gb, Ex tb IIIC Db

Environmental Product Compliance

China RoHS	Environmentally Friendly Use Period = 50
	For details about hazardous substances go to tab "Downloads", Category "Manufacturer's declaration"

Cable gland - G-ESISEC-M12-S68N-NEPDS-S - 1415148

Drawings



Classifications

eCl@ss

eCl@ss 5.1	27149109
eCl@ss 6.0	27149109
eCl@ss 8.0	27149109
eCl@ss 9.0	27144432

ETIM

ETIM 5.0	EC000441
ETIM 6.0	EC000441

UNSPSC

UNSPSC 13.2	39121311
-------------	----------

Approvals

Approvals

Approvals

UL Recognized / cUL Recognized / cULus Recognized


Ex Approvals


ATEX / IECEx / EAC Ex / GL


Approval details

Cable gland - G-ESISEC-M12-S68N-NEPDS-S - 1415148

Approvals

UL Recognized		http://database.ul.com/cgi-bin/XYV/template/LISEXT/1FRAME/index.htm	E179850
---------------	---	---	---------

cUL Recognized		http://database.ul.com/cgi-bin/XYV/template/LISEXT/1FRAME/index.htm	E179850
----------------	---	---	---------

cULus Recognized		http://database.ul.com/cgi-bin/XYV/template/LISEXT/1FRAME/index.htm	
------------------	---	---	--

Accessories

Accessories

Flat nut

EMV nut - A-INLE-M12-N-S - 1411267



EMV nut, Brass, nickel-plated, for threads M12 x 1.5, color: silver