

Sensor/actuator cable - SAC-MS/0,3PVC/BI-1LZ110V BK180 - 1416157

Please be informed that the data shown in this PDF Document is generated from our Online Catalog. Please find the complete data in the user's documentation. Our General Terms of Use for Downloads are valid (<http://phoenixcontact.com/download>)



Sensor/actuator cable, 3-position, PVC, black RAL 9005, Plug straight M12 SPEEDCON, coding: A, on Valve connector BI (11 mm), with 1 LED, connected with Z diode, cable length: 0.3 m, 180° version



Key Commercial Data

Packing unit	1 pc
Minimum order quantity	100 pc
GTIN	 4 055626 066509
GTIN	4055626066509
Weight per Piece (excluding packing)	40.000 g
Custom tariff number	85444290
Country of origin	Poland

Technical data

Dimensions

Length of cable	0.3 m
-----------------	-------

Ambient conditions

Ambient temperature (operation)	-25 °C ... 90 °C (Plug / socket)
	-20 °C ... 85 °C (valve plug)

General

Rated current at 40°C	4 A
Rated voltage	48 V AC
	60 V DC
Number of positions	3

Sensor/actuator cable - SAC-MS/0,3PVC/BI-1LZ110V BK180 - 1416157

Technical data

General

Insulation resistance	≥ 100 MΩ
Coding	A - standard
Standards/regulations	M12 connector IEC 61076-2-101
Status display	1 LED
Protective circuit/component	Z diode
Overvoltage category	III
Degree of pollution	3
Insertion/withdrawal cycles	≥ 100 (M12 connector)

Material

Flammability rating according to UL 94	HB
Contact material	CuSn
Contact surface material	Ni/Au
Contact carrier material	TPU GF
Material of grip body	TPU
Valve plug contact material	CuSn
Valve plug contact surface material	Sn
Valve plug contact insert material	PA 6.6
Material housing valve plug	TPU
Material, knurls	Zinc die-cast, nickel-plated
Sealing material	TPU (Seal molded)

Standards and Regulations

Standards/specifications	M12 connector IEC 61076-2-101
Flammability rating according to UL 94	HB

Cable

Cable type	PVC black
Cable type (abbreviation)	PVC
Cable abbreviation	LiYY
UL AWM style	2464
Conductor cross section	3x 0.5 mm ²
AWG signal line	20
Conductor structure signal line	16x 0.20 mm
Core diameter including insulation	1.5 mm ±0.05 mm
Wire colors	black 1, black 2, green/yellow
Overall twist	3 wires, twisted
External sheath, color	black RAL 9005
External cable diameter D	4.8 mm ±0.2 mm

Sensor/actuator cable - SAC-MS/0,3PVC/BI-1LZ110V BK180 - 1416157

Technical data

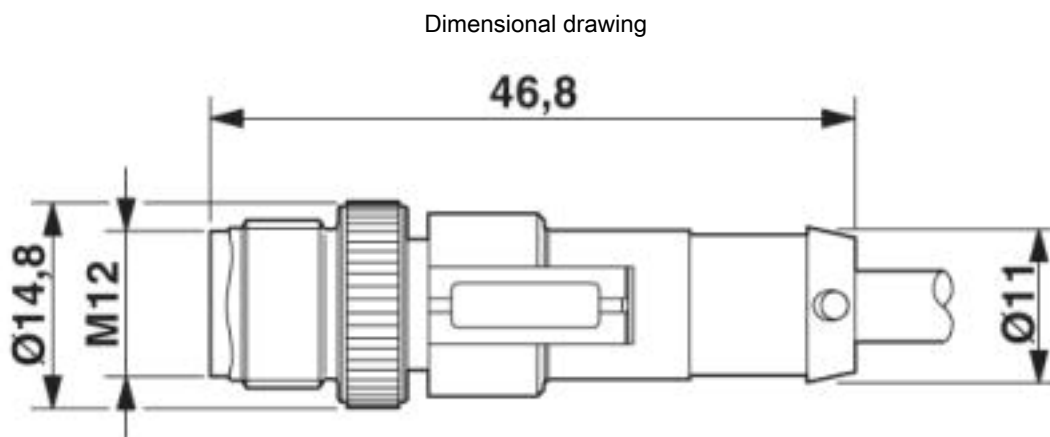
Cable

Minimum bending radius, fixed installation	5 x D
Outer sheath, material	PVC
Material conductor insulation	PVC
Conductor material	Bare Cu litz wires
Insulation resistance	≥ 20 MΩ*km
Conductor resistance	39 Ω/km (at 20 °C)
Nominal voltage, cable	300 V
Test voltage, cable	1200 V
Flame resistance	DIN VDE 0482
	DIN EN 50265-2-1
Resistance to oil	largely oil-resistant
Ambient temperature (operation)	-40 °C ... 80 °C (cable, fixed installation)
	-5 °C ... 80 °C (cable, flexible installation)

Environmental Product Compliance

REACH SVHC	Lead 7439-92-1
China RoHS	Environmentally Friendly Use Period = 50 years
	For details about hazardous substances go to tab "Downloads", Category "Manufacturer's declaration"

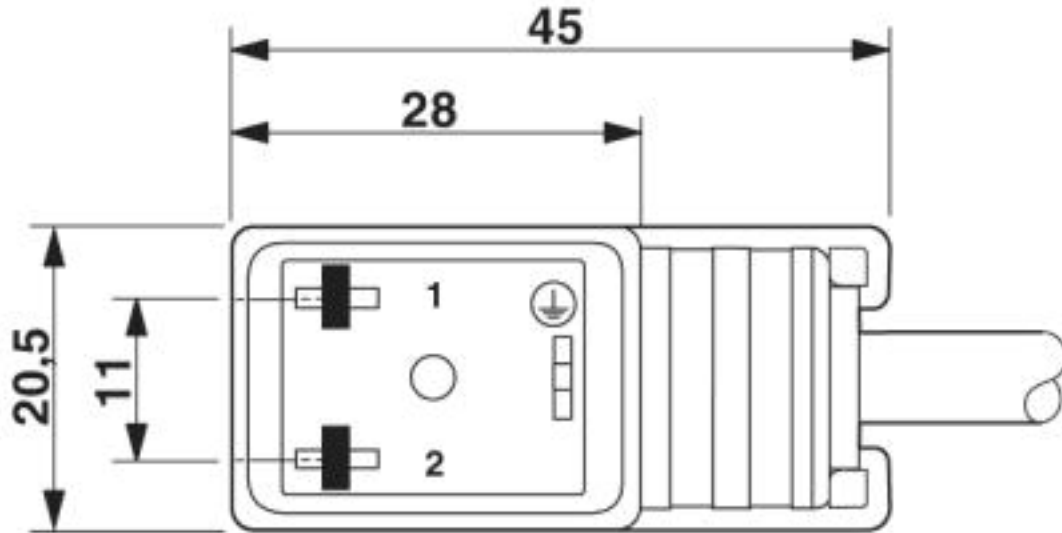
Drawings



Plug, M12 x 1, straight, shielded

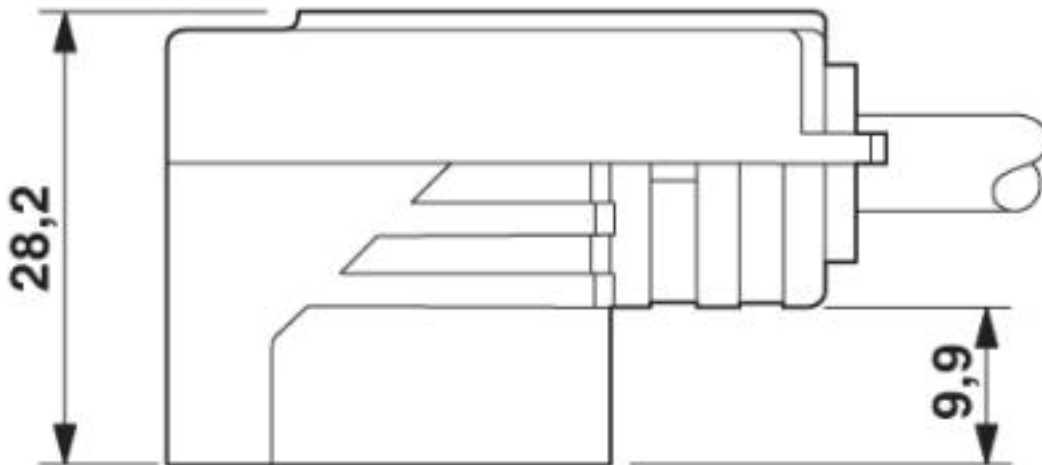
Sensor/actuator cable - SAC-MS/0,3PVC/BI-1LZ110V BK180 - 1416157

Dimensional drawing



Valve connector, type BI

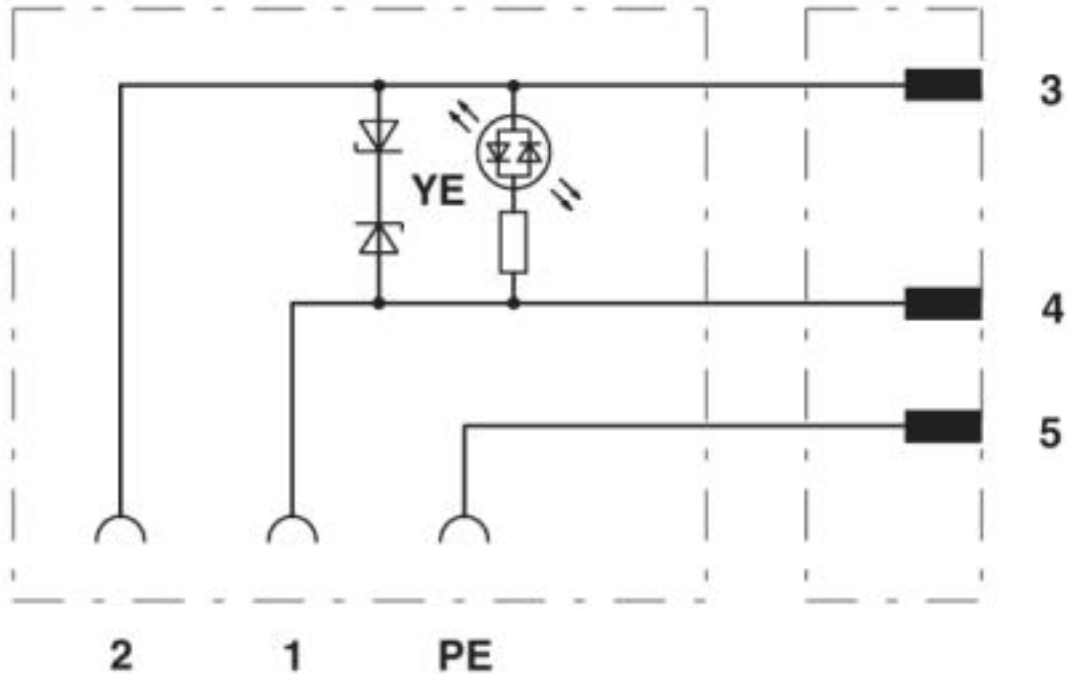
Dimensional drawing



Valve connector, type BI, side view

Sensor/actuator cable - SAC-MS/0,3PVC/BI-1LZ110V BK180 - 1416157

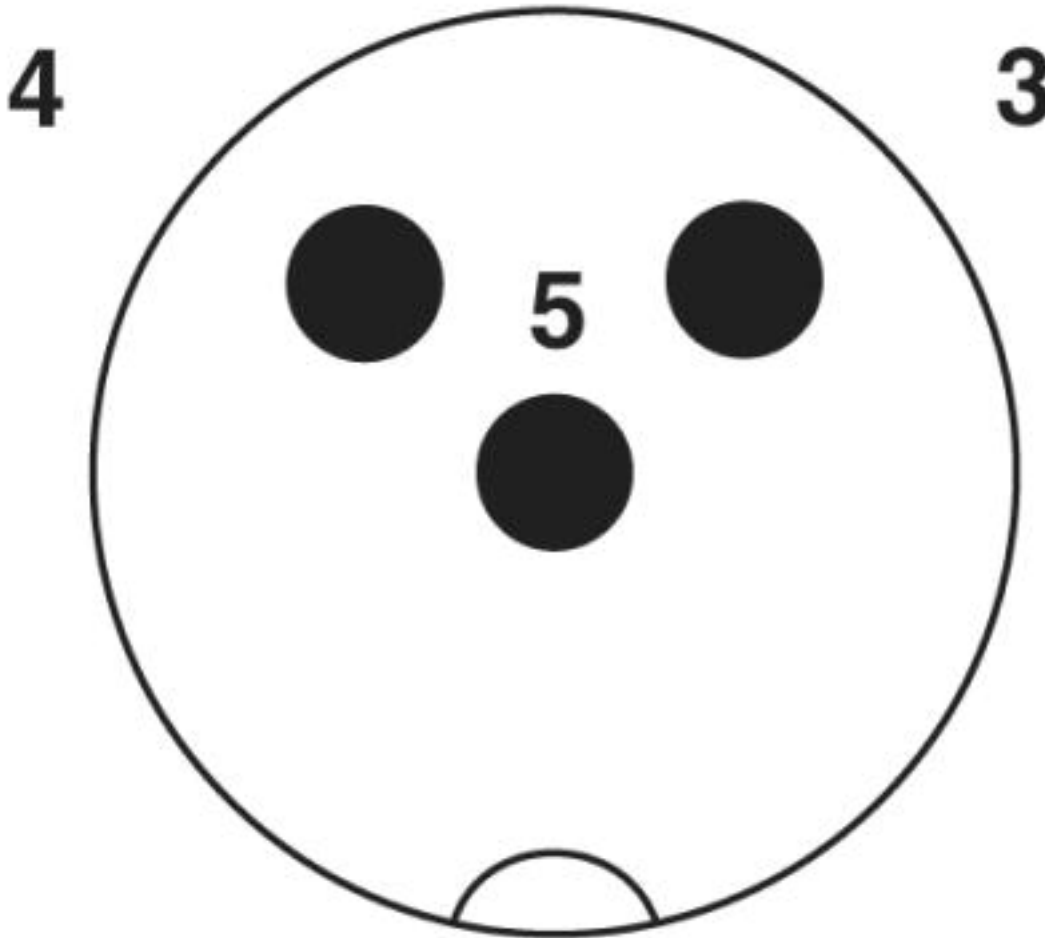
Circuit diagram



Contact assignment of M12 plug and valve connector

Sensor/actuator cable - SAC-MS/0,3PVC/BI-1LZ110V BK180 - 1416157

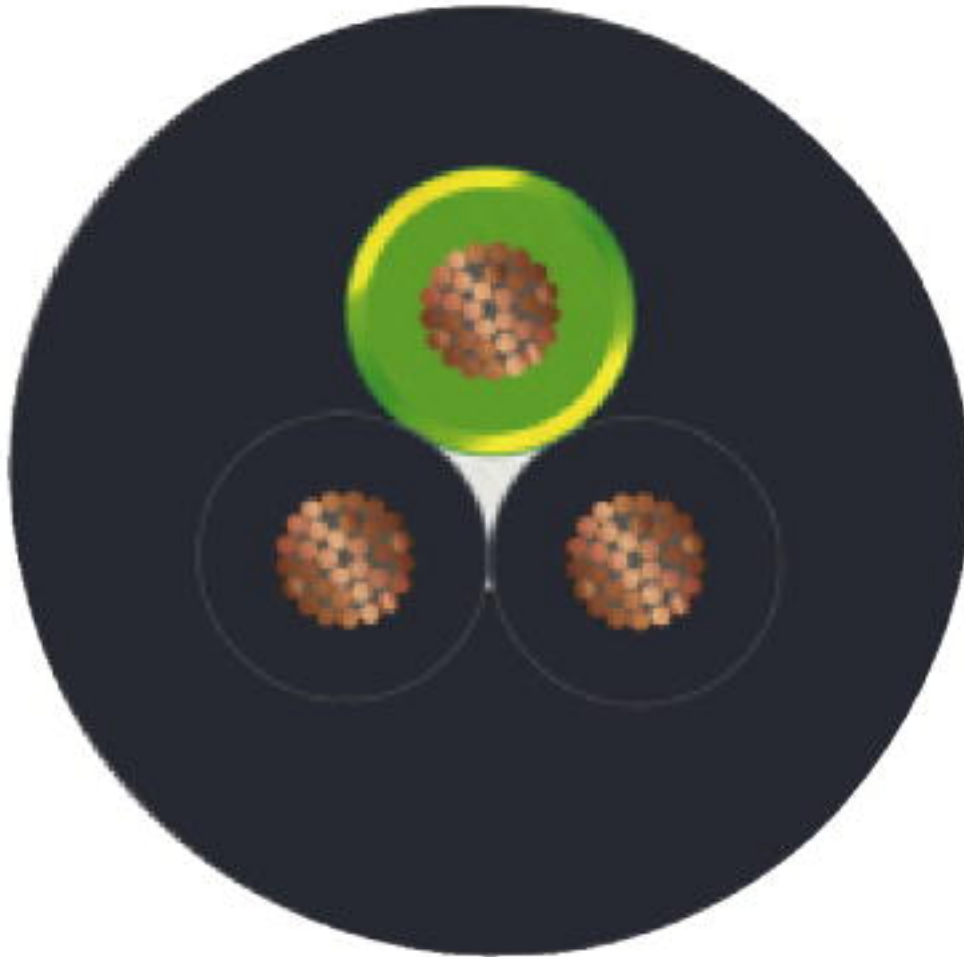
Schematic diagram



Pin assignment M12 plug, 3-pos., valve connector

Sensor/actuator cable - SAC-MS/0,3PVC/BI-1LZ110V BK180 - 1416157

Cable cross section



PVC black [PVC]

Classifications

eCl@ss

eCl@ss 4.0	27060300
eCl@ss 4.1	27060300
eCl@ss 5.0	27061800
eCl@ss 5.1	27061800
eCl@ss 6.0	27279200
eCl@ss 7.0	27279218
eCl@ss 8.0	27279218

Sensor/actuator cable - SAC-MS/0,3PVC/BI-1LZ110V BK180 - 1416157

Classifications

eCl@ss

eCl@ss 9.0	27060311
------------	----------

ETIM

ETIM 5.0	EC001855
ETIM 6.0	EC001855
ETIM 7.0	EC001855

UNSPSC

UNSPSC 13.2	31251501
UNSPSC 19.0	31251501
UNSPSC 20.0	31251501
UNSPSC 21.0	31251501