

## Cable gland - G-INS-M50-L68L-PNES-LG - 1417657

Please be informed that the data shown in this PDF Document is generated from our Online Catalog. Please find the complete data in the user's documentation. Our General Terms of Use for Downloads are valid (<http://phoenixcontact.com/download>)



Cable gland, cable gland material: PA, external cable diameter 30 mm ... 36 mm, shielding: no, connecting thread: M50 x 1.5, color: lightgrey RAL 7035

### Your advantages

- ✓ Plastic material conforms to UL 746C f1

### Key Commercial Data

|                      |                     |
|----------------------|---------------------|
| Packing unit         | 1 pc                |
| GTIN                 | <br>4 055626 121604 |
| GTIN                 | 4055626121604       |
| Custom tariff number | 39269097            |
| Country of origin    | Turkey              |

### Technical data

#### Dimensions

|                                 |                                |
|---------------------------------|--------------------------------|
| Length                          | 71 mm                          |
| Wrench size, union nut          | 60 mm                          |
| Wrench size, support            | 60 mm                          |
| Hexagon angular dimension       | 67.7 mm                        |
| Length of the connecting thread | 18 mm                          |
| Feed-through hole diameter      | 50.1 mm ... 50.3 mm            |
| External cable diameter         | 30 mm ... 36 mm                |
|                                 | 30 mm ... 38 mm (for UL 514 B) |

#### Ambient conditions

# Cable gland - G-INS-M50-L68L-PNES-LG - 1417657

## Technical data

### Ambient conditions

|                                 |                            |
|---------------------------------|----------------------------|
| Degree of protection (IP)       | IP68 (5 bar / 0.5 h)       |
|                                 | IP66                       |
| Ambient temperature (operation) | -40 °C ... 100 °C (static) |

### General

|  |  |
|--|--|
| No. of conductors                      | 1  |
| Cable gland material                   | PA   |
| Cable seal material                    | CR   |
| Flammability rating according to UL 94 | V2   |
|  | V2 (Housing)   |
| Shielded                               | no   |
| Thread type on connection side         | M50 x 1.5  |
| Torque                                 | 20 Nm ± (2 Nm)   |
| Color                                  | lightgrey RAL 7035   |
| Impact category                        | 4  |
| Execution of the strain relief         | A  |
| Assembly instructions                  | 1) Mount screw connection support in the housing using the correct torque<br>2) Insert cable 3) Tighten union nut using the correct torque |
| Manufacturer                           | BIMED  |
| Manufacturer Designation               | BM-19  |

### Standards and Regulations

|  |    |
|--|----|
| Flammability rating according to UL 94 | V2 |
|--|----|

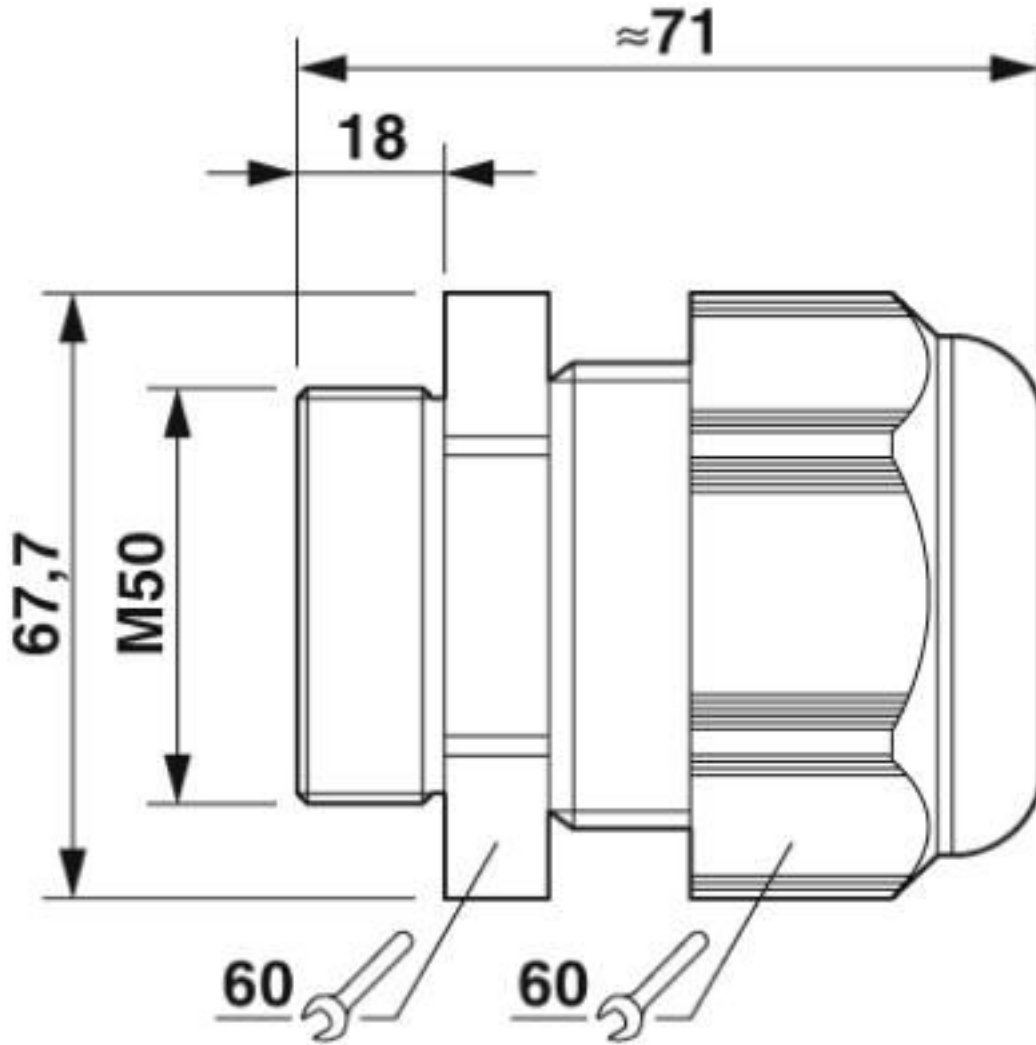
### Environmental Product Compliance

|            |   |
|------------|---|
| China RoHS | Environmentally friendly use period: unlimited = EFUP-e |
|            | No hazardous substances above threshold values          |

## Drawings

# Cable gland - G-INS-M50-L68L-PNES-LG - 1417657

Dimensional drawing



Dimensional drawing

## Classifications

eCl@ss

|               |          |
|---------------|----------|
| eCl@ss 10.0.1 | 27144432 |
| eCl@ss 4.0    | 27141200 |
| eCl@ss 4.1    | 27141200 |
| eCl@ss 5.0    | 27149100 |
| eCl@ss 5.1    | 27149109 |

# Cable gland - G-INS-M50-L68L-PNES-LG - 1417657

## Classifications

### eCl@ss

|            |          |
|------------|----------|
| eCl@ss 6.0 | 27149100 |
| eCl@ss 7.0 | 27149109 |
| eCl@ss 8.0 | 27149109 |
| eCl@ss 9.0 | 27144432 |

### ETIM

|          |          |
|----------|----------|
| ETIM 5.0 | EC000441 |
| ETIM 6.0 | EC000441 |
| ETIM 7.0 | EC000441 |

### UNSPSC

|             |          |
|-------------|----------|
| UNSPSC 13.2 | 39121311 |
| UNSPSC 18.0 | 39121311 |
| UNSPSC 19.0 | 39121311 |
| UNSPSC 20.0 | 39121311 |
| UNSPSC 21.0 | 39121311 |

## Approvals


### Approvals


Approvals

UL Listed / cUL Listed / cULus Listed

Ex Approvals

### Approval details

|           |   |   |         |
|-----------|---|---|---------|
| UL Listed |  | <a href="http://database.ul.com/cgi-bin/XYV/template/LISEXT/1FRAME/index.htm">http://database.ul.com/cgi-bin/XYV/template/LISEXT/1FRAME/index.htm</a> | E199260 |
|-----------|---|---|---------|

|            |   |   |         |
|------------|---|---|---------|
| cUL Listed |  | <a href="http://database.ul.com/cgi-bin/XYV/template/LISEXT/1FRAME/index.htm">http://database.ul.com/cgi-bin/XYV/template/LISEXT/1FRAME/index.htm</a> | E199260 |
|------------|---|---|---------|

## Cable gland - G-INS-M50-L68L-PNES-LG - 1417657

### Approvals

cULus Listed



### Accessories

#### Accessories

##### Flat nut

Counter nut - A-INL-M50-P-LG - 1417665



Counter nut, material: PA 6 GF 30, for threads M50 x 1.5, color: lightgrey RAL 7035

---

### Sealing plugs

Closing cap - SEALING PLUG 35X35 RD - 1421865



Closing cap, material: PA, color: red