

Flush-type socket - SACC-DSIV-FS-8CON-L180-10G SCO - 1440669

Please be informed that the data shown in this PDF Document is generated from our Online Catalog. Please find the complete data in the user's documentation. Our General Terms of Use for Downloads are valid (<http://phoenixcontact.com/download>)




Flush-type socket, CAT6_A, Ethernet, 8-pos., M12 SPEEDCON, front/screw mounting with M12 fastening thread, with straight solder connection

M12 flush-type socket, front mounting



Key Commercial Data

Packing unit	1 pc
Minimum order quantity	20 pc
GTIN	 4 046356 504591
GTIN	4046356504591
Weight per Piece (excluding packing)	11.000 g
Custom tariff number	85366990
Country of origin	Germany

Technical data

Ambient conditions

Ambient temperature (operation)	-40 °C ... 85 °C
Degree of protection	IP67 (When plugged in)

General

Rated current at 40°C	0.5 A
Rated voltage	50 V AC
	60 V DC
Rated surge voltage	1.5 kV
Number of positions	8

Flush-type socket - SACC-DSIV-FS-8CON-L180-10G SCO - 1440669

Technical data

General

Insulation resistance	> 100 MΩ
Signal type/category	Ethernet CAT6 _A
Overvoltage category	III
Degree of pollution	3
Connection method	THR solder connection
Insertion/withdrawal cycles	≥ 100
Transmission characteristics (category)	CAT6 _A

Material

Flammability rating according to UL 94	V0
Contact material	CuZn
Contact surface material	Ni/Au
Contact carrier material	PPA
Material of grip body	Zinc die-cast, nickel-plated
Material, knurls	Zinc die-cast, nickel-plated
Material	Zinc die-cast (nickel-plated)
Sealing material	EPDM

Standards and Regulations

Flammability rating according to UL 94	V0
--	----

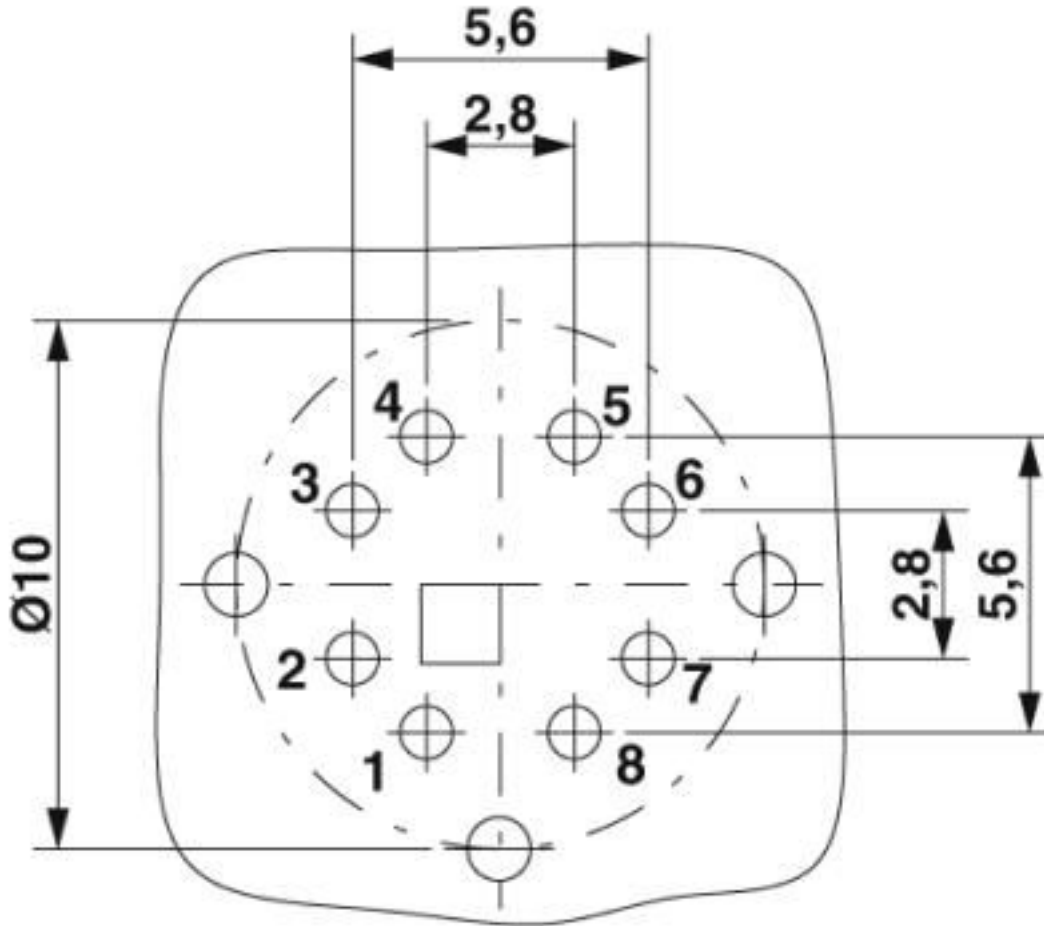
Environmental Product Compliance

REACH SVHC	Lead 7439-92-1
China RoHS	Environmentally Friendly Use Period = 50 years
	For details about hazardous substances go to tab "Downloads", Category "Manufacturer's declaration"

Drawings

Flush-type socket - SACC-DSIV-FS-8CON-L180-10G SCO - 1440669

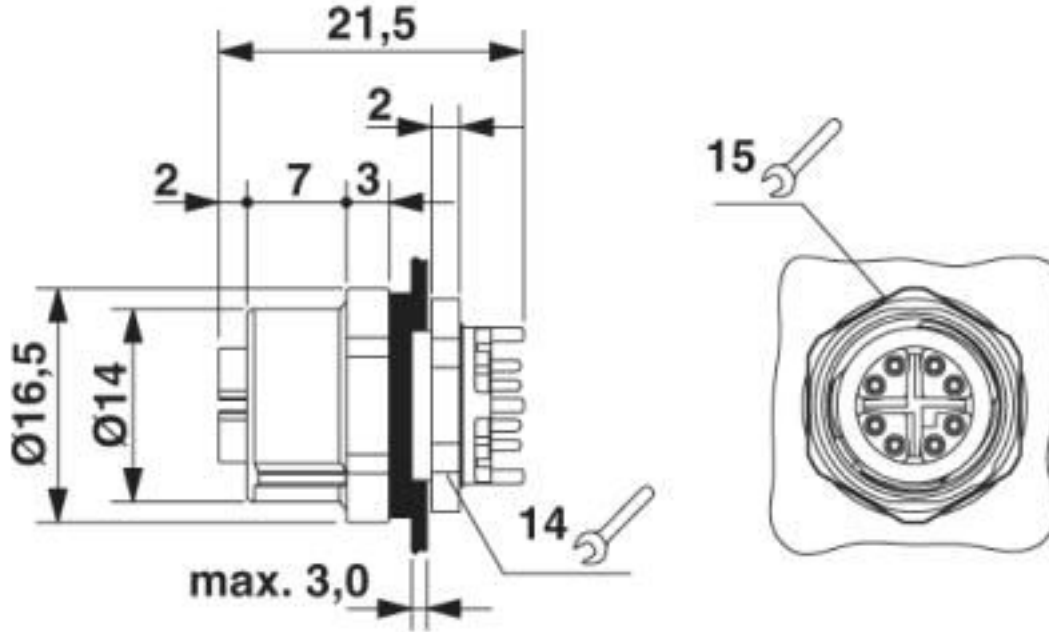
Drilling diagram



Soldering pad geometry

Flush-type socket - SACC-DSIV-FS-8CON-L180-10G SCO - 1440669

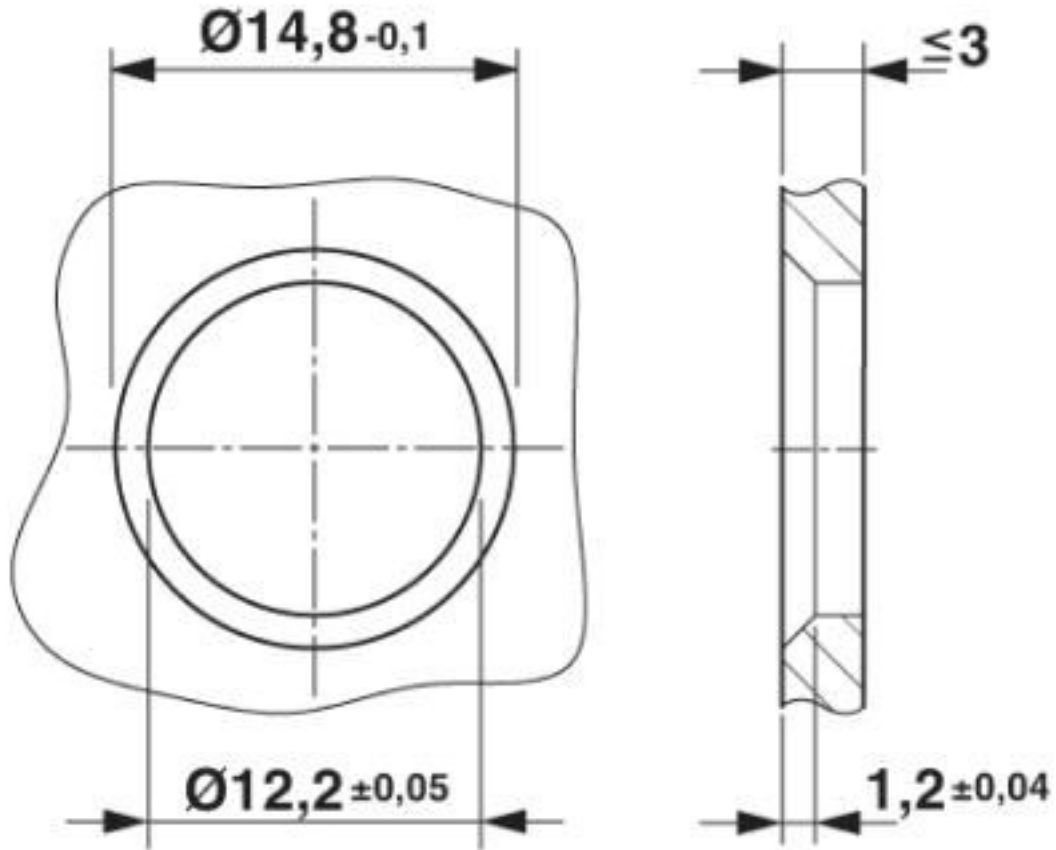
Dimensional drawing



M12 flush-type socket

Flush-type socket - SACC-DSIV-FS-8CON-L180-10G SCO - 1440669

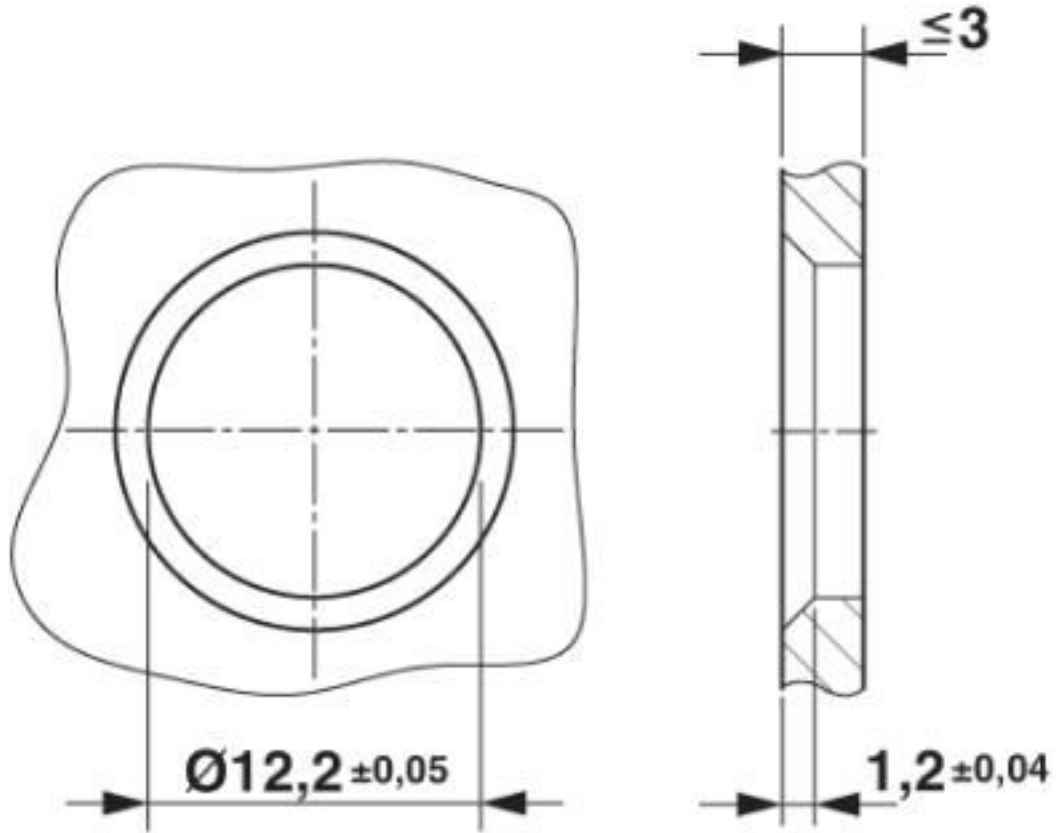
Dimensional drawing



Housing cut-out for two-part M12 flush-type connectors with THR and wave soldering connection, version 1

Flush-type socket - SACC-DSIV-FS-8CON-L180-10G SCO - 1440669

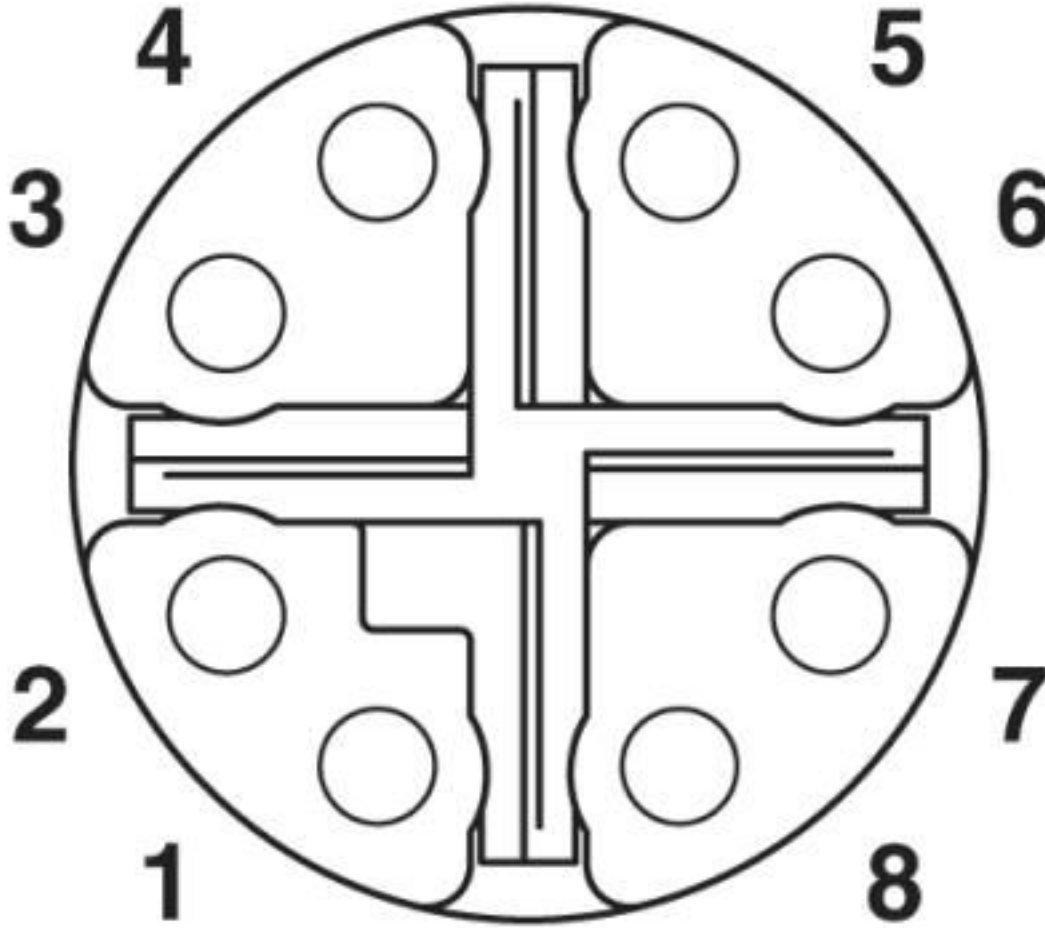
Dimensional drawing



Housing cut-out for two-part M12 flush-type connectors with THR and wave soldering connection, version 2

Flush-type socket - SACC-DSIV-FS-8CON-L180-10G SCO - 1440669

Schematic diagram



M12 socket pin assignment, 8-pos, view of socket side

Classifications

eCl@ss

eCl@ss 10.0.1	27440102
eCl@ss 4.0	27140800
eCl@ss 4.1	27140800
eCl@ss 5.0	27143400
eCl@ss 5.1	27143400
eCl@ss 6.0	27279200
eCl@ss 7.0	27440103
eCl@ss 8.0	27440103

Flush-type socket - SACC-DSIV-FS-8CON-L180-10G SCO - 1440669

Classifications

eCl@ss

eCl@ss 9.0	27440102
------------	----------

ETIM

ETIM 2.0	EC001297
ETIM 3.0	EC002061
ETIM 4.0	EC002061
ETIM 5.0	EC002061
ETIM 6.0	EC002061

UNSPSC

UNSPSC 6.01	31251501
UNSPSC 7.0901	31251501
UNSPSC 11	31251501
UNSPSC 12.01	31251501
UNSPSC 13.2	39121413
UNSPSC 18.0	39121413
UNSPSC 19.0	39121413
UNSPSC 20.0	39121413
UNSPSC 21.0	39121413

Approvals


Approvals

Approvals

UL Recognized / cUL Recognized / EAC / cULus Recognized


Ex Approvals

Approval details


UL Recognized		http://database.ul.com/cgi-bin/XYV/template/LISEXT/1FRAME/index.htm	E335024-20120308
Nominal voltage UN	60 V		
Nominal current IN	0.5 A		

Flush-type socket - SACC-DSIV-FS-8CON-L180-10G SCO - 1440669

Approvals

cUL Recognized		http://database.ul.com/cgi-bin/XYVV/template/LISEXT/1FRAME/index.htm	E335024-20120308
Nominal voltage UN		60 V	
Nominal current IN		0.5 A	

EAC		B.01687
-----	---	---------

cULus Recognized	
------------------	---