

## Flush-type connector - SACC-DSI-M5MS-4CON-L180 - 1530634

Please be informed that the data shown in this PDF Document is generated from our Online Catalog. Please find the complete data in the user's documentation. Our General Terms of Use for Downloads are valid (<http://phoenixcontact.com/download>)




Sensor/actuator flush-type plug, 4-pos., M5, prewall/screw mounting, with straight solder connection

### Your advantages

- Easy PCB assembly: one-piece connectors for wave soldering

### Key Commercial Data

Packing unit	1 pc
Minimum order quantity	20 pc
GTIN	 4 046356 024433
GTIN	4046356024433
Weight per Piece (excluding packing)	2.900 g
Custom tariff number	85366990
Country of origin	Germany

### Technical data

#### Ambient conditions

Ambient temperature (operation)	-25 °C ... 85 °C
Degree of protection	IP67

#### General

Rated current at 40°C	1 A
Rated voltage	60 V
Number of positions	4
Insulation resistance	≥ 100 MΩ

## Flush-type connector - SACC-DSI-M5MS-4CON-L180 - 1530634

### Technical data

#### General

Coding	A - standard
Standards/regulations	M5 connector IEC 61076-2-105
Status display	No
Overvoltage category	II
Degree of pollution	3
Test voltage	800 V
Connection method	Solder pins
Mounting type	Rear mounting M5 x 0.5 With locking nut

#### Material

Flammability rating according to UL 94	HB
Contact material	CuZn
Contact surface material	Au
Contact carrier material	PA 6.6
Material, knurls	Nickel-plated brass
Sealing material	Viton

#### Cable

Standards/specifications	M5 connector IEC 61076-2-105
--------------------------	------------------------------

#### Standards and Regulations

Standard designation	M5 connector
Standards/regulations	IEC 61076-2-105
Flammability rating according to UL 94	HB

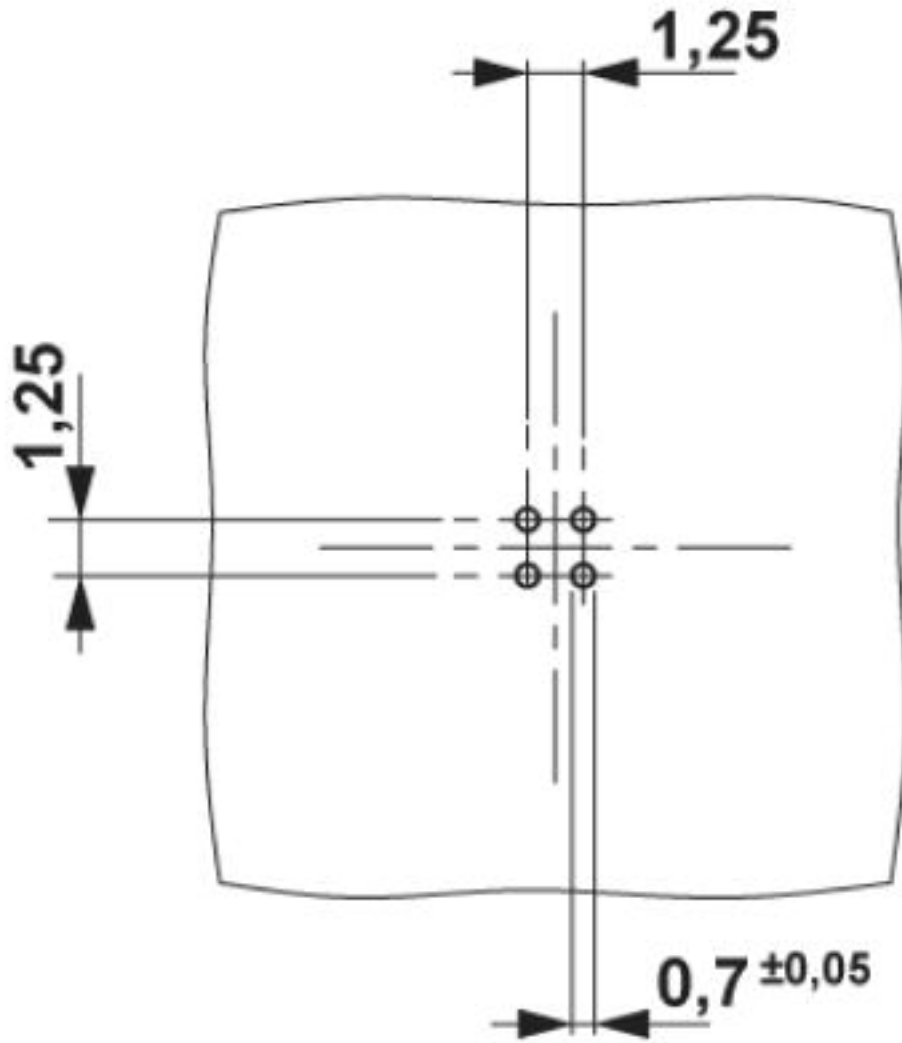
#### Environmental Product Compliance

	Lead 7439-92-1
China RoHS	Environmentally Friendly Use Period = 25;
	For details about hazardous substances go to tab "Downloads", Category "Manufacturer's declaration"

### Drawings

# Flush-type connector - SACC-DSI-M5MS-4CON-L180 - 1530634

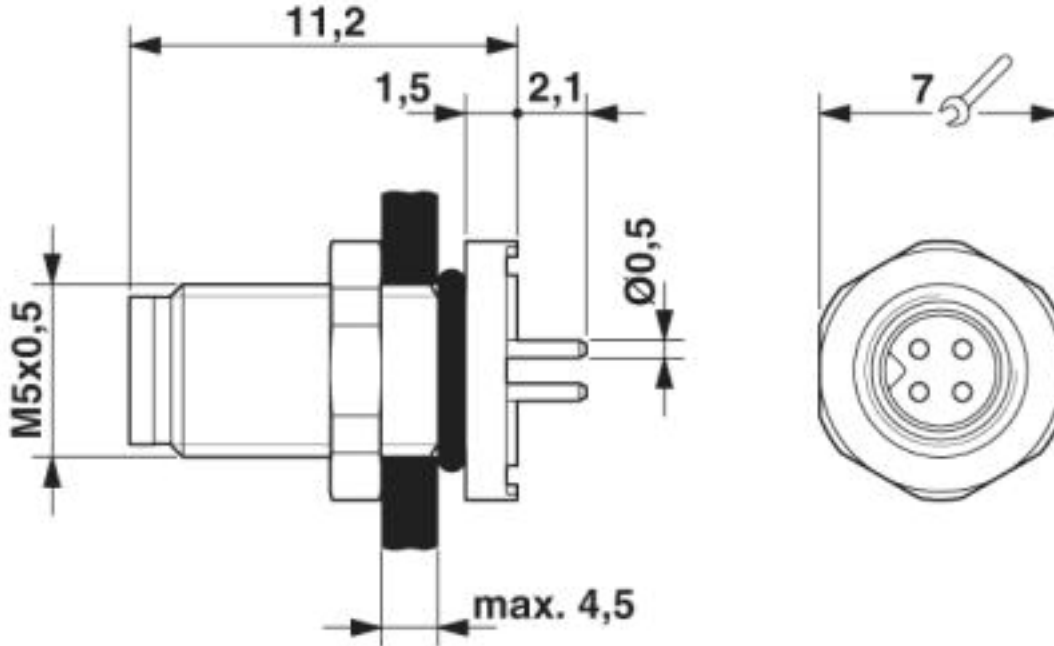
Drilling diagram



M5 flush-type plug

# Flush-type connector - SACC-DSI-M5MS-4CON-L180 - 1530634

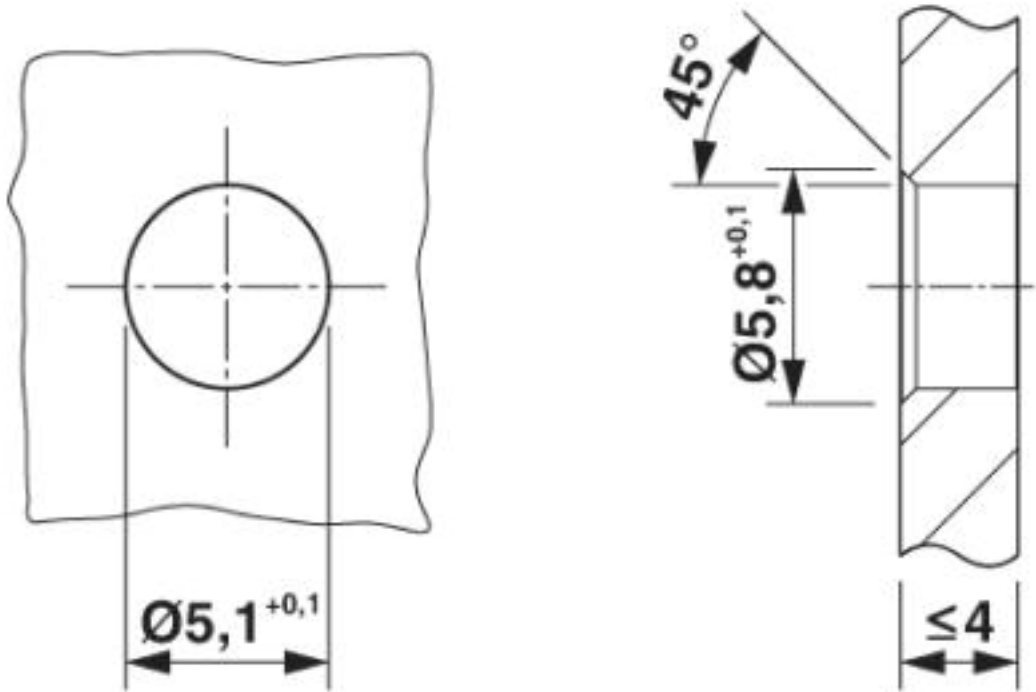
Dimensional drawing



M5 flush-type plug

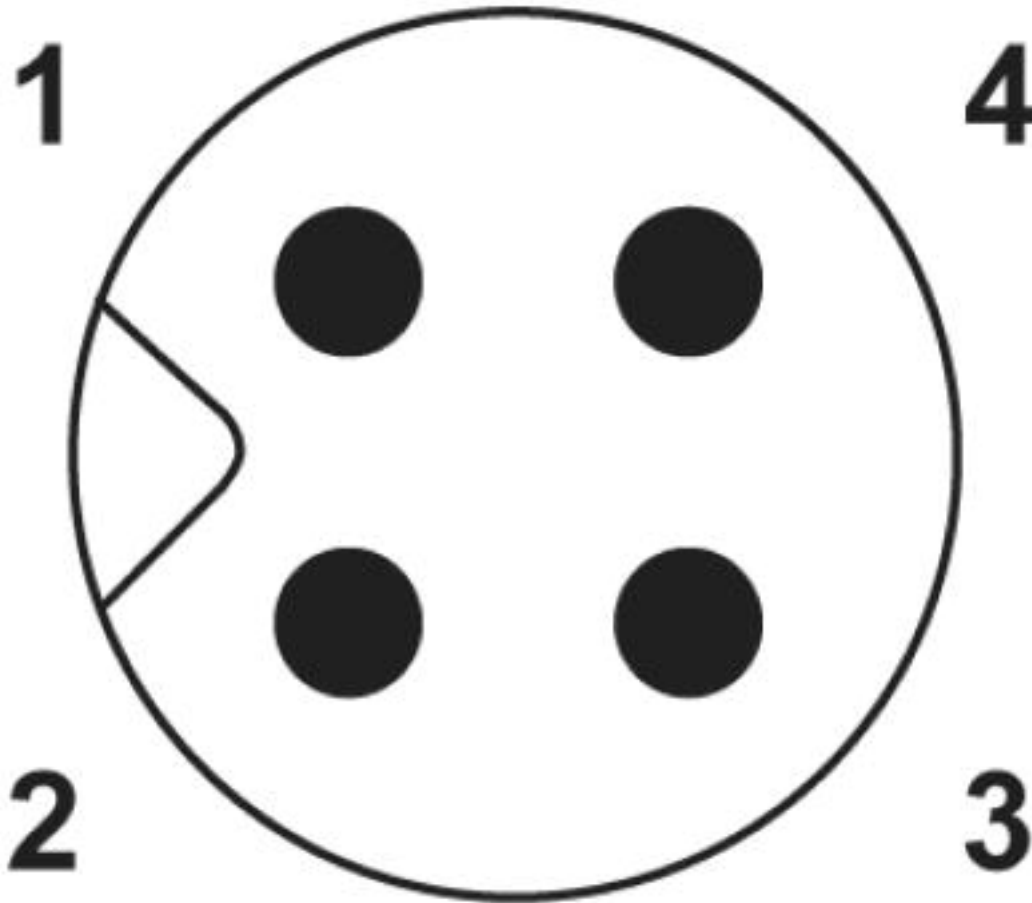
# Flush-type connector - SACC-DSI-M5MS-4CON-L180 - 1530634

Dimensional drawing



# Flush-type connector - SACC-DSI-M5MS-4CON-L180 - 1530634

Schematic diagram



Pin assignment M5 plug, 4-pos., view male side

## Classifications

eCl@ss

eCl@ss 10.0.1	27440102
eCl@ss 4.0	27140800
eCl@ss 4.1	27140800
eCl@ss 5.0	27143400
eCl@ss 5.1	27143400
eCl@ss 6.0	27279200
eCl@ss 7.0	27440103
eCl@ss 8.0	27440103

# Flush-type connector - SACC-DSI-M5MS-4CON-L180 - 1530634

## Classifications

### eCl@ss

eCl@ss 9.0	27440102
------------	----------

### ETIM

ETIM 2.0	EC001297
ETIM 3.0	EC002061
ETIM 4.0	EC002062
ETIM 5.0	EC002061
ETIM 6.0	EC002061

### UNSPSC

UNSPSC 6.01	31251501
UNSPSC 7.0901	31251501
UNSPSC 11	31251501
UNSPSC 12.01	31251501
UNSPSC 13.2	39121413

## Approvals

### Approvals

---

### Approvals

EAC

---

### Ex Approvals

---

### Approval details

EAC		B.01742
-----	--	---------

## Accessories

### Accessories

## Flush-type connector - SACC-DSI-M5MS-4CON-L180 - 1530634

### Accessories

Flat nut - SACC-E-MU-M 5 - 1535901



Flat nut with M5 thread

---

Phoenix Contact 2019 © - all rights reserved  
<http://www.phoenixcontact.com>