

## Sensor/Actuator cable - SAC-M12MR/1,5-PUR/2XA-1L-S/0,1 - 1572430

Please be informed that the data shown in this PDF Document is generated from our Online Catalog. Please find the complete data in the user's documentation. Our General Terms of Use for Downloads are valid (<http://phoenixcontact.com/download>)

Sensor/Actuator cable, 3-position, PUR/PVC, black RAL 9005, Plug angled M12, A-coded, on Valve connector A, with 1 LED, connected with Z diode, Cable length: 1.5 m



### Key Commercial Data

Packing unit	1 pc
Minimum order quantity	100 pc
Weight per Piece (excluding packing)	180.0 g
Custom tariff number	85444290
Country of origin	Poland

### Technical data

#### Dimensions

Length of cable	1.5 m
-----------------	-------

#### Ambient conditions

Degree of protection	IP67
----------------------	------

#### General

Rated current at 40°C	4 A
Rated voltage	24 V
Number of positions	3
Insulation resistance	≥ 100 MΩ
Coding	A - standard
Status display	1 LED
Protective circuit/component	Z diode
Overvoltage category	II
Degree of pollution	3
Insertion/withdrawal cycles	≥ 100

#### Material

Flammability rating according to UL 94	HB
Contact material	CuSn
Contact surface material	Ni/Au

## Sensor/Actuator cable - SAC-M12MR/1,5-PUR/2XA-1L-S/0,1 - 1572430

### Technical data

#### Material

Contact carrier material	TPU GF
Material of grip body	TPU, hardly inflammable, self-extinguishing
Valve plug contact material	CuSn
Valve plug contact surface material	Ag
Valve plug contact insert material	PBT
Material housing valve plug	PBT
Sealing material	TPU (Flat gasket valve plug)

#### Standards and Regulations

Flammability rating according to UL 94	HB
--	----

### Classifications

#### eCl@ss

eCl@ss 4.0	27060306
eCl@ss 4.1	27060306
eCl@ss 5.0	27061801
eCl@ss 5.1	27061801
eCl@ss 6.0	27061801
eCl@ss 7.0	27061801
eCl@ss 8.0	27279218
eCl@ss 9.0	27060311

#### ETIM

ETIM 3.0	EC001855
ETIM 4.0	EC001855
ETIM 5.0	EC001855

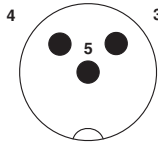
#### UNSPSC

UNSPSC 6.01	31251501
UNSPSC 7.0901	31251501
UNSPSC 11	31251501
UNSPSC 12.01	31251501
UNSPSC 13.2	31251501

### Drawings

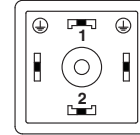
# Sensor/Actuator cable - SAC-M12MR/1,5-PUR/2XA-1L-S/0,1 - 1572430

Schematic diagram



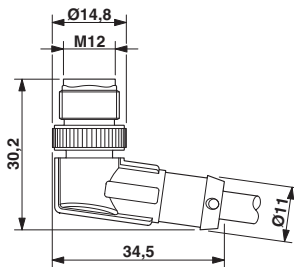
Pin assignment M12 plug, 3-pos., valve connector

Schematic diagram



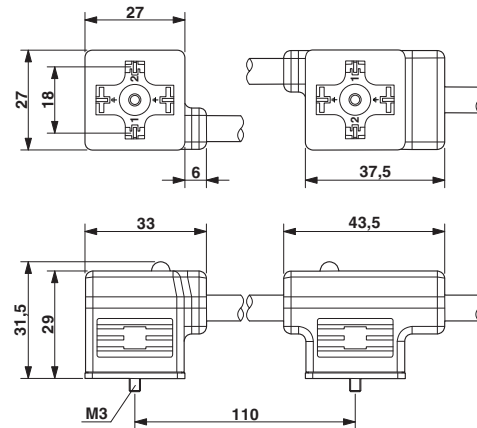
Valve connector pin assignment, type A

Dimensional drawing



M12 x 1 male plug, angled

Dimensional drawing



Circuit diagram

