

## Sleeve housing for cable connector - RC-00000001200 - 1592539


Please be informed that the data shown in this PDF Document is generated from our Online Catalog. Please find the complete data in the user's documentation. Our General Terms of Use for Downloads are valid (<http://phoenixcontact.com/download>)



Sleeve housing for cable connector, series: RC, straight, Screw locking, M23, shielded: no



### Key Commercial Data

Packing unit	1 pc
GTIN	 4 046356 191432
GTIN	4046356191432
Weight per Piece (excluding packing)	68.390 g
Custom tariff number	85389099
Country of origin	Germany

### Technical data

#### General

Type of locking	Screw locking
Pg housing screw connection	Pg11

#### Ambient conditions

Ambient temperature	-20 °C ... 125 °C
Degree of protection	IP65

#### Material

Housing material	Turned parts: copper zinc alloy (CuZn), die-cast parts: zinc (GD-Zn)
Gasket and O-ring material	FPM

Specifications according to DIN EN 61984:2001

# Sleeve housing for cable connector - RC-00000001200 - 1592539

## Technical data

Specifications according to DIN EN 61984:2001

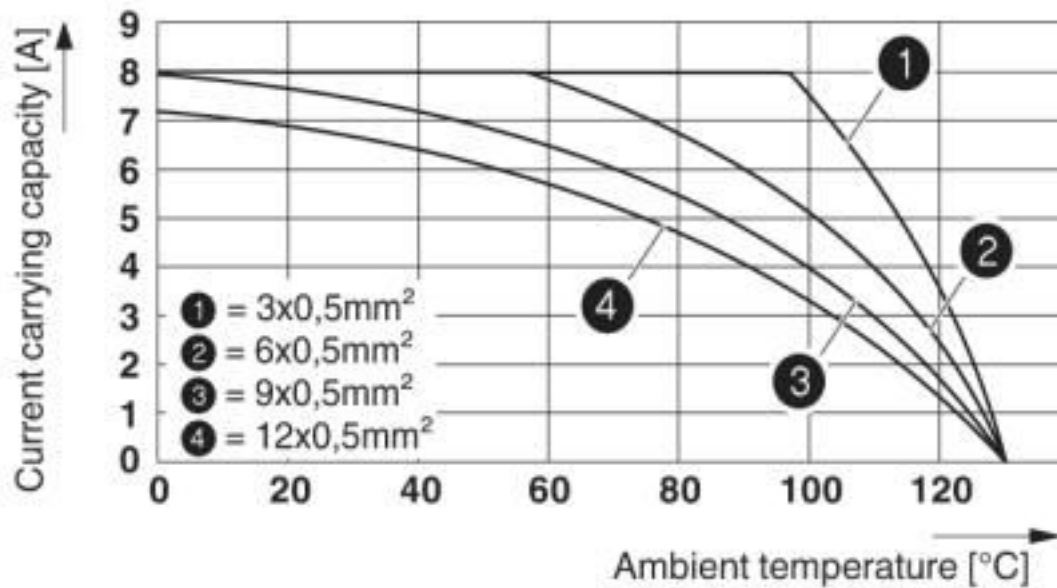
Installation height max.	2000 m
--------------------------	--------

## Environmental Product Compliance

REACH SVHC	Lead 7439-92-1
China RoHS	Environmentally Friendly Use Period = 50 years
	For details about hazardous substances go to tab "Downloads", Category "Manufacturer's declaration"

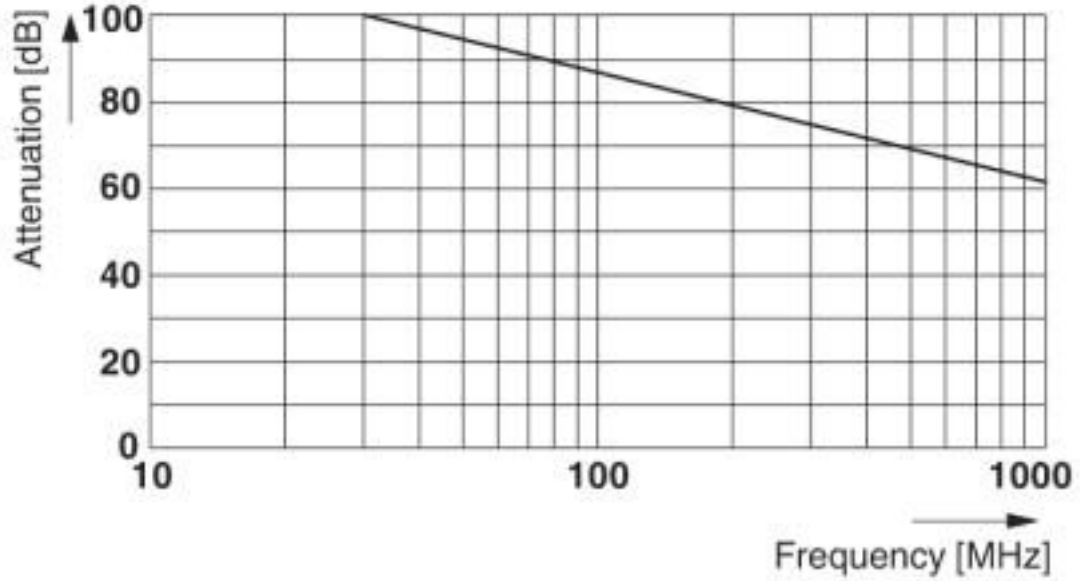
## Drawings

Diagram

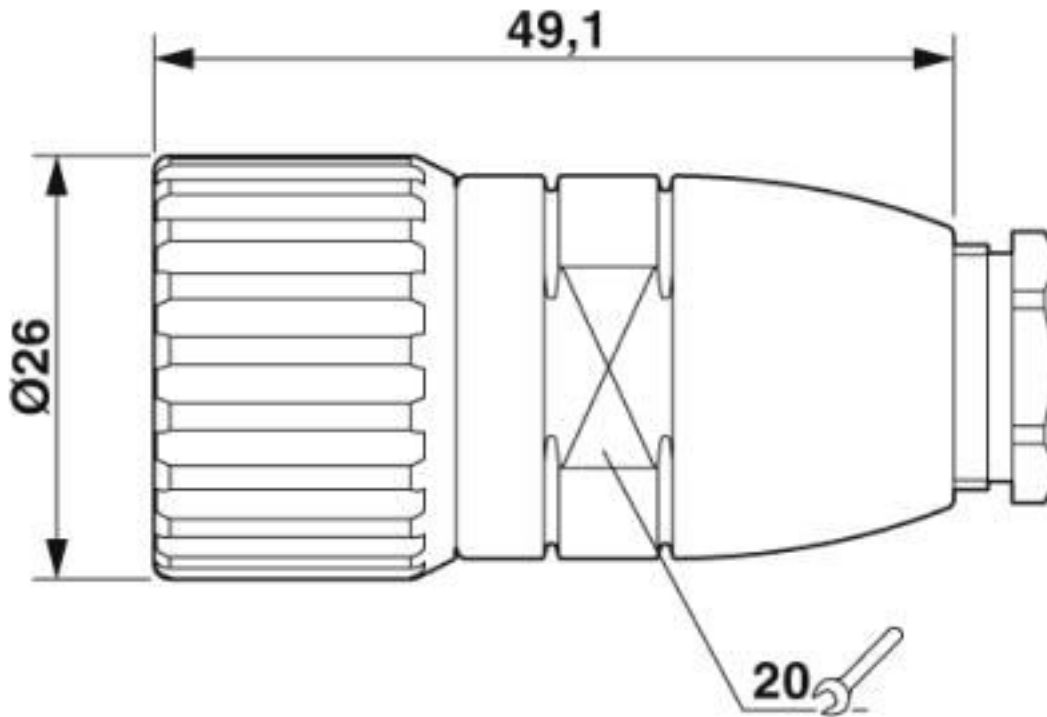


# Sleeve housing for cable connector - RC-0000001200 - 1592539

Diagram



Dimensional drawing



# Sleeve housing for cable connector - RC-00000001200 - 1592539

## Classifications

### eCl@ss

eCl@ss 10.0.1	27440202
eCl@ss 4.0	27260700
eCl@ss 4.1	27260700
eCl@ss 5.0	27260700
eCl@ss 5.1	27261200
eCl@ss 6.0	27261200
eCl@ss 7.0	27440202
eCl@ss 8.0	27440202
eCl@ss 9.0	27440202

### ETIM

ETIM 3.0	EC001121
ETIM 4.0	EC000437
ETIM 5.0	EC000437
ETIM 6.0	EC000437
ETIM 7.0	EC000437

### UNSPSC

UNSPSC 6.01	43172015
UNSPSC 7.0901	43201404
UNSPSC 11	43172015
UNSPSC 12.01	43201404
UNSPSC 13.2	31261501
UNSPSC 18.0	31261501
UNSPSC 19.0	31261501
UNSPSC 20.0	31261501
UNSPSC 21.0	31261501

## Approvals

### Approvals

---

Approvals

EAC

---


Ex Approvals

---

## Sleeve housing for cable connector - RC-00000001200 - 1592539

### Approvals

#### Approval details

EAC		B.01742
-----	---	---------