

Housing - HC-B 24-AMLD-AL - 1645493


Please be informed that the data shown in this PDF Document is generated from our Online Catalog. Please find the complete data in the user's documentation. Our General Terms of Use for Downloads are valid (<http://phoenixcontact.com/download>)



Panel mounting base B24, with single locking latch, material: Aluminum die-cast, protective cover material: Al, height: 29 mm, cable gland: none, support sleeve: no, protective cover: yes, Standard, with flat gasket



Key Commercial Data

Packing unit	1 pc
Minimum order quantity	10 pc
GTIN	 4 046356 028646
GTIN	4046356028646
Weight per Piece (excluding packing)	241.450 g
Custom tariff number	85369010
Country of origin	Germany

Technical data

Dimensions

Height	29 mm
Width	43 mm
Length	140 mm
Length of the assembly cutout	113 mm
Width of the assembly cutout	35 mm

Ambient conditions

Degree of protection of housing (IP)	IP65 (When plugged in)
	IP54 (with closed protective cover)
Ambient temperature (operation)	-40 °C ... 125 °C

Housing - HC-B 24-AMLD-AL - 1645493

Technical data

General

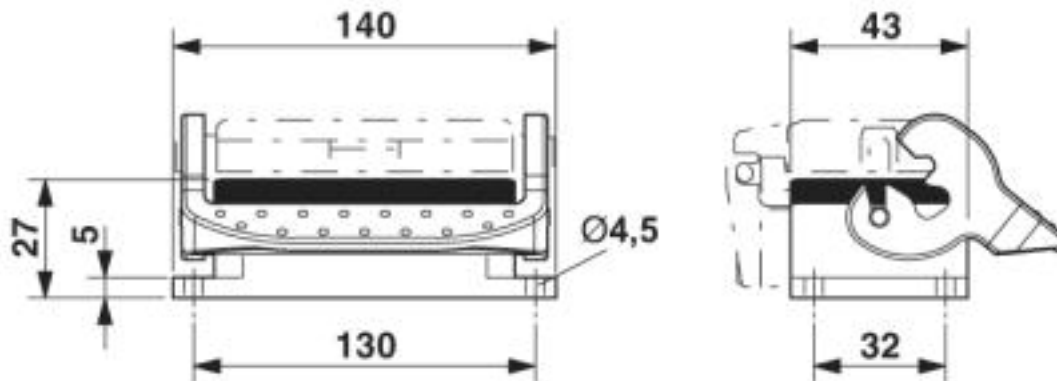
Note	For contact inserts HC-B24, BB46, BBB64, D64, DD108, M
Size	B24
Housing type	Panel mounting base
Locking type	with single locking latch
Torque	1.5 Nm ... 2 Nm (Mounting screw)
Screw connection	none
Protective cover	yes
Housing material	Aluminum die-cast
Housing surface material	Powder-coated, gray
Material lock	Stainless steel, handle: PA
Material grip body interlock	PA
Material, protective cover	Al

Environmental Product Compliance

China RoHS	Environmentally friendly use period: unlimited = EFUP-e
	No hazardous substances above threshold values

Drawings

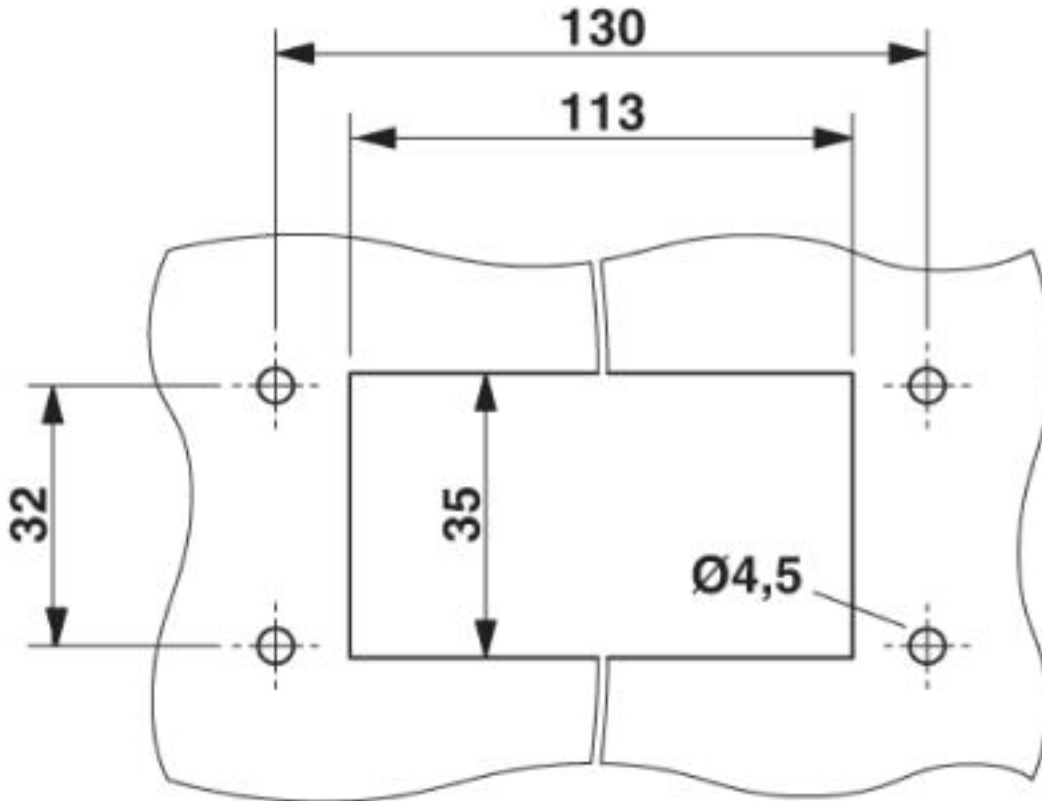
Dimensional drawing



Dimensional drawing

Housing - HC-B 24-AMLD-AL - 1645493

Dimensional drawing



Mounting cutout

Classifications

eCl@ss

eCl@ss 10.0.1	27440202
eCl@ss 4.0	27140800
eCl@ss 4.1	27140800
eCl@ss 5.0	27143400
eCl@ss 5.1	27261200
eCl@ss 6.0	27261200
eCl@ss 7.0	27440202
eCl@ss 8.0	27440202
eCl@ss 9.0	27440202

ETIM

ETIM 3.0	EC000437
----------	----------

Housing - HC-B 24-AMLD-AL - 1645493

Classifications

ETIM

ETIM 4.0	EC000437
ETIM 5.0	EC000437
ETIM 6.0	EC000437
ETIM 7.0	EC000437

UNSPSC

UNSPSC 6.01	31261502
UNSPSC 7.0901	31261502
UNSPSC 11	31261502
UNSPSC 12.01	31261502
UNSPSC 13.2	31261501

Approvals

Approvals

Approvals

EAC

Ex Approvals

Approval details

EAC		RU C- DE.AI30.B.01102
-----	--	--------------------------

Accessories

Accessories

Housing latches

Housing brackets - HC-B 24-LB - 1584677



Replacement plastic single locking latch for standard housings of type B24

Housing - HC-B 24-AMLD-AL - 1645493

Accessories

Mounting material

Bearing block - HC-B-ERSLABO-SD-AL - 1408067

Spare bearing block for series B housing with aluminum protective cover; consisting of bearing block, plate and two screws



Seal

Profile gasket - HC-B 24-PR-DI - 1663048



Profile gasket for type B24 supporting base element

Flat gasket - HC-B 24-FL-DI - 1774665



Replacement flange seal, for HEAVYCON panel mounting base of type: B24, self-adhesive, not for HC-...EMC housings, color: Black

Seal - HC-B 24-FL-DI-N - 1411465



Replacement flange seal, for HEAVYCON type B24 panel mounting base, latching, for panel mounting base with snapped-on flat gaskets, not for HC-....EMV housing, color: black