

D-SUB contact insert - VS-09-BU-DSUB-HD-EG - 1655108

Please be informed that the data shown in this PDF Document is generated from our Online Catalog. Please find the complete data in the user's documentation. Our General Terms of Use for Downloads are valid (<http://phoenixcontact.com/download>)



D-SUB contact insert, shell size 1, with 15 signal contacts, type of contact socket, with solder cup, straight, fixing with a 3 mm hole, for panel mounting frame VS-09-...



Key Commercial Data

Packing unit	1 pc
Minimum order quantity	10 pc
Weight per Piece (excluding packing)	6.6 g
Custom tariff number	85366990
Country of origin	Germany

Technical data

General data

Number of positions	15
Overvoltage category	III
Pollution degree	2

Standards and Regulations

Flammability rating according to UL 94	V0
--	----

Classifications

eCl@ss

eCl@ss 4.0	27140816
eCl@ss 4.1	27260701
eCl@ss 5.0	27260701
eCl@ss 5.1	27260701
eCl@ss 6.0	27260705

D-SUB contact insert - VS-09-BU-DSUB-HD-EG - 1655108

Classifications

eCl@ss

eCl@ss 7.0	27440309
eCl@ss 8.0	27440302
eCl@ss 9.0	27440205

ETIM

ETIM 2.0	EC000438
ETIM 3.0	EC000438
ETIM 4.0	EC000438
ETIM 5.0	EC001132

UNSPSC

UNSPSC 6.01	30211923
UNSPSC 7.0901	39121522
UNSPSC 11	39121522
UNSPSC 12.01	39121522
UNSPSC 13.2	39121522

Approvals

Approvals

Approvals

EAC / EAC

Ex Approvals

Approvals submitted

Approval details

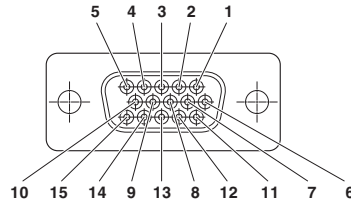
EAC

EAC

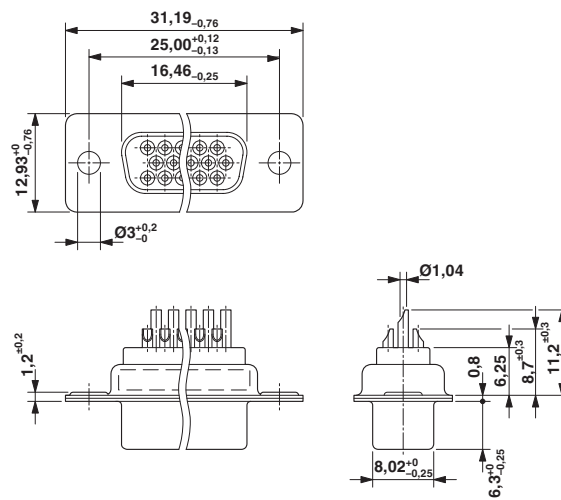
Drawings

D-SUB contact insert - VS-09-BU-DSUB-HD-EG - 1655108

Schematic diagram



Dimensional drawing



D-SUB contact insert