

D-SUB contact support - VS-09-BU-DSUB-2P-LH - 1655289

Please be informed that the data shown in this PDF Document is generated from our Online Catalog. Please find the complete data in the user's documentation. Our General Terms of Use for Downloads are valid (<http://phoenixcontact.com/download>)

D-SUB contact carrier, shell size 1, accommodation for two combined contacts, type of contact socket, fixing with 4-40 UNC thread and solder pins, for panel mounting frame VS-09-...



Key Commercial Data

Packing unit	1 pc
Minimum order quantity	10 pc
Weight per Piece (excluding packing)	10.09 g
Custom tariff number	85366990
Country of origin	Germany

Technical data

Mechanical characteristics

Number of positions	2
Insertion/withdrawal cycles	≥ 500
Connection method	Fitting to accept combined contact
Type of contact	Socket
Mounting type	Threads and solder pins

Ambient conditions

Ambient temperature (operation)	-55 °C ... 125 °C
---------------------------------	-------------------

Material data

Flammability rating according to UL 94	V0
Housing material	Steel, yellow chromated
Contact carrier material	PBTP
Contact surface material	Gold over nickel

Electrical characteristics

D-SUB contact support - VS-09-BU-DSUB-2P-LH - 1655289

Technical data

Electrical characteristics

Number of positions	2
---------------------	---

Standards and Regulations

Flammability rating according to UL 94	V0
--	----

Classifications

eCl@ss

eCl@ss 4.0	27140816
eCl@ss 4.1	27260701
eCl@ss 5.0	27260701
eCl@ss 5.1	27260701
eCl@ss 6.0	27260705
eCl@ss 7.0	27440309
eCl@ss 8.0	27440302
eCl@ss 9.0	27440205

ETIM

ETIM 2.0	EC000438
ETIM 3.0	EC000438
ETIM 4.0	EC000438
ETIM 5.0	EC001132

UNSPSC

UNSPSC 6.01	30211923
UNSPSC 7.0901	39121522
UNSPSC 11	39121522
UNSPSC 12.01	39121522
UNSPSC 13.2	39121522

Approvals

Approvals

Approvals

EAC / EAC / UL Recognized

D-SUB contact support - VS-09-BU-DSUB-2P-LH - 1655289

Approvals

Ex Approvals

Approvals submitted

Approval details

EAC

EAC

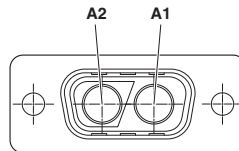
UL Recognized 

Drawings

Drilling diagram

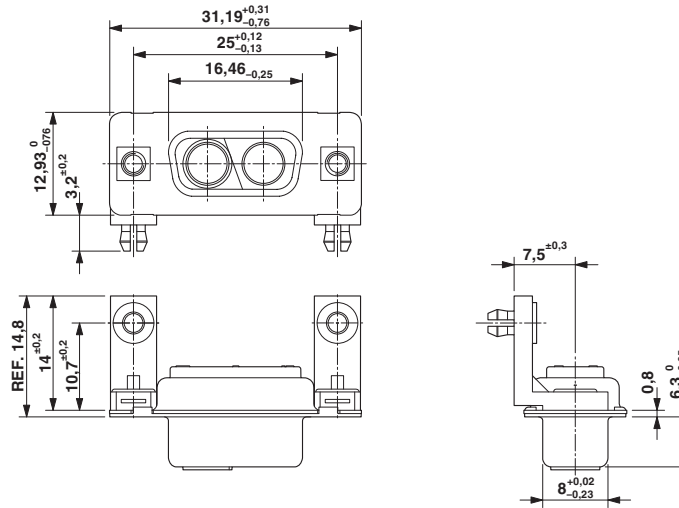
Schematic diagram

Drilling diagram



D-SUB contact support - VS-09-BU-DSUB-2P-LH - 1655289

Dimensional drawing



D-SUB contact carrier