

## FO connectors - VS-SCRJ-HCS-FA-IP67 - 1657012


Please be informed that the data shown in this PDF Document is generated from our Online Catalog. Please find the complete data in the user's documentation. Our General Terms of Use for Downloads are valid (<http://phoenixcontact.com/download>)



SC-RJ fiber optic connector, IP67, duplex, with fast connection technology, for PCF fiber 200/230  $\mu\text{m}$ , for individual wire diameter 2.9 mm, for cable cross section 5.0 mm ... 8.5 mm



### Key Commercial Data

Packing unit	1 pc
GTIN	 4 046356 081375
GTIN	4046356081375
Weight per Piece (excluding packing)	43.500 g
Custom tariff number	85367000
Country of origin	Germany

### Technical data

#### Mechanical characteristics

Number of positions	2
Connection profile	SCRJ in acc. with IEC 61754-24
Fiber type	PCF fiber A3C
Ferrule diameter	2.50 mm
Insertion/withdrawal cycles	$\geq 1000$
External cable diameter	5 mm ... 8.5 mm
Cable outlet	straight
Color	gray
Wire diameter	2.9 mm
Degree of protection	IP67
Type	SCRJ

## FO connectors - VS-SCRJ-HCS-FA-IP67 - 1657012

### Technical data

#### Mechanical characteristics

No. of cable outlets	1
----------------------	---

#### Ambient conditions

Ambient temperature (operation)	-20 °C ... 70 °C
Degree of protection	IP67

#### Material data

Flammability rating according to UL 94	V0
Housing material	PA
O-ring material	FPM
Cable seal material	NBR
Material housing intermediate seal	NBR
Ferrule material	Copper alloy
Ferrule holder color	red
Height	22.8 mm

#### Optical characteristics

Attenuation	≤ 1 dB (Insertion attenuation)
-------------	--------------------------------

#### Standards and Regulations

Flammability rating according to UL 94	V0
--	----

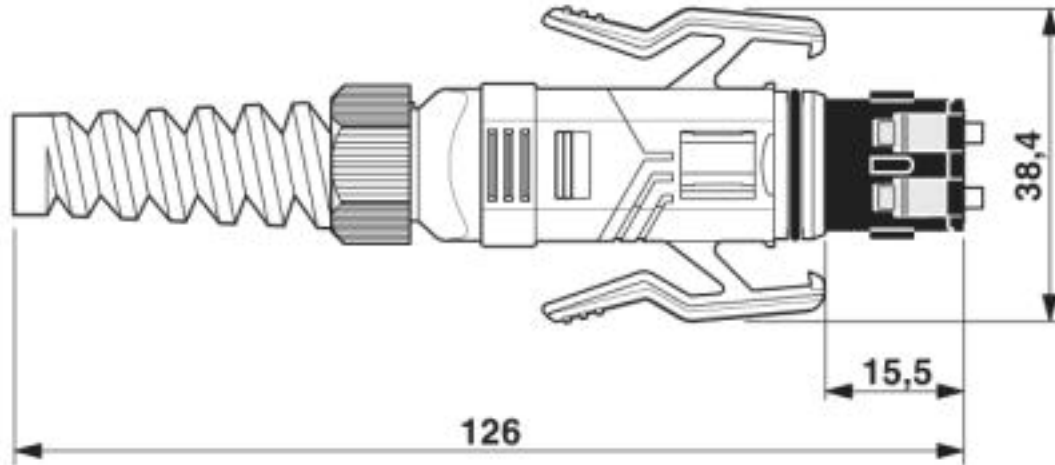
#### Environmental Product Compliance

China RoHS	Environmentally friendly use period: unlimited = EFUP-e
	No hazardous substances above threshold values

### Drawings

## FO connectors - VS-SCRJ-HCS-FA-IP67 - 1657012

Dimensional drawing



SC-RJ connector IP67

### Classifications

eCl@ss

eCl@ss 4.0	27260700
eCl@ss 4.1	27260700
eCl@ss 5.0	27260700
eCl@ss 5.1	27260700
eCl@ss 6.0	27260700
eCl@ss 7.0	27440312
eCl@ss 8.0	19170122
eCl@ss 9.0	19170122

ETIM

ETIM 3.0	EC001122
ETIM 4.0	EC001122
ETIM 5.0	EC001122
ETIM 6.0	EC001122
ETIM 7.0	EC001122

UNSPSC

UNSPSC 6.01	30211832
UNSPSC 7.0901	31261501
UNSPSC 11	31261501
UNSPSC 12.01	31261501

# FO connectors - VS-SCRJ-HCS-FA-IP67 - 1657012

## Classifications

### UNSPSC

UNSPSC 13.2	43223310
-------------	----------

## Approvals

### Approvals

### Approvals

### UL Listed / EAC

### Ex Approvals

## Approval details

UL Listed		<a href="http://database.ul.com/cgi-bin/XYV/template/LISEXT/1FRAME/index.htm">http://database.ul.com/cgi-bin/XYV/template/LISEXT/1FRAME/index.htm</a>	E308814-20070105
-----------	--	---	------------------

EAC		B.01742
-----	--	---------

## Accessories

### Accessories

### Assembly tool

### Assembly tool - PSM-HCS-KONFTOOL/SC-RJ - 2708876



HCS assembly kit for SC-RJ quick mounting connectors, including stripping blade, stripping pliers, aramide yarn scissors, fiber stripper, microscope, fiber cleaving tool for standard HCS and HCS GI fibers, two SC-RJ connectors for standard HCS fiber, and documentation

### Protective cover

## FO connectors - VS-SCRJ-HCS-FA-IP67 - 1657012

### Accessories

Protective covers - VS-SCRJ-PC - 1653757



IP67 protective cover, for covering the male inserts in the sleeve housings IP67, VS-SC-RJ-..., VS-04-..., VS-06-... and VS-08-...