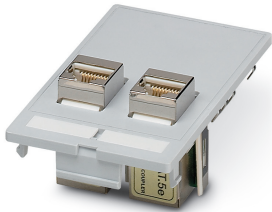



Front plate - VS-SI-FP-2RJ45-5-MOD-BU/BU - 1657766

Please be informed that the data shown in this PDF Document is generated from our Online Catalog. Please find the complete data in the user's documentation. Our General Terms of Use for Downloads are valid (<http://phoenixcontact.com/download>)

Front plate with contact inserts, plastic with shroud, 2x RJ socket/socket



Key Commercial Data

Packing unit	1 pc
GTIN	 4 046356 118705
GTIN	4046356118705
Weight per Piece (excluding packing)	50.800 g
Custom tariff number	85366990
Country of origin	Taiwan

Technical data

Mechanical characteristics

Number of slots	2
Color	gray
Degree of protection	IP20

Ambient conditions

Ambient temperature (operation)	-10 °C ... 60 °C
---------------------------------	------------------

Material data

Flammability rating according to UL 94	V0
Material	PBT (Front plate)
Height	45 mm

Front plate - VS-SI-FP-2RJ45-5-MOD-BU/BU - 1657766

Technical data

Electrical characteristics

Rated voltage (III/3)	50 V
Rated current	1 A

Standards and Regulations

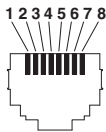
Flammability rating according to UL 94	V0
--	----

Environmental Product Compliance

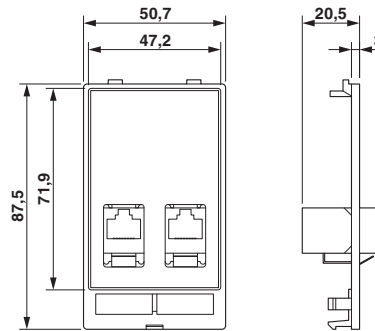
China RoHS	Environmentally Friendly Use Period = 50 years
	For details about hazardous substances go to tab "Downloads", Category "Manufacturer's declaration"

Drawings

Schematic diagram



Dimensional drawing



Dimensional drawing

Classifications

eCl@ss

eCl@ss 10.0.1	27182806
eCl@ss 11.0	27182806
eCl@ss 4.0	27141200
eCl@ss 4.1	27141200
eCl@ss 5.0	27144000
eCl@ss 5.1	27144000
eCl@ss 6.0	27144000
eCl@ss 7.0	27144001
eCl@ss 9.0	27189217

Front plate - VS-SI-FP-2RJ45-5-MOD-BU/BU - 1657766

Classifications

ETIM

ETIM 2.0	EC000007
ETIM 3.0	EC000007
ETIM 4.0	EC000007
ETIM 6.0	EC000456
ETIM 7.0	EC000456

UNSPSC

UNSPSC 6.01	31261501
UNSPSC 7.0901	31261501
UNSPSC 11	31261501
UNSPSC 12.01	31261501
UNSPSC 13.2	31261501
UNSPSC 18.0	39121302
UNSPSC 19.0	39121302
UNSPSC 20.0	39121302
UNSPSC 21.0	39121302

Accessories

Accessories

Device marking

Snap-in markers - UCT-EM (20X7) - 0801494



Snap-in markers, Sheet, white, unlabeled, can be labeled with: TOPMARK NEO, TOPMARK LASER, BLUEMARK ID COLOR, BLUEMARK ID, BLUEMARK CLED, THERMOMARK PRIME, THERMOMARK CARD 2.0, THERMOMARK CARD, mounting type: snapped into marker carrier, lettering field size: 20 x 7 mm, Number of individual labels: 24

Marking material

Marker labels - VS-SI-BZ - 1656660



Marker label, plastic, plate with 20 labels

