

## Component housing - HS LC-V-D3/ R3XC1-5,08 - 2202312


Please be informed that the data shown in this PDF Document is generated from our Online Catalog. Please find the complete data in the user's documentation. Our General Terms of Use for Downloads are valid (<http://phoenixcontact.com/download>)



Fiber optics Can be used for the BC housing range (housing must be processed), Color: transparent



### Key Commercial Data

Packing unit	1 STK
Minimum order quantity	200 STK
GTIN	 4 055626 049939
GTIN	4055626049939
Weight per Piece (excluding packing)	1.000 g
Custom tariff number	90019000
Country of origin	Tunisia

### Technical data

#### General

Housing type	Fiber optics
Housing material	PC
Color	transparent

#### Ambient conditions

Ambient temperature (operation)	-40 °C ... 85 °C
---------------------------------	------------------

#### Dimensions

Pitch	5.08 mm
-------	---------

#### Technical data

Flammability rating according to UL 94	HB
--	----

# Component housing - HS LC-V-D3/ R3XC1-5,08 - 2202312

## Technical data

### Technical data

Number of positions	3
---------------------	---

### Standards and Regulations

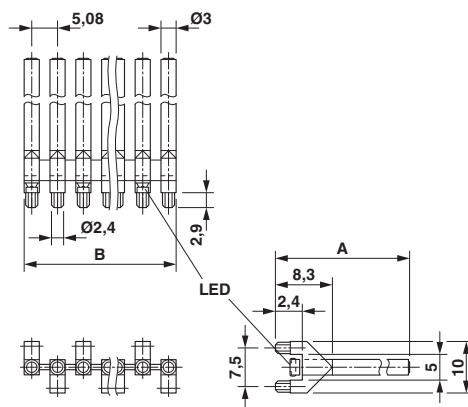
Flammability rating according to UL 94	HB
--	----

### Environmental Product Compliance

China RoHS	Environmentally friendly use period: unlimited = EFUP-e
	No hazardous substances above threshold values

## Drawings

Dimensional drawing



Details on positioning inside the electronics housing can be found in the download area under "Design-In"

## Classifications

### eCl@ss

eCl@ss 5.1	27180506
eCl@ss 6.0	27180802
eCl@ss 8.0	27182702
eCl@ss 9.0	27182702

### ETIM

ETIM 5.0	EC001031
ETIM 6.0	EC001031

### UNSPSC

UNSPSC 13.2	31261501
-------------	----------

