

## Component housing - HS LC-H-D3/ R1XC1 - 2202313


Please be informed that the data shown in this PDF Document is generated from our Online Catalog. Please find the complete data in the user's documentation. Our General Terms of Use for Downloads are valid (<http://phoenixcontact.com/download>)



Fiber optics can be used for the ME, ME-MAX, ME-IO, ME PLC, and EH housing ranges (housing must be processed), Color: transparent



### Key Commercial Data

Packing unit	1 STK
Minimum order quantity	100 STK
GTIN	 4 055626 049946
GTIN	4055626049946
Custom tariff number	90019000
Country of origin	Germany

### Technical data

#### General

Housing type	Fiber optics
Housing material	PMMA
Color	transparent

#### Ambient conditions

Ambient temperature (operation)	-40 °C ... 85 °C
---------------------------------	------------------

#### Technical data

Flammability rating according to UL 94	HB
Number of positions	1

#### Standards and Regulations

Flammability rating according to UL 94	HB
--	----

# Component housing - HS LC-H-D3/ R1XC1 - 2202313

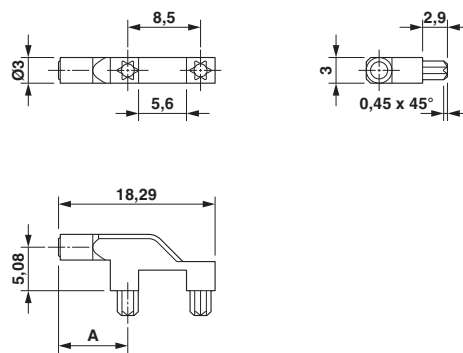
## Technical data

### Environmental Product Compliance

China RoHS	Environmentally friendly use period: unlimited = EFUP-e
	No hazardous substances above threshold values

## Drawings

Dimensional drawing



Details on positioning inside the electronics housing can be found in the download area under "Design-In"

## Classifications

### eCl@ss

eCl@ss 5.1	27180506
eCl@ss 6.0	27180802
eCl@ss 8.0	27182702
eCl@ss 9.0	27182702

### ETIM

ETIM 5.0	EC001031
ETIM 6.0	EC001031

### UNSPSC

UNSPSC 13.2	31261501
-------------	----------