

Retaining bracket - SIM-ERSN-HB-MR/MET - 2271510

Please be informed that the data shown in this PDF Document is generated from our Online Catalog. Please find the complete data in the user's documentation. Our General Terms of Use for Downloads are valid (<http://phoenixcontact.com/download>)

Retainer, for miniature relay



Key Commercial Data

Packing unit	1 pc
Minimum order quantity	10 pc
Weight per Piece (excluding packing)	1.88 g
Custom tariff number	85389099
Country of origin	Germany

Technical data

Dimensions

Hole diameter	1.3 mm
Pitch	5 mm

Classifications

eCl@ss

eCl@ss 4.0	27371190
eCl@ss 4.1	27371190
eCl@ss 5.0	27371692
eCl@ss 5.1	27371692
eCl@ss 6.0	27371001
eCl@ss 7.0	27371001
eCl@ss 8.0	27379208

Retaining bracket - SIM-ERSN-HB-MR/MET - 2271510

Classifications

ETIM

ETIM 2.0	EC000196
ETIM 3.0	EC000196
ETIM 4.0	EC002586
ETIM 5.0	EC002586

UNSPSC

UNSPSC 6.01	30211916
UNSPSC 7.0901	39121515
UNSPSC 11	39121515
UNSPSC 12.01	39121515
UNSPSC 13.2	39121515

Approvals

Approvals

Approvals

EAC

Ex Approvals

Approvals submitted

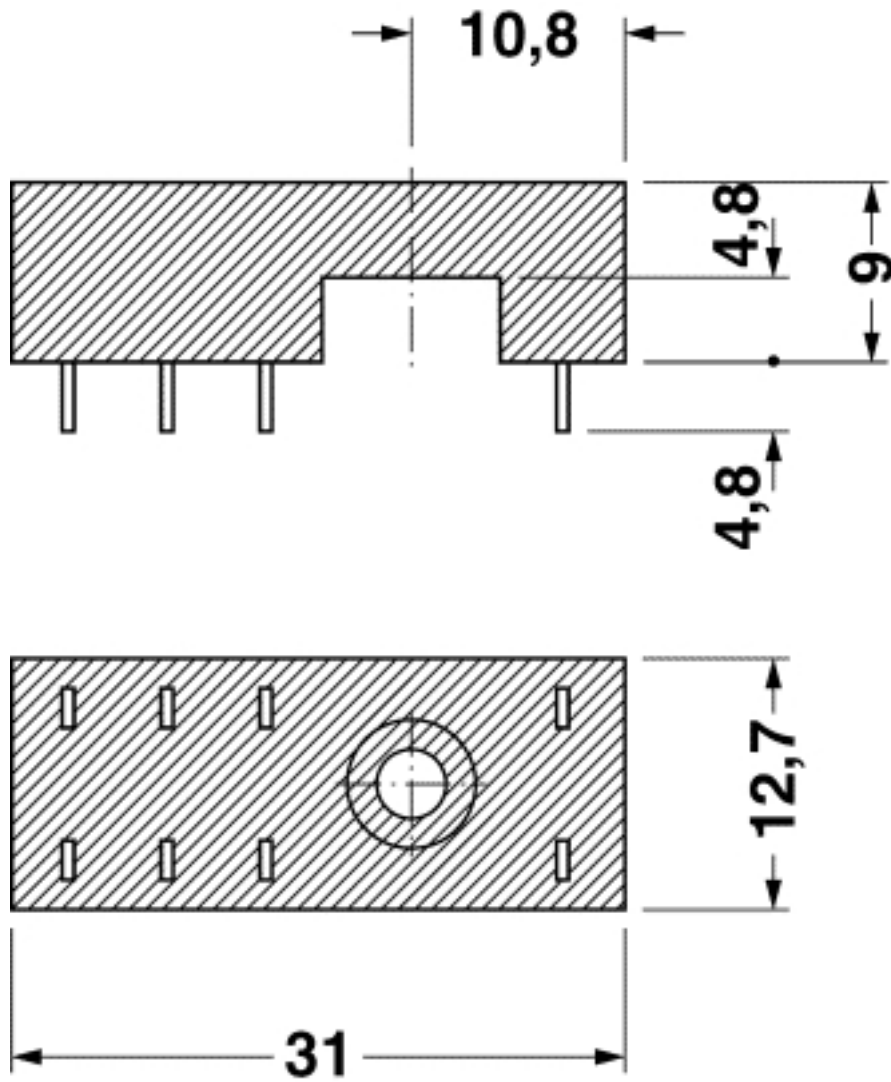
Approval details

EAC

Drawings

Retaining bracket - SIM-ERSN-HB-MR/MET - 2271510

Dimensional drawing



Retaining bracket - SIM-ERSN-HB-MR/MET - 2271510

Drilling diagram

