

## Interface module - DFLK-D15 SUB/S - 2280297

Please be informed that the data shown in this PDF Document is generated from our Online Catalog. Please find the complete data in the user's documentation. Our General Terms of Use for Downloads are valid (<http://phoenixcontact.com/download>)




The VARIOFACE feed-through module implements a 1:1 connection between screw connection terminal blocks and a D-SUB miniature pin strip (number of positions: 15). A separate ground tap is available.

### Your advantages

- 9 to 50-pos.
- 9 to 37-pos.: separate ground tap
- 50-pos.: no ground tap
- According to IEC 60807-2
- Screw connection
- 1:1 connection
- D-SUB 4-40 UNC thread

### Key Commercial Data

Packing unit	1 pc
GTIN	 4 017918 054403
GTIN	4017918054403
Weight per Piece (excluding packing)	59.760 g
Custom tariff number	85369010
Country of origin	Germany

### Technical data

#### Dimensions

Width	40 mm
Height	58.5 mm
Depth	33.5 mm

## Interface module - DFLK-D15 SUB/S - 2280297

### Technical data

#### Ambient conditions

Ambient temperature (operation)	-20 °C ... 50 °C
Ambient temperature (storage/transport)	-20 °C ... 70 °C
Degree of protection	IP20

#### General

Nominal voltage $U_N$	25 V AC
	60 V DC
Max. perm. current (per branch)	2.5 A
Max. permissible current (all branches)	37.5 A
Number of positions	15
Mounting position	any
Assembly instructions	In rows with zero spacing
Degree of protection	IP20

#### Connection data

Connection name	Field level
Connection in acc. with standard	IEC / EN
Connection method	Screw connection
Stripping length	8 mm
Screw thread	M3
Conductor cross section solid	0.2 mm <sup>2</sup> ... 4 mm <sup>2</sup>
Conductor cross section flexible	0.2 mm <sup>2</sup> ... 2.5 mm <sup>2</sup>
Conductor cross section AWG	24 ... 12

#### Connection data 2

Connection name	Controller level
Connection method	D-SUB pin strip
Number of positions	15

#### Standards and Regulations

Connection in acc. with standard	CUL
Standards/regulations	IEC 60664
	DIN EN 50178
Rated insulation voltage	125 V
Rated surge voltage	1.2 kV (Functional insulation)
Degree of pollution	2
Overvoltage category	II

#### Environmental Product Compliance

REACH SVHC	Lead 7439-92-1
------------	----------------

# Interface module - DFLK-D15 SUB/S - 2280297

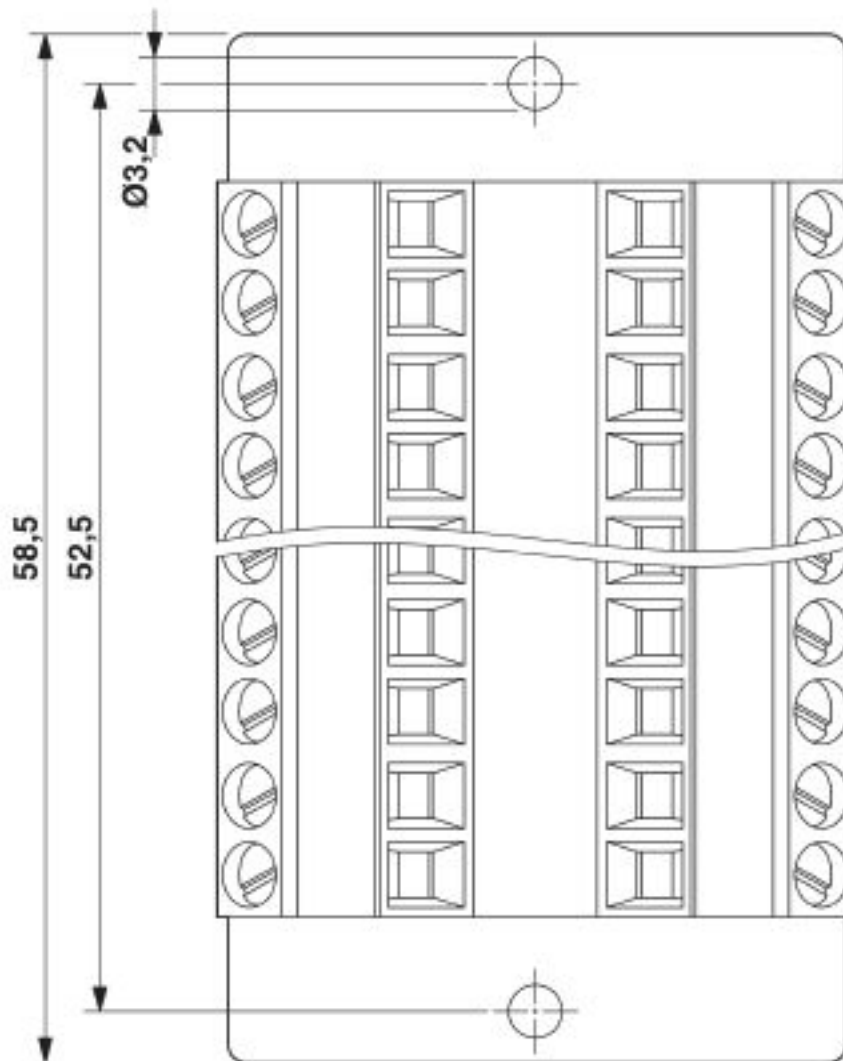
## Technical data

### Environmental Product Compliance

China RoHS	Environmentally Friendly Use Period = 50
	For details about hazardous substances go to tab "Downloads", Category "Manufacturer's declaration"

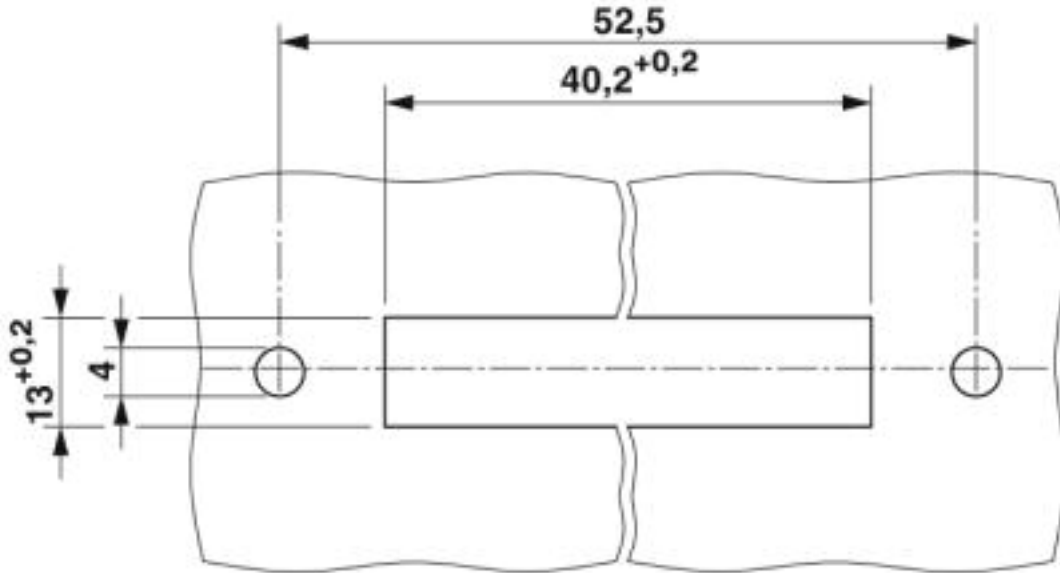
## Drawings

Dimensional drawing



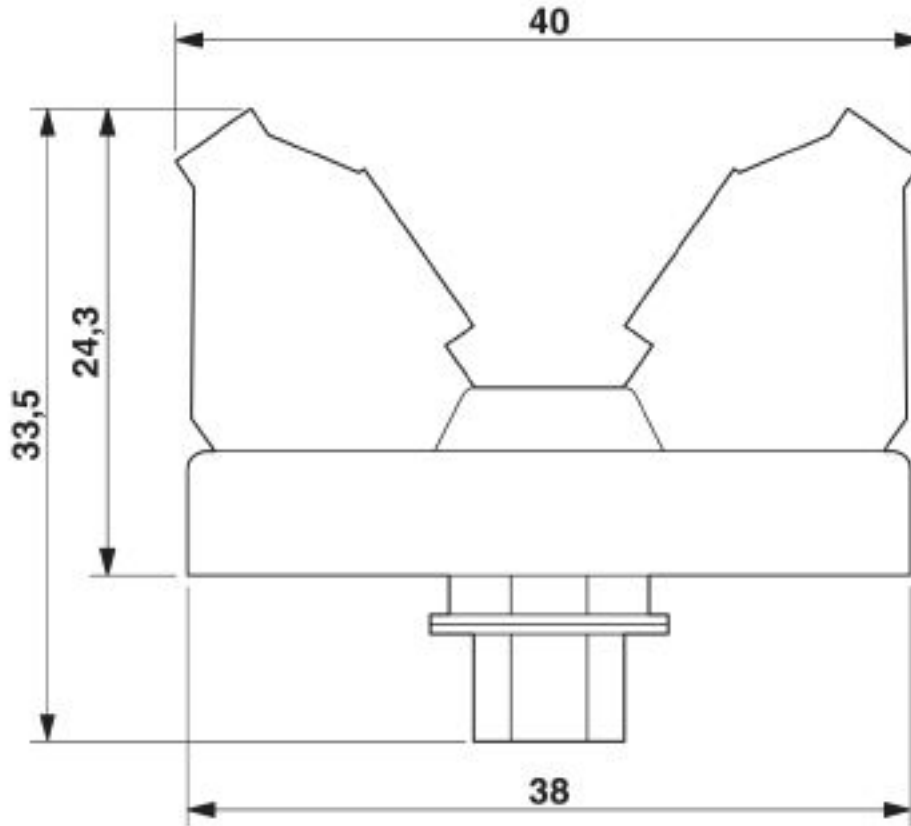
# Interface module - DFLK-D15 SUB/S - 2280297

Dimensional drawing



## Interface module - DFLK-D15 SUB/S - 2280297

Dimensional drawing



### Classifications

#### eCl@ss

eCl@ss 4.0	27250300
eCl@ss 4.1	27250300
eCl@ss 5.0	27250300
eCl@ss 5.1	27250300
eCl@ss 6.0	27242600
eCl@ss 7.0	27141152
eCl@ss 8.0	27141152
eCl@ss 9.0	27141152

#### ETIM

ETIM 4.0	EC002780
ETIM 5.0	EC002780
ETIM 6.0	EC002780

# Interface module - DFLK-D15 SUB/S - 2280297

## Classifications

### ETIM

ETIM 7.0	EC002780
----------	----------

### UNSPSC

UNSPSC 6.01	30211824
UNSPSC 7.0901	39121421
UNSPSC 11	39121421
UNSPSC 12.01	39121421
UNSPSC 13.2	39121432

## Approvals


### Approvals


#### Approvals

UL Recognized / cUL Recognized / EAC / cULus Recognized

#### Ex Approvals

### Approval details

UL Recognized		<a href="http://database.ul.com/cgi-bin/XYV/template/LISEXT/1FRAME/index.htm">http://database.ul.com/cgi-bin/XYV/template/LISEXT/1FRAME/index.htm</a>	FILE E 60425
Nominal voltage UN		125 V	
Nominal current IN		2.5 A	
mm <sup>2</sup> /AWG/kcmil		30-12	

cUL Recognized		<a href="http://database.ul.com/cgi-bin/XYV/template/LISEXT/1FRAME/index.htm">http://database.ul.com/cgi-bin/XYV/template/LISEXT/1FRAME/index.htm</a>	FILE E 60425
Nominal voltage UN		125 V	
Nominal current IN		2.5 A	
mm <sup>2</sup> /AWG/kcmil		30-12	

## Interface module - DFLK-D15 SUB/S - 2280297

### Approvals



### Accessories

#### Accessories

#### System cable

Cable - CABLE-D15SUB/B/S/ 50/KONFEK/S - 2302052



Assembled shielded round cable; connection 1: D-SUB socket strip (1x 15-position); connection 2: D-SUB pin strip (1x 15-position); cable length: 0.5 m

Cable - CABLE-D15SUB/B/S/100/KONFEK/S - 2302065



Assembled shielded round cable; connection 1: D-SUB socket strip (1x 15-position); connection 2: D-SUB pin strip (1x 15-position); cable length: 1 m

Cable - CABLE-D15SUB/B/S/150/KONFEK/S - 2302078



Assembled shielded round cable; connection 1: D-SUB socket strip (1x 15-position); connection 2: D-SUB pin strip (1x 15-position); cable length: 1.5 m

## Interface module - DFLK-D15 SUB/S - 2280297

### Accessories

Cable - CABLE-D15SUB/B/S/200/KONFEK/S - 2302081



Assembled shielded round cable; connection 1: D-SUB socket strip (1x 15-position); connection 2: D-SUB pin strip (1x 15-position); cable length: 2 m

---

Cable - CABLE-D15SUB/B/S/300/KONFEK/S - 2302094



Assembled shielded round cable; connection 1: D-SUB socket strip (1x 15-position); connection 2: D-SUB pin strip (1x 15-position); cable length: 3 m

---

Cable - CABLE-D15SUB/B/S/400/KONFEK/S - 2302104



Assembled shielded round cable; connection 1: D-SUB socket strip (1x 15-position); connection 2: D-SUB pin strip (1x 15-position); cable length: 4 m

---

Cable - CABLE-D15SUB/B/S/600/KONFEK/S - 2302117



Assembled shielded round cable; connection 1: D-SUB socket strip (1x 15-position); connection 2: D-SUB pin strip (1x 15-position); cable length: 6 m

---

Cable - CABLE D-SUB-S/.../.../... - 2302340



Shielded round cable, assembled with one D-SUB male and one female connector, variable cable length

---

## Interface module - DFLK-D15 SUB/S - 2280297

### Accessories

Cable - CABLE D-SUB-B-B-S/.../.../... - 2302421



Shielded round cable, assembled with two D-SUB female connectors, variable cable length

---

Cable - CABLE-D-15SUB/F/OE/0,25/S/0,5M - 2926085



Assembled shielded round cable; connection 1: Single wires (15-position) (The wires are marked and fitted with ferrules. The braided shield is routed to a separate cable end.); connection 2: D-SUB socket strip (1x 15-position); cable length: 0.5 m

---

Cable - CABLE-D-15SUB/F/OE/0,25/S/1,0M - 2926098



Assembled shielded round cable; connection 1: Single wires (15-position) (The wires are marked and fitted with ferrules. The braided shield is routed to a separate cable end.); connection 2: D-SUB socket strip (1x 15-position); cable length: 1 m

---

Cable - CABLE-D-15SUB/F/OE/0,25/S/1,5M - 2926108



Assembled shielded round cable; connection 1: Single wires (15-position) (The wires are marked and fitted with ferrules. The braided shield is routed to a separate cable end.); connection 2: D-SUB socket strip (1x 15-position); cable length: 1.5 m

---

Cable - CABLE-D-15SUB/F/OE/0,25/S/2,0M - 2926111



Assembled shielded round cable; connection 1: Single wires (15-position) (The wires are marked and fitted with ferrules. The braided shield is routed to a separate cable end.); connection 2: D-SUB socket strip (1x 15-position); cable length: 2 m

---

## Interface module - DFLK-D15 SUB/S - 2280297

### Accessories

Cable - CABLE-D-15SUB/F/OE/0,25/S/3,0M - 2926124



Assembled shielded round cable; connection 1: Single wires (15-position) (The wires are marked and fitted with ferrules. The braided shield is routed to a separate cable end.); connection 2: D-SUB socket strip (1x 15-position); cable length: 3 m

---

Cable - CABLE-D-15SUB/F/OE/0,25/S/4,0M - 2926137



Assembled shielded round cable; connection 1: Single wires (15-position) (The wires are marked and fitted with ferrules. The braided shield is routed to a separate cable end.); connection 2: D-SUB socket strip (1x 15-position); cable length: 4 m

---

Cable - CABLE-D-15SUB/F/OE/0,25/S/6,0M - 2926140



Assembled shielded round cable; connection 1: Single wires (15-position) (The wires are marked and fitted with ferrules. The braided shield is routed to a separate cable end.); connection 2: D-SUB socket strip (1x 15-position); cable length: 6 m

---

Cable - CABLE-D-15SUB-F-OE-0,25-S/... - 2900905



Assembled shielded round cable; connection 1: Single wires (15-position) (The wires are marked and fitted with ferrules. The braided shield is routed to a separate cable end.); connection 2: D-SUB socket strip (1x 15-position); cable length: variable

---