

Bus coupler - AXL F BK PB - 2688530

Please be informed that the data shown in this PDF Document is generated from our Online Catalog. Please find the complete data in the user's documentation. Our General Terms of Use for Downloads are valid (<http://phoenixcontact.com/download>)



Axioline F, Bus coupler, PROFIBUS DP, D-SUB-9 female connector, transmission speed in the local bus: 100 Mbps, degree of protection: IP20, including bus base module and Axioline F connector

Product Description


The bus coupler is intended for use within a PROFIBUS network and represents the link to the Axioline F I/O system. Up to 63 Axioline F devices can be connected to the bus coupler. A corresponding GSD file is available for integrating the Axioline F station into the programming system. It can be downloaded at: phoenixcontact.net/product/2688530

Why buy this product

- Up to 63 additional Axioline devices can be connected
- PROFIBUS connection via 9-pos. D-SUB socket
- Electrical isolation between PROFIBUS interface and logic
- Rotary coding switches for setting the PROFIBUS address
- DP/V1 for class 1 and class 2 masters
- PROFIBUS data transmission speed of 9.6 kbps to 12 Mbps
- Dynamic configuration is supported
- I&M functions
- Firmware can be updated
- Typical cycle time of the Axioline F local bus is around 10 μ s



Key Commercial Data

Packing unit	1 STK
GTIN	 4 046356 712903
GTIN	4046356712903
Weight per Piece (excluding packing)	220.000 g
Custom tariff number	85389091
Country of origin	Germany

Bus coupler - AXL F BK PB - 2688530

Technical data

Dimensions

Width	45 mm
Height	125.9 mm
Depth	74 mm
Note on dimensions	The depth is valid when a TH 35-7,5 DIN rail is used (according to EN 60715).

Ambient conditions

Ambient temperature (operation)	-25 °C ... 60 °C (Mounting position: wall mounting on horizontal DIN rail)
	-25 °C ... 55 °C (Mounting position: any)
Ambient temperature (storage/transport)	-40 °C ... 85 °C
Permissible humidity (operation)	5 % ... 95 % (non-condensing)
Permissible humidity (storage/transport)	5 % ... 95 % (non-condensing)
Air pressure (operation)	70 kPa ... 106 kPa (up to 3000 m above sea level)
Air pressure (storage/transport)	70 kPa ... 106 kPa (up to 3000 m above sea level)
Degree of protection	IP20

Connection data

Designation	Axioline F connector
Connection method	Push-in connection
Note on the connection method	Please observe the information provided on conductor cross sections in the "Axioline F: system and installation" user manual.
Conductor cross section solid min.	0.2 mm ²
Conductor cross section solid max.	1.5 mm ²
Conductor cross section flexible min.	0.2 mm ²
Conductor cross section flexible max.	1.5 mm ²
Conductor cross section AWG min.	24
Conductor cross section AWG max.	16
Stripping length	8 mm

General

Mounting type	DIN rail
Net weight	175 g
Note on weight specifications	with connector and bus base module
Diagnostics messages	Diagnostic alarms

Interfaces

Designation	PROFIBUS DP
No. of channels	1
Connection method	D-SUB-9 female connector

Bus coupler - AXL F BK PB - 2688530

Technical data

Interfaces

Transmission speed	9.6 kbps ... 12 Mbps
Number of positions	9
Designation	Axioline F local bus
Connection method	Bus base module
Transmission speed	100 Mbps
Designation	Service
Connection method	Micro USB type B

System limits of the bus coupler

Designation	System limits of the bus coupler
Amount of process data	max. 488 Byte (per station)
	max. 244 Byte (Input)
	max. 244 Byte (Output)
Number of parameter data	max. 244 Byte
Number of configuration data	max. 244 Byte
Number of supported devices	max. 63 (per station)
Number of local bus devices that can be connected	max. 63

Axioline potentials

Designation	Communications power U_L feed-in (the supply of the Axioline F local bus U_{BUS} is generated from U_L)
Supply voltage	24 V DC
Supply voltage range	19.2 V DC ... 30 V DC (including all tolerances, including ripple)
Current consumption	max. 567 mA (with 2 A at U_{BUS} for the I/Os and $U_L = 24$ V)
Power consumption	max. 13.7 W (with 2 A load at U_{BUS} for the I/Os)
Designation	Supply of the Axioline F local bus (U_{BUS})
Supply voltage	5 V DC (via bus base module)
Power supply unit	2 A
Type of protection	Surge protection of the supply voltage
	Polarity reversal protection of the supply voltage

Standards and Regulations

Mechanical tests	Vibration resistance in acc. with EN 60068-2-6/IEC 60068-2-6 5g
	Shock in acc. with EN 60068-2-27/IEC 60068-2-27 30g, 11 ms period, half-sine shock pulse
	Continuous shock according to EN 60068-2-27/IEC 60068-2-27 10g
Protection class	III, IEC 61140, EN 61140, VDE 0140-1

Environmental Product Compliance

China RoHS	Environmentally friendly use period: unlimited = EFUP-e
------------	---

Bus coupler - AXL F BK PB - 2688530

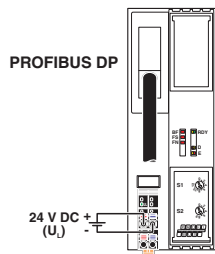
Technical data

Environmental Product Compliance

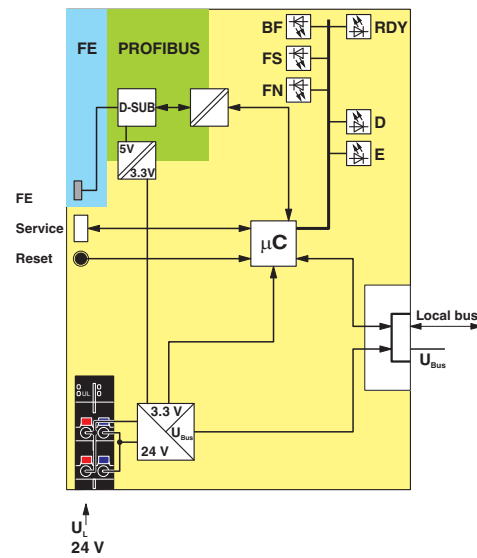
No hazardous substances above threshold values
--

Drawings

Connection diagram

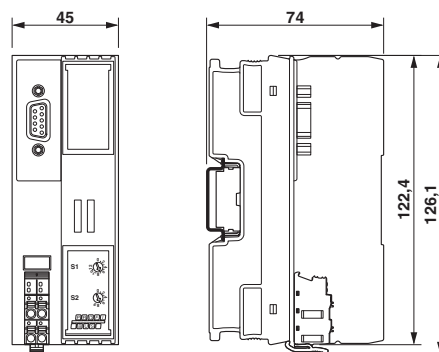


Block diagram



Internal wiring of the terminal points

Dimensional drawing



Classifications

eCl@ss

eCl@ss 4.0	27240490
------------	----------

Bus coupler - AXL F BK PB - 2688530

Classifications

eCl@ss

eCl@ss 4.1	27240490
eCl@ss 5.0	27242208
eCl@ss 5.1	27242608
eCl@ss 6.0	27242608
eCl@ss 7.0	27242608
eCl@ss 8.0	27242608
eCl@ss 9.0	27242608

ETIM

ETIM 3.0	EC001604
ETIM 4.0	EC001604
ETIM 5.0	EC001604
ETIM 6.0	EC001604

UNSPSC

UNSPSC 6.01	43172015
UNSPSC 7.0901	43201404
UNSPSC 11	39121311
UNSPSC 12.01	39121311
UNSPSC 13.2	32151602

Approvals

Approvals

Approvals

UL Listed / cUL Listed / EAC / PROFIBUS / BSH / BSH / NK / RINA / DNV GL / ABS / KR / cULus Listed

Ex Approvals

Approval details

UL Listed		http://database.ul.com/cgi-bin/XYV/template/LISEXT/1FRAME/index.htm	FILE E 238705
-----------	--	---	---------------

Bus coupler - AXL F BK PB - 2688530

Approvals

cUL Listed		http://database.ul.com/cgi-bin/XYV/template/LISEXT/1FRAME/index.htm	FILE E 238705
------------	--	---	---------------

EAC			EAC-Zulassung
-----	--	--	---------------

PROFIBUS			Z02073
----------	--	--	--------

BSH		http://www.bsh.de/de/index.jsp	840
-----	--	---	-----

BSH		http://www.bsh.de/de/index.jsp	840
-----	--	---	-----

NK		http://www.classnk.or.jp/hp/en/	14A006
----	--	---	--------

RINA		http://www.rina.org/en	ELE0078216XG
------	--	---	--------------

DNV GL		http://exchange.dnv.com/tari/	TAA00000DF
--------	--	---	------------

ABS		http://www.eagle.org/eagleExternalPortalWEB/	17-HG1669996-PDA
-----	--	---	------------------

KR		http://www.krs.co.kr/eng/main/main.aspx	HMB17372-AC002
----	--	---	----------------

cULus Listed			
--------------	--	--	--

Accessories

Accessories

Data plug

Bus coupler - AXL F BK PB - 2688530

Accessories

D-SUB bus connector - SUBCON-PLUS-PROFIB/35/M12 - 2902320



D-SUB plug, 9-pos., pin, assignment: 3, 5, 6, 8; two M12 cable glands (B-coded) under 35°. Bus system: PROFIBUS DP up to 12 Mbps. Termination resistor via separate M12 terminator.

D-SUB bus connector - SUBCON-PLUS-PROFIB/SC2 - 2708232



D-SUB connector, 9-pos., male connector, cable entry < 35°, bus system: PROFIBUS DP up to 12 Mbps, termination resistor can be switched on via slide switch, pin assignment: 3, 5, 6, 8; screw connection terminal blocks

D-SUB bus connector - SUBCON-PLUS-PROFIB/90/IDC - 2313672



D-SUB connector, 9-pos., male connector, cable entry < 90°, bus system: PROFIBUS DP up to 12 Mbps, termination resistor can be switched on via slide switch, pin assignment: 3, 5, 6, 8; IDC terminal block connection

D-SUB bus connector - SUBCON-PLUS-PROFIB/90/SC - 2313698



D-SUB connector, 9-pos., male connector, cable entry < 90°, bus system: PROFIBUS DP up to 12 Mbps, termination resistor can be switched on via slide switch, pin assignment: 3, 5, 6, 8; screw connection terminal blocks

D-SUB bus connector - SUBCON-PLUS-PROFIB/AX/SC - 2744380



D-SUB connector, 9-pos., male connector, axial version with two cable entries, bus system: PROFIBUS DP up to 12 Mbps, termination resistor can be switched on via slide switch, pin assignment: 3, 5, 6, 8; screw connection terminal blocks

Device marking

Bus coupler - AXL F BK PB - 2688530

Accessories

Insert label - EMT (35X18,7)R - 0801831



Insert label, Roll, white, unlabeled, can be labeled with: THERMOMARK ROLL, THERMOMARK ROLL X1, THERMOMARK ROLLMASTER 300/600, THERMOMARK X1.2, THERMOMARK S1.1, mounting type: snapped into marker carrier, lettering field size: 35 x 18.7 mm

DIN rail connector

Bus connector - AXL BS BK - 2701422



Axioline F bus base module for housing type BK

Plug

Plug - AXL CN S/UL - 2701421



Axioline F short power connector (for e.g., AXL F BK ...)

Programming cable

Connecting cable - CAB-USB A/MICRO USB B/2,0M - 2701626



Connecting cable, for connecting the controller to a PC for PC Worx and LOGIC+, USB A to micro USB B, 2 m in length.

Terminal marking

Bus coupler - AXL F BK PB - 2688530

Accessories

Zack marker strip - ZB 20,3 AXL UNPRINTED - 0829579



Zack marker strip for Axioline F (device labeling), in 2 x 20.3 mm pitch, unprinted, 25-section, for individual labeling with B-STIFT 0.8, X-PEN, or CMS-P1-PLOTTER

Zack Marker strip, flat - ZBF 10/5,8 AXL UNPRINTED - 0829580



Zack marker strip, flat, in 10 mm pitch, unprinted, 10-section, for individual labeling with M-PEN 0,8, X-PEN, or CMS-P1-PLOTTER