

Mounting brackets - PSD-S ME BR-SM - 2700144

Please be informed that the data shown in this PDF Document is generated from our Online Catalog. Please find the complete data in the user's documentation. Our General Terms of Use for Downloads are valid (<http://phoenixcontact.com/download>)




Angle for floor mounting, black

Why buy this product

- ✔ One-sided assembly for up to 5 signal elements
- ✔ Without concealed cable routing

Key Commercial Data

Packing unit	1 STK
GTIN	 4 046356 491365
GTIN	4046356491365
Weight per Piece (excluding packing)	40.000 g
Custom tariff number	39269097
Country of origin	Germany

Technical data

Dimensions

Diameter	55 mm
Height	57 mm

Ambient conditions

Ambient temperature (operation)	-30 °C ... 50 °C
---------------------------------	------------------

General

Material	PA A3 x 2G5
Color	black

Mounting brackets - PSD-S ME BR-SM - 2700144

Technical data

General

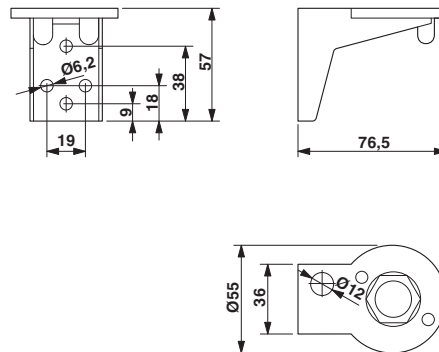
Weight	40 g
Mounting position	any
Mounting type	Base mounting
Scope of delivery	2 x plastic screw 1 x cable threaded joint 1 x nut

Environmental Product Compliance

China RoHS	Environmentally friendly use period: unlimited = EFUP-e
	No hazardous substances above threshold values

Drawings

Dimensional drawing



Classifications

eCl@ss

eCl@ss 4.0	27143203
eCl@ss 4.1	27143203
eCl@ss 5.0	27371235
eCl@ss 5.1	27371235
eCl@ss 6.0	27189263
eCl@ss 7.0	27189263
eCl@ss 8.0	27371233
eCl@ss 9.0	27371233

ETIM

ETIM 3.0	EC000326
ETIM 4.0	EC002622

Mounting brackets - PSD-S ME BR-SM - 2700144

Classifications

ETIM

ETIM 5.0	EC001153
ETIM 6.0	EC001153

UNSPSC

UNSPSC 6.01	43172015
UNSPSC 7.0901	43201404
UNSPSC 11	39121311
UNSPSC 12.01	39121311
UNSPSC 13.2	39121311

Approvals


Approvals


Approvals

EAC / EAC

Ex Approvals

Approval details

EAC		RU *- DE.A*30.B.00237
-----	---	--------------------------

EAC		EAC-Zulassung
-----	---	---------------