

Communication module - AXL F IF CAN 1H - 2702668

Please be informed that the data shown in this PDF Document is generated from our Online Catalog. Please find the complete data in the user's documentation. Our General Terms of Use for Downloads are valid (<http://phoenixcontact.com/download>)



Axioline F, interface module, CAN, transparent protocol, max. transmission speed of 1 Mbps, IP20 protection, including bus base module and Axioline F connectors

Product Description

The module is designed for use within an Axioline F station.


This module can be used to integrate a lower-level CAN bus system into the Axioline F station and therefore the bus system used.

This Axioline F module acts as the interface for the transparent reading and writing of CAN telegrams. With appropriate programming on the higher-level controller, it is suitable for CANopen[®], J1939, NMEA 2000, and proprietary CAN protocols.

Your advantages

- ✓ Transparent reading and writing of CAN telegrams
- ✓ Integrated buffer storage unit for 256 CAN telegrams in the receive direction and 64 CAN telegrams in the send direction
- ✓ Parameterizable filter function for 60 filters (11-bit CAN identifier) and 30 filters (29-bit CAN identifier)
- ✓ Device rating plate stored
- ✓ Diagnostic and status indicators

Key Commercial Data

Packing unit	1 pc
GTIN	 4 055626 317175
GTIN	4055626317175
Weight per Piece (excluding packing)	200.000 g
Custom tariff number	85389091
Country of origin	Germany

Technical data

Dimensions

Width	35 mm
-------	-------

Communication module - AXL F IF CAN 1H - 2702668

Technical data

Dimensions

Height	126.1 mm
Depth	54 mm
Note on dimensions	The depth is valid when a TH 35-7,5 DIN rail is used (according to EN 60715).

Ambient conditions

Ambient temperature (operation)	-25 °C ... 60 °C
Ambient temperature (storage/transport)	-40 °C ... 85 °C
Permissible humidity (operation)	5 % ... 95 % (non-condensing)
Permissible humidity (storage/transport)	5 % ... 95 % (non-condensing)
Air pressure (operation)	70 kPa ... 106 kPa (up to 3000 m above sea level)
Air pressure (storage/transport)	70 kPa ... 106 kPa (up to 3000 m above sea level)
Degree of protection	IP20

Connection data

Designation	Axioline F connector
Connection method	Push-in connection
Note on the connection method	Please observe the information provided on conductor cross sections in the "Axioline F: system and installation" user manual.
	Applications with UL approval: only use copper conductors.
Conductor cross section solid min.	0.2 mm ²
Conductor cross section solid max.	1.5 mm ²
Conductor cross section flexible min.	0.2 mm ²
Conductor cross section flexible max.	1.5 mm ²
Conductor cross section AWG min.	24
Conductor cross section AWG max.	16
Stripping length	8 mm

General

Mounting type	DIN rail
Color	traffic grey A RAL 7042
Net weight	189.3 g
Note on weight specifications	with connectors and bus base module
Mounting position	any (no temperature derating)

Interfaces

Designation	Axioline F local bus
No. of channels	2
Connection method	Bus base module
Transmission speed	100 Mbps

Communication module - AXL F IF CAN 1H - 2702668

Technical data

Interfaces

Interface	CAN bus
Connection method	Push-in connection
Transmission physics	CAN bus according to standard ISO 11898-2 (high-speed CAN)
No. of channels	1
Protocols supported	CAN

Axioline potentials

Designation	Axioline F local bus supply (U_{Bus})
Supply voltage	5 V DC (via bus base module)
Current consumption	max. 150 mA
Power consumption	max. 0.75 W
Designation	Supply voltage input U_i
Supply voltage	24 V DC
Supply voltage range	19.2 V DC ... 30 V DC including all tolerances, including ripple
Current consumption	max. 25 mA
Power consumption	max. 0.6 W

Electrical isolation

Test section	5 V supply of the local bus (U_{Bus}) / 24 V supply (I/Os) 500 V AC 50 Hz 1 min.
	5 V supply of the local bus (U_{Bus}) / CAN I/Os 500 V AC 50 Hz 1 min.
	24 V supply (I/O) / CAN I/O 500 V AC 50 Hz 1 min.
	5 V supply of the local bus (U_{Bus}) / functional ground 500 V AC 50 Hz 1 min.
	24 V supply (I/O) / functional earth ground 500 V AC 50 Hz 1 min.

Standards and Regulations

Mechanical tests	Vibration resistance in acc. with EN 60068-2-6/IEC 60068-2-6 5g
	Shock in acc. with EN 60068-2-27/IEC 60068-2-27 30g
	Continuous shock according to EN 60068-2-27/IEC 60068-2-27 10g
Protection class	III (IEC 61140, EN 61140, VDE 0140-1)

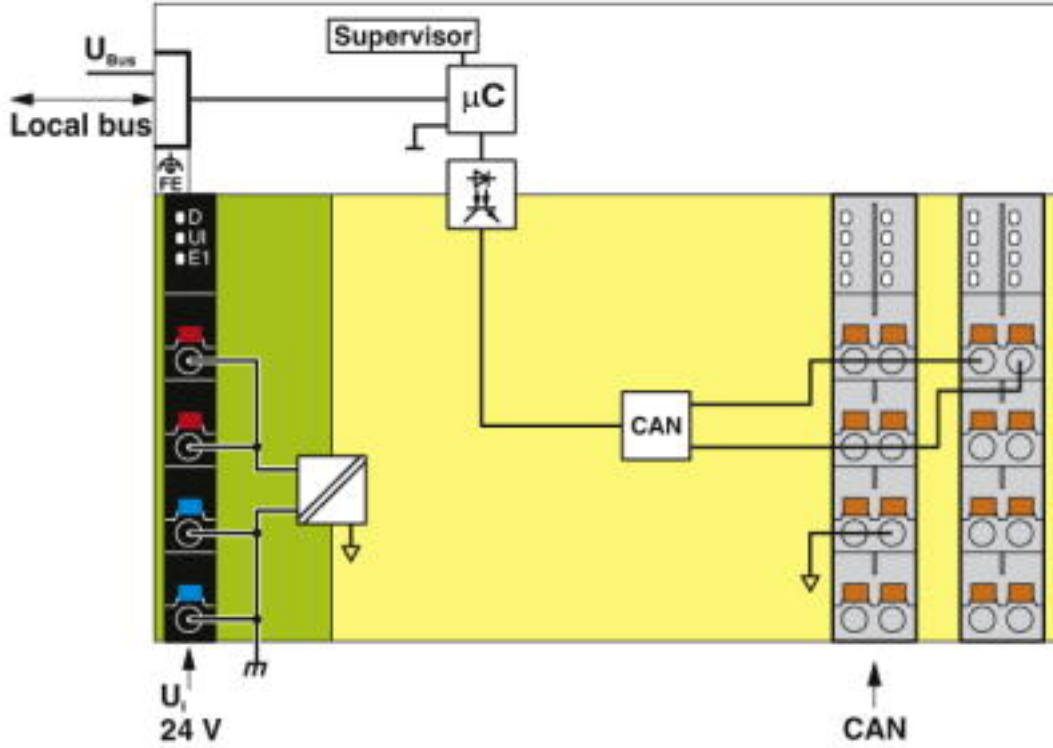
Environmental Product Compliance

REACH SVHC	Lead 7439-92-1
China RoHS	Environmentally Friendly Use Period = 50 years
	For details about hazardous substances go to tab "Downloads", Category "Manufacturer's declaration"

Drawings

Communication module - AXL F IF CAN 1H - 2702668

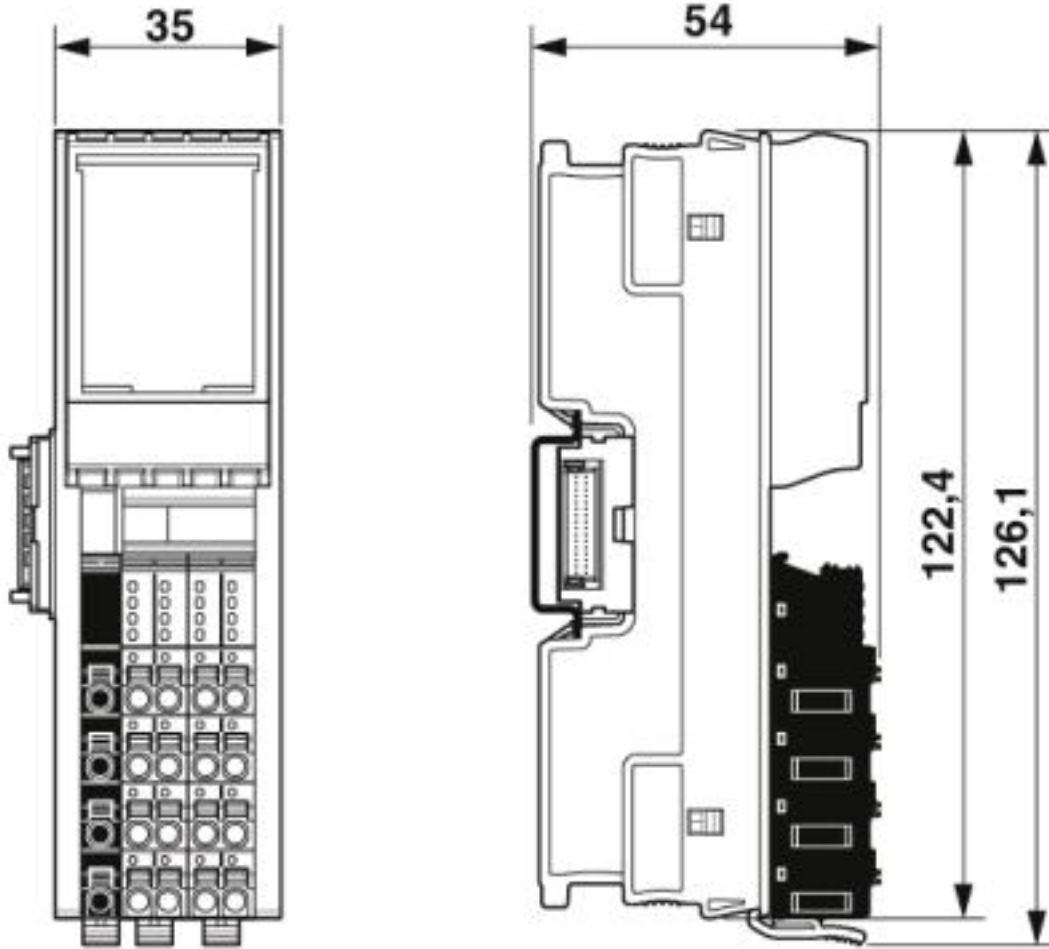
Block diagram



Internal wiring of the terminal points

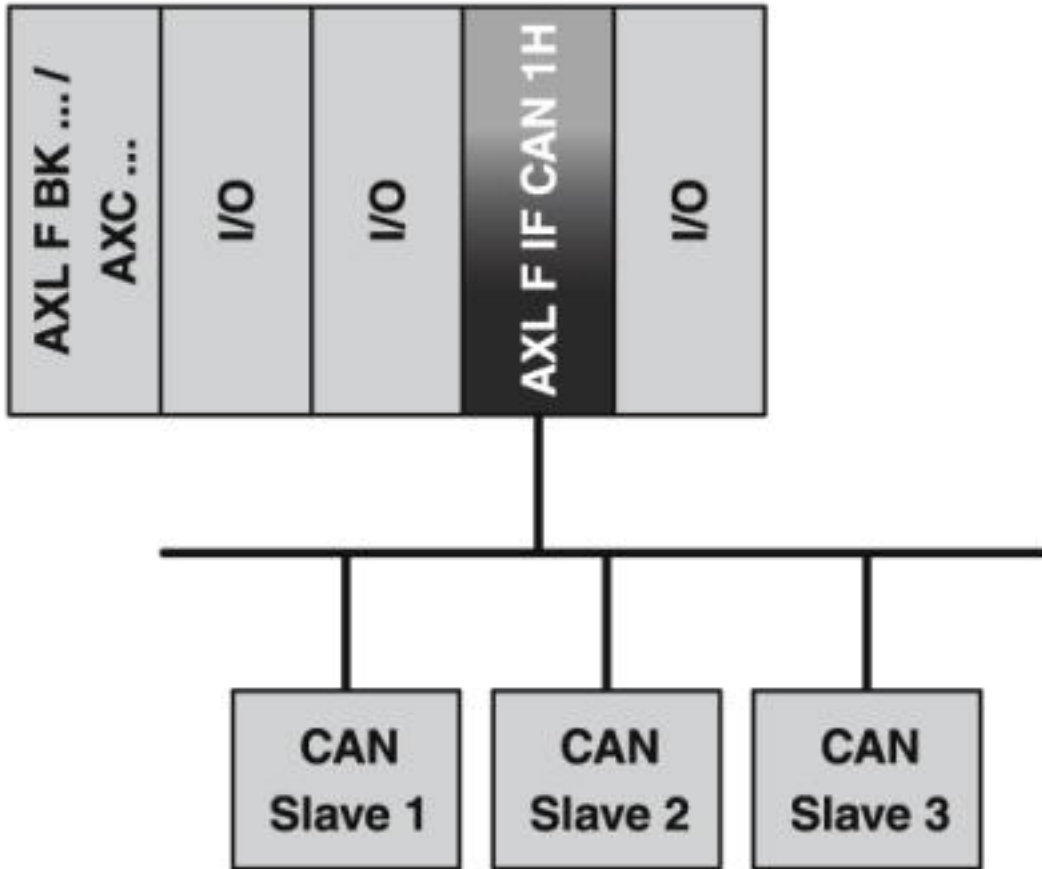
Communication module - AXL F IF CAN 1H - 2702668

Dimensional drawing



Communication module - AXL F IF CAN 1H - 2702668

Schematic diagram



Connection example

Classifications

eCl@ss

eCl@ss 10.0.1	27242605
eCl@ss 4.0	27240409
eCl@ss 4.1	27240409
eCl@ss 5.0	27242205
eCl@ss 5.1	27242605
eCl@ss 6.0	27242600
eCl@ss 7.0	27242605
eCl@ss 8.0	27242605
eCl@ss 9.0	27242605

Communication module - AXL F IF CAN 1H - 2702668

Classifications

ETIM

ETIM 3.0	EC001599
ETIM 4.0	EC001435
ETIM 5.0	EC001601
ETIM 6.0	EC001601
ETIM 7.0	EC001601

UNSPSC

UNSPSC 6.01	43172015
UNSPSC 7.0901	43201404
UNSPSC 11	39121311
UNSPSC 12.01	39121311
UNSPSC 13.2	32151602
UNSPSC 18.0	32151602
UNSPSC 19.0	32151602
UNSPSC 20.0	32151602
UNSPSC 21.0	32151602

Approvals

Approvals

Approvals


ABS / BSH / RINA / PRS / BV / NK / KR / LR / DNV GL

Ex Approvals

Approval details

ABS	http://www.eagle.org/eagleExternalPortalWEB/	18-HG1767360-PDA
-----	---	------------------

BSH		840
-----	--	-----

RINA		http://www.rina.org/en	ELE256518XG
------	---	---	-------------

Communication module - AXL F IF CAN 1H - 2702668

Approvals

PRS		http://www.prs.pl/	TE/2239/880590/19
BV		http://www.veristar.com/portal/veristarinfo/generalinfo/approved/approvedProducts/equipmentAndMaterials	36433/B1 BV
NK		http://www.classnk.or.jp/hp/en/	14A006
KR		http://www.krs.co.kr/eng/main/main.aspx	HMB17372-AC002
LR		http://www.lr.org/en	14-20019
DNV GL		https://approvalfinder.dnvgl.com/	TAA00000DF

Accessories

Accessories

Device marking

Insert label - EMT (35X28)R - 0801602



Insert label, Roll, white, unlabeled, can be labeled with: THERMOMARK ROLLMASTER 300/600, THERMOMARK X1.2, THERMOMARK ROLL X1, THERMOMARK ROLL 2.0, THERMOMARK ROLL, mounting type: snapped into marker carrier, lettering field size: 35 x 28 mm, Number of individual labels: 500

DIN rail connector

Communication module - AXL F IF CAN 1H - 2702668

Accessories

Bus connector - AXL F BS H - 2700992



Axioline F bus base module for housing type H

Shield connection

Shield connection - AXL SHIELD SET - 2700518



Axioline shield connection set (contains 2 shield bus holders and 2 SK 5 shield connection clamps)

Terminal marking

Zack marker strip - ZB 20,3 AXL UNPRINTED - 0829579



Zack marker strip for Axioline F (device labeling), in 2 x 20.3 mm pitch, unprinted, 25-section, for individual labeling with B-STIFT 0.8, X-PEN, or CMS-P1-PLOTTER

Zack Marker strip, flat - ZBF 10/5,8 AXL UNPRINTED - 0829580



Zack Marker strip, flat, Strip, white, unlabeled, can be labeled with: PLOTMARK, CMS-P1-PLOTTER, mounting type: snap into flat marker groove, for terminal block width: 10.15 mm, lettering field size: 4 of 10.15 x 5 mm and 1 of 5.8 x 5 mm, Number of individual labels: 50