

I/O module - IB ST 24 BDO 16/3-250 - 2750167

Please be informed that the data shown in this PDF Document is generated from our Online Catalog. Please find the complete data in the user's documentation. Our General Terms of Use for Downloads are valid (<http://phoenixcontact.com/download>)



INTERBUS-ST digital output module, 16 outputs, 24 V DC, 250 mA, 3-wire connection method, IP20 protection, consisting of: Terminal part with screw connection and module electronics

Product Description

INTERBUS ST standard digital output modules

The digital INTERBUS output modules are designed for the connection of digital actuators, such as electromechanical valves, contactors or lamps. In addition to the standard IB ST 24 BDO modules, the range is rounded off by modules with extended functionality.

The scope of functions provided by the standard models covers the majority of applications. On top of this, several modules provide additional electronic functions, such as:

- Output channels in up to four electrically isolated groups
- Separate electronic short-circuit protection for each output channel
- Higher output current, which are needed in individual applications.

All the typical advantages of INTERBUS-ST handling, such as multi-wire connection methods and plug-in electronics are provided by both product lines.



Key Commercial Data

Packing unit	1 pc
GTIN	 4 017918 108304
Weight per Piece (excluding packing)	736.0 g
Custom tariff number	85389091
Country of origin	Germany

Technical data

Dimensions

Width	118 mm
Height	117 mm
Length	116 mm

Ambient conditions

Degree of protection	IP20
----------------------	------

I/O module - IB ST 24 BDO 16/3-250 - 2750167

Technical data

Interfaces

Interface	ST local bus
Connection method	INTERBUS-ST local bus

Power supply

Communications power U_L	9 V DC (from the ST local bus)
Typical current consumption	100 mA (from the ST local bus)
I/O voltage	24 V DC
Residual ripple	$\pm 1.2 V_{pp}$
I/O voltage range	20 V DC ... 30 V DC

Electrical isolation

Test section	Module electronics/Channel groups 500 V AC 50 Hz 1 min.
	Ground conductor/channel groups 500 V AC 50 Hz 1 min.
	Between channel groups 500 V AC 50 Hz 1 min.

Outputs

Number of outputs	16
Number of output groups	1
Connection method	3-conductor (shielded)
Output voltage	$U_s - 2 V$
Maximum output current per channel	250 mA
Maximum output current per group	0.8 A
Minimum output current per channel	1 mA
Maximum output current per module / terminal block	3.2 A
Nominal load, ohmic	12 W (max. 100 Hz/47 Ω)
Nominal load, lamp	6 W
Nominal load, inductive	12 VA (0.5 Hz at 1.2 H/47 Ω)
Protective circuit	Short-circuit protection of outputs Electronic, in output groups of two

General

Weight	770 g
--------	-------

Standards and Regulations

Test section	Module electronics/Channel groups 500 V AC 50 Hz 1 min.
	Ground conductor/channel groups 500 V AC 50 Hz 1 min.
	Between channel groups 500 V AC 50 Hz 1 min.

I/O module - IB ST 24 BDO 16/3-250 - 2750167

Classifications

eCl@ss

eCl@ss 4.0	27250302
eCl@ss 4.1	27250302
eCl@ss 5.0	27250302
eCl@ss 5.1	27242604
eCl@ss 6.0	27242604

ETIM

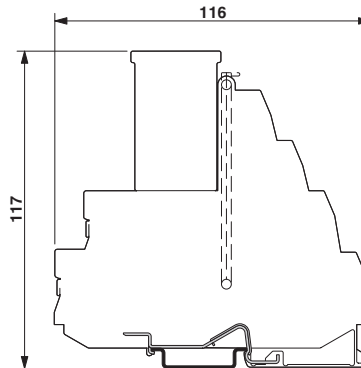
ETIM 2.0	EC001430
ETIM 3.0	EC001599
ETIM 4.0	EC001599
ETIM 5.0	EC001599

UNSPSC

UNSPSC 6.01	43172015
UNSPSC 7.0901	43201404
UNSPSC 11	43172015
UNSPSC 12.01	43201404
UNSPSC 13.2	43201404

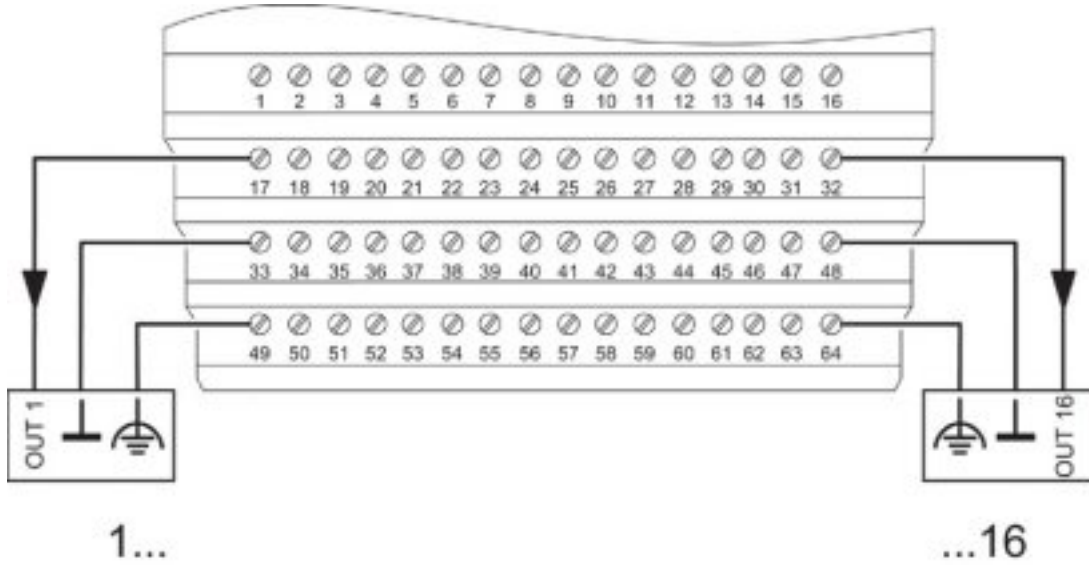
Drawings

Dimensional drawing



I/O module - IB ST 24 BDO 16/3-250 - 2750167

Connection diagram



I/O module - IB ST 24 BDO 16/3-250 - 2750167

Block diagram

