

## Mounting base housing - EG 67,5-G/ABS GN - 2764292

Please be informed that the data shown in this PDF Document is generated from our Online Catalog. Please find the complete data in the user's documentation. Our General Terms of Use for Downloads are valid (<http://phoenixcontact.com/download>)




Lower housing part, with snap-on foot

The figure shows a fully mounted version of the electronic housing

### Your advantages

- ✓ Tool-free mounting
- ✓ Fast snap-on mounting on symmetrical DIN rails according to EN 60715
- ✓ Date of manufacture and material and part identification embossed on the housing (recyclability)
- ✓ Optimum accommodation of electronic components with graded pitches with a design width of 22.5 mm, 45 mm, 67.5 mm, and 90 mm
- ✓ Practical and easy-to-wire conductor connection using extra finely stranded sturdy screw terminal blocks up to 2.5 mm<sup>2</sup>
- ✓ Functional and industry-oriented housing technology
- ✓ Shock and contamination-proof accommodation of electronic components (IP40 housing, IP20 terminal blocks)

### Key Commercial Data

Packing unit	1 pc
Minimum order quantity	5 pc
GTIN	 4 017918 108052
GTIN	4017918108052
Weight per Piece (excluding packing)	79.310 g
Custom tariff number	85389099
Country of origin	Poland

### Technical data

#### General

Housing type	Component housing
--------------	-------------------

## Mounting base housing - EG 67,5-G/ABS GN - 2764292

### Technical data

#### General

Housing material	Acryl butadiene styrene (ABS)
Color (RAL)	green

#### Ambient conditions

Ambient temperature (operation)	-40 °C ... 80 °C
---------------------------------	------------------

#### Dimensions

Length	75 mm
Height	107.5 mm
Width	67.5 mm
Depth	75 mm

#### Technical data

Power dissipation without gap	5 W
Power dissipation with 20 mm gap	7.5 W
Number of positions	26

#### Standards and Regulations

Flammability rating according to UL 94	HB
--	----

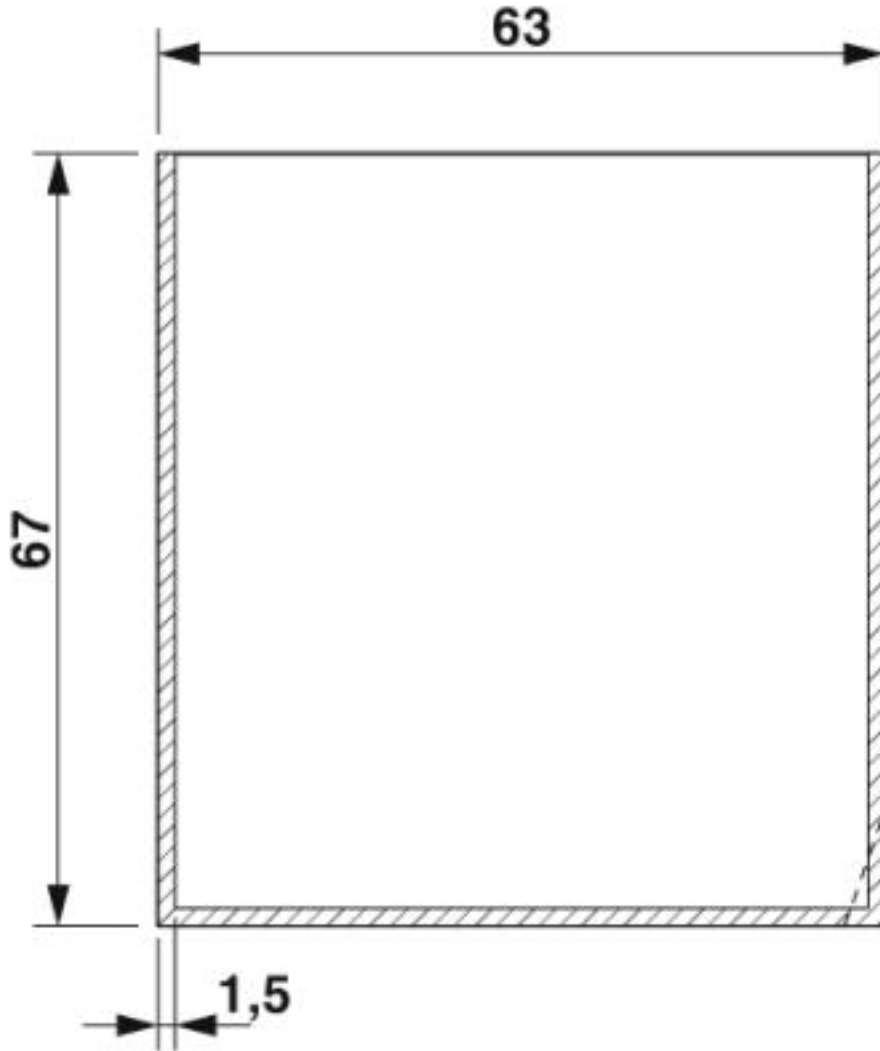
#### Environmental Product Compliance

China RoHS	Environmentally friendly use period: unlimited = EFUP-e
	No hazardous substances above threshold values

### Drawings

# Mounting base housing - EG 67,5-G/ABS GN - 2764292

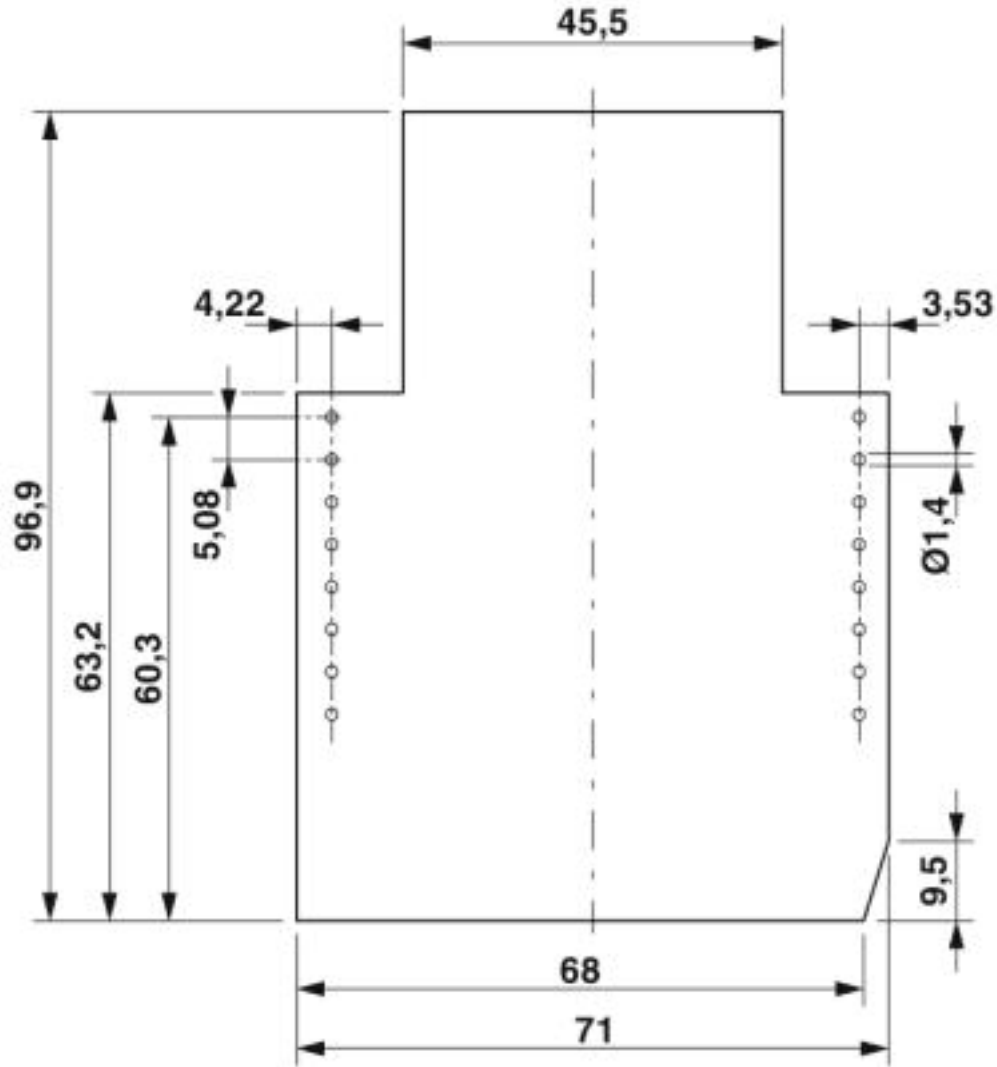
Dimensional drawing



valid for PCB 1; 2; 3; 4; 5 und 6, see explosion drawing

# Mounting base housing - EG 67,5-G/ABS GN - 2764292

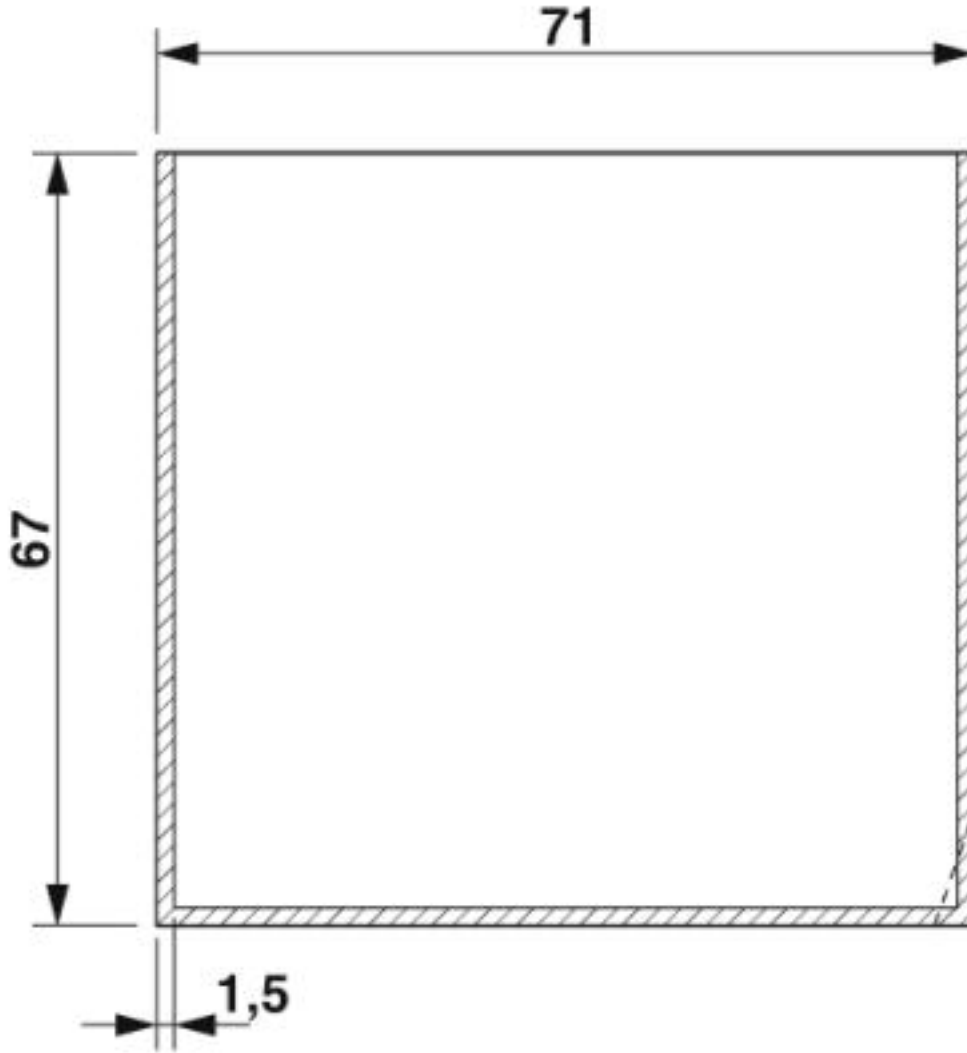
Dimensional drawing



Component mounting side, if the double-level upper part is used

# Mounting base housing - EG 67,5-G/ABS GN - 2764292

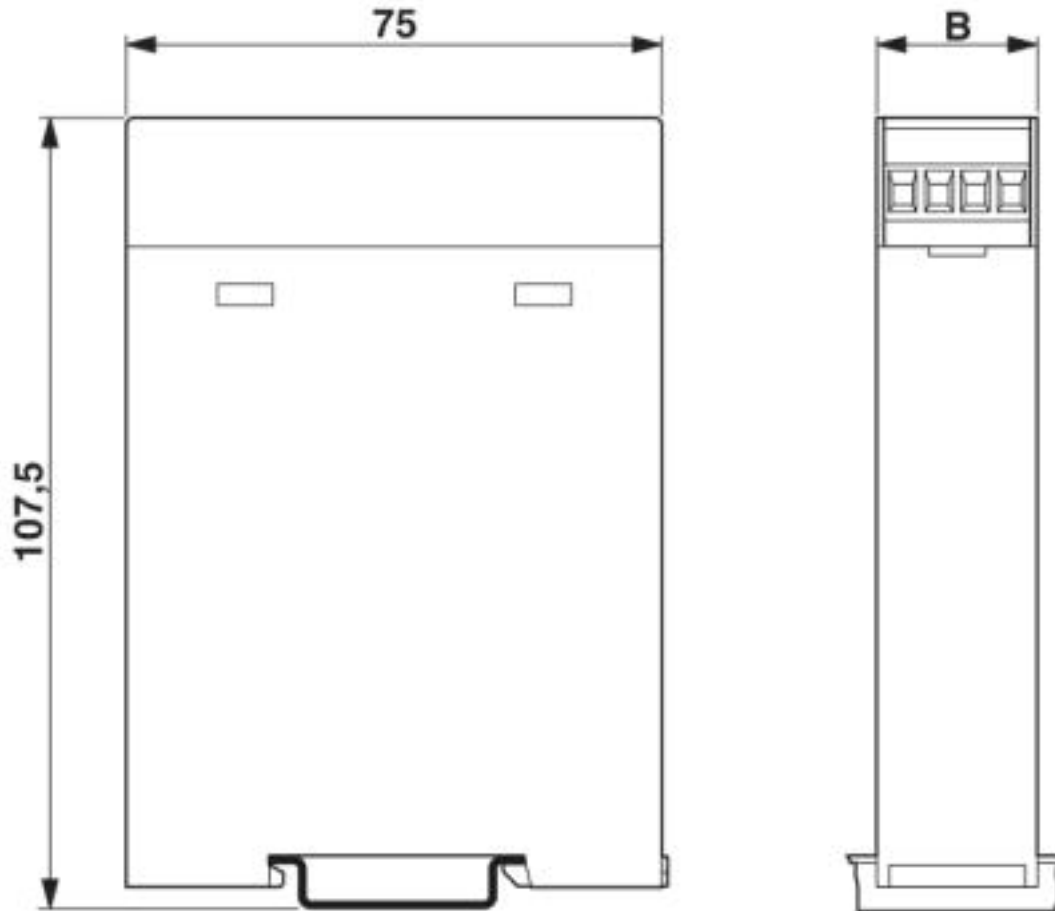
Dimensional drawing



valid for PCB 7; 8; 11 and 12, see explosion drawing

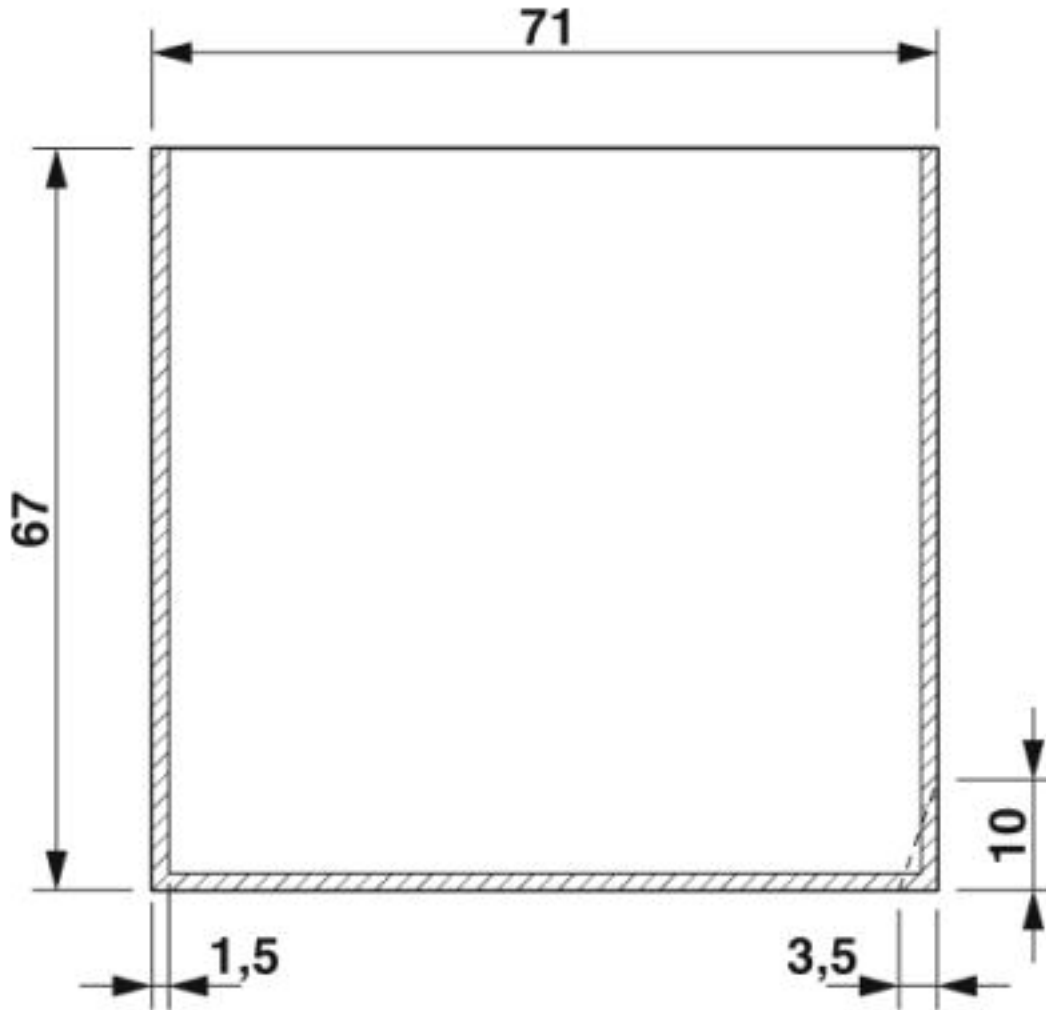
# Mounting base housing - EG 67,5-G/ABS GN - 2764292

Dimensional drawing



# Mounting base housing - EG 67,5-G/ABS GN - 2764292

Dimensional drawing



valid for PCB 9, see explosion drawing

## Classifications

eCl@ss

eCl@ss 10.0.1	27182702
eCl@ss 4.0	27180400
eCl@ss 4.1	27180400
eCl@ss 5.0	27180500
eCl@ss 5.1	27180500
eCl@ss 6.0	27180800

# Mounting base housing - EG 67,5-G/ABS GN - 2764292

## Classifications

### eCl@ss

eCl@ss 7.0	27182702
eCl@ss 8.0	27182702
eCl@ss 9.0	27182702

### ETIM

ETIM 2.0	EC001031
ETIM 3.0	EC001031
ETIM 4.0	EC001031
ETIM 5.0	EC001031
ETIM 6.0	EC001031
ETIM 7.0	EC001031

### UNSPSC

UNSPSC 6.01	31261501
UNSPSC 7.0901	31261501
UNSPSC 11	31261501
UNSPSC 12.01	31261501
UNSPSC 13.2	31261501
UNSPSC 18.0	31261501
UNSPSC 19.0	31261501
UNSPSC 20.0	31261501
UNSPSC 21.0	31261501

## Approvals

### Approvals

---

Approvals

UL Recognized / EAC

---

Ex Approvals

---

### Approval details

UL Recognized		<a href="http://database.ul.com/cgi-bin/XYV/template/LISEXT/1FRAME/index.htm">http://database.ul.com/cgi-bin/XYV/template/LISEXT/1FRAME/index.htm</a>	FILE E 240868
---------------	---	---	---------------

# Mounting base housing - EG 67,5-G/ABS GN - 2764292

## Approvals

EAC		B.01687
-----	---	---------

## Accessories

### Accessories

#### Coding element

Coding section - CR-MSTB - 1734401

Coding section, inserted into the recess in the header or the inverted plug, red insulating material



Coding profile - CP-MSTB - 1734634

Coding profile, is inserted into the slot on the plug or inverted header, red insulating material



Coding section - CR-MSTB - 1734401

Coding section, inserted into the recess in the header or the inverted plug, red insulating material



Coding profile - CP-MSTB - 1734634

Coding profile, is inserted into the slot on the plug or inverted header, red insulating material



## PCB plug

## Mounting base housing - EG 67,5-G/ABS GN - 2764292

### Accessories

#### Printed-circuit board connector - MVSTBW 2,5/ 9-ST - 1792595



PCB connector, nominal current: 12 A, rated voltage (III/2): 320 V, nominal cross section: 2.5 mm<sup>2</sup>, number of positions: 9, pitch: 5 mm, connection method: Screw connection with tension sleeve, color: green, contact surface: Tin

---

#### Printed-circuit board connector - MVSTBW 2,5/13-ST - 1792634



PCB connector, nominal current: 12 A, rated voltage (III/2): 320 V, nominal cross section: 2.5 mm<sup>2</sup>, number of positions: 13, pitch: 5 mm, connection method: Screw connection with tension sleeve, color: green, contact surface: Tin

---

#### Printed-circuit board connector - MVSTBW 2,5/ 4-STEHL - 1784299



PCB connector, nominal current: 12 A, rated voltage (III/2): 320 V, nominal cross section: 2.5 mm<sup>2</sup>, number of positions: 4, pitch: 5 mm, connection method: Screw connection with tension sleeve, color: green, contact surface: Tin

---

#### Plug - MVSTBW 2,5/ 9-STEHL - 1763401



PCB connector, nominal current: 12 A, rated voltage (III/2): 320 V, nominal cross section: 2.5 mm<sup>2</sup>, number of positions: 9, pitch: 5 mm, connection method: Screw connection with tension sleeve, color: green, contact surface: Tin

---

#### Printed-circuit board connector - FKCT 2,5/13-ST - 1909320



PCB connector, nominal current: 12 A, rated voltage (III/2): 320 V, nominal cross section: 2.5 mm<sup>2</sup>, number of positions: 13, pitch: 5 mm, connection method: Push-in spring connection, color: green, contact surface: Tin

## Mounting base housing - EG 67,5-G/ABS GN - 2764292

### Accessories

Printed-circuit board connector - FKCT 2,5/13-ST-5,08 - 1902220



PCB connector, nominal current: 12 A, rated voltage (III/2): 320 V, nominal cross section: 2.5 mm<sup>2</sup>, number of positions: 13, pitch: 5.08 mm, connection method: Push-in spring connection, color: green, contact surface: Tin

---

### Printed circuit board terminal

PCB terminal block base - MKKDSH 3/ 2 - 1721045



PCB terminal block, nominal current: 24 A, rated voltage (III/2): 400 V, nominal cross section: 2.5 mm<sup>2</sup>, pitch: 5 mm, number of positions: 2, connection method: Screw connection with tension sleeve, mounting: Wave soldering, conductor/PCB connection direction: 0 °, color: green, Pin layout: Linear pinning, Solder pin [P]: 5 mm. The article can be aligned to create different nos. of positions!

---

PCB terminal block - MKKDSH 3/ 3 - 1721346



PCB terminal block, nominal current: 24 A, rated voltage (III/2): 400 V, nominal cross section: 2.5 mm<sup>2</sup>, pitch: 5 mm, number of positions: 3, connection method: Screw connection with tension sleeve, mounting: Wave soldering, conductor/PCB connection direction: 0 °, color: green, Pin layout: Linear pinning, Solder pin [P]: 5 mm. The article can be aligned to create different nos. of positions!

---

PCB terminal block base - MKKDSH 3/ 8 - 1703283



PCB terminal block, nominal current: 24 A, rated voltage (III/2): 400 V, nominal cross section: 2.5 mm<sup>2</sup>, pitch: 5 mm, number of positions: 8, connection method: Screw connection with tension sleeve, mounting: Wave soldering, conductor/PCB connection direction: 0 °, color: green, Pin layout: Linear pinning, Solder pin [P]: 5 mm. The article can be aligned to create different nos. of positions!

---

### Necessary add-on products

Electronic housing - EG 67,5-AE/ABS GN - 2907347



Housing cover, for connection on one side

## Mounting base housing - EG 67,5-G/ABS GN - 2764292

### Accessories

---

Upper part of housing - EG 67,5-A/ABS GN - 2764357



Housing cover, for connection on both sides

---

Upper part of housing - EG 67,5-AG/ABS GN - 2907376



Housing cover, closed