

Electronic housing - UEGM 22,5 GY OHNE LOGO - 2792837


Please be informed that the data shown in this PDF Document is generated from our Online Catalog. Please find the complete data in the user's documentation. Our General Terms of Use for Downloads are valid (<http://phoenixcontact.com/download>)



Electronic housing, for PCB insertion, fully equipped with 3 screw or 6 tab connections per side

The figure shows a green version

Key Commercial Data

Packing unit	1 pc
Minimum order quantity	10 pc
GTIN	 4 017918 274610
GTIN	4017918274610
Weight per Piece (excluding packing)	55.580 g
Custom tariff number	85369010
Country of origin	Germany

Technical data

General

Housing type	Component housing
Housing material	Polyamide (PA 6.6)
Color (RAL)	gray

Ambient conditions

Ambient temperature (operation)	-40 °C ... 105 °C
---------------------------------	-------------------

Dimensions

Length	79 mm
Width	22.5 mm

Electronic housing - UEGM 22,5 GY OHNE LOGO - 2792837

Technical data

Technical data

Number of positions	6
---------------------	---

Standards and Regulations

Flammability rating according to UL 94	V2
--	----

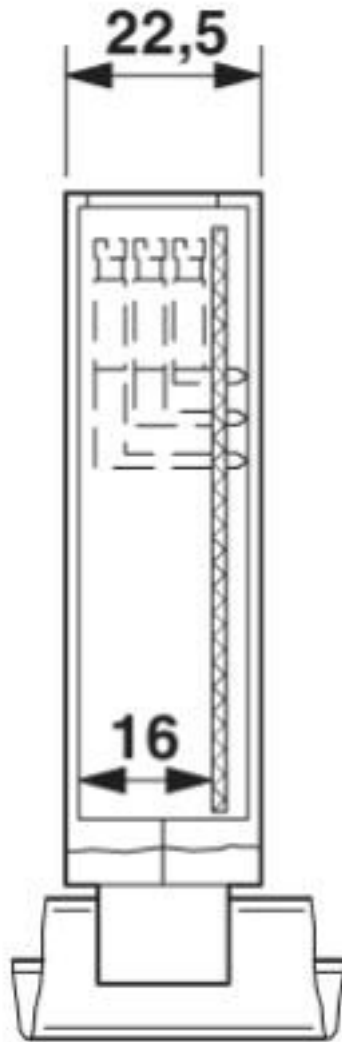
Environmental Product Compliance

REACH SVHC	Lead 7439-92-1
China RoHS	Environmentally Friendly Use Period = 50 years
	For details about hazardous substances go to tab "Downloads", Category "Manufacturer's declaration"

Drawings

Electronic housing - UEGM 22,5 GY OHNE LOGO - 2792837

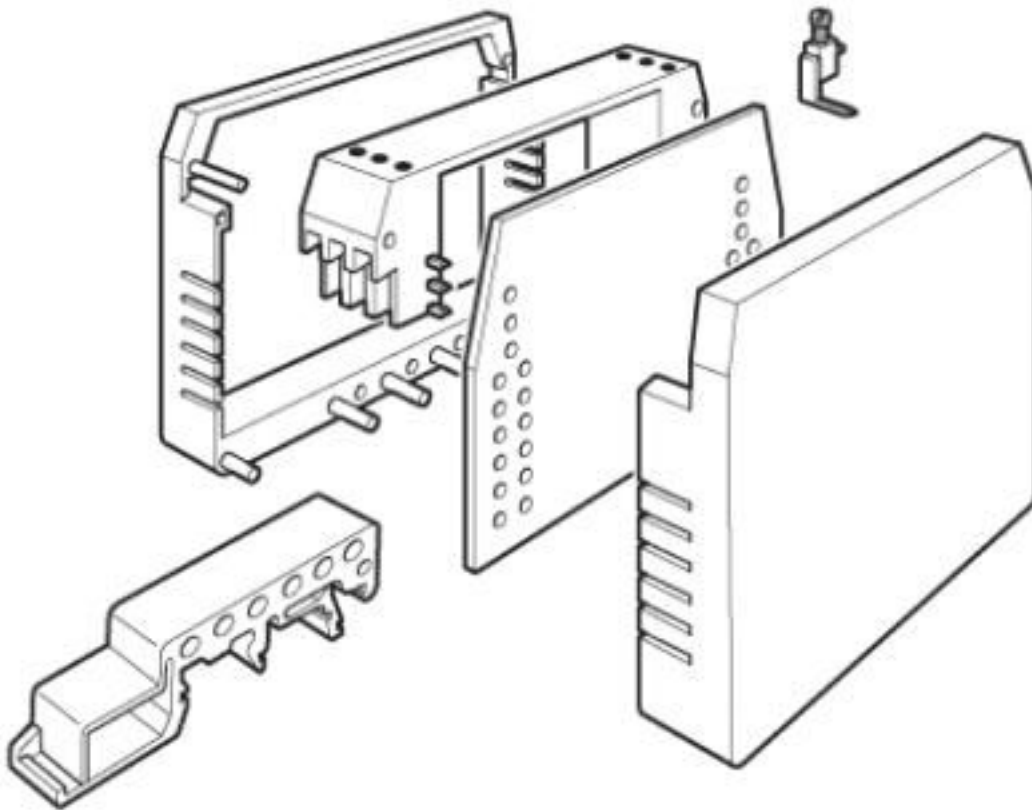
Dimensional drawing



UEGM 22,5... with 1 PCB, 6 positions or 12 positions (FS/FS)

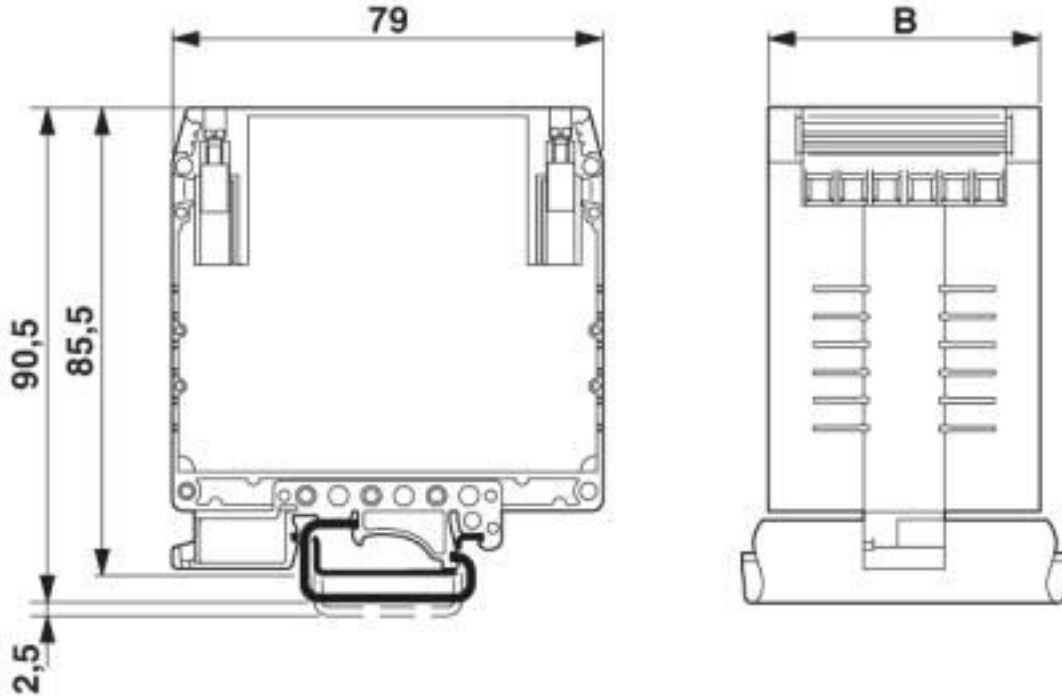
Electronic housing - UEGM 22,5 GY OHNE LOGO - 2792837

Exploded view



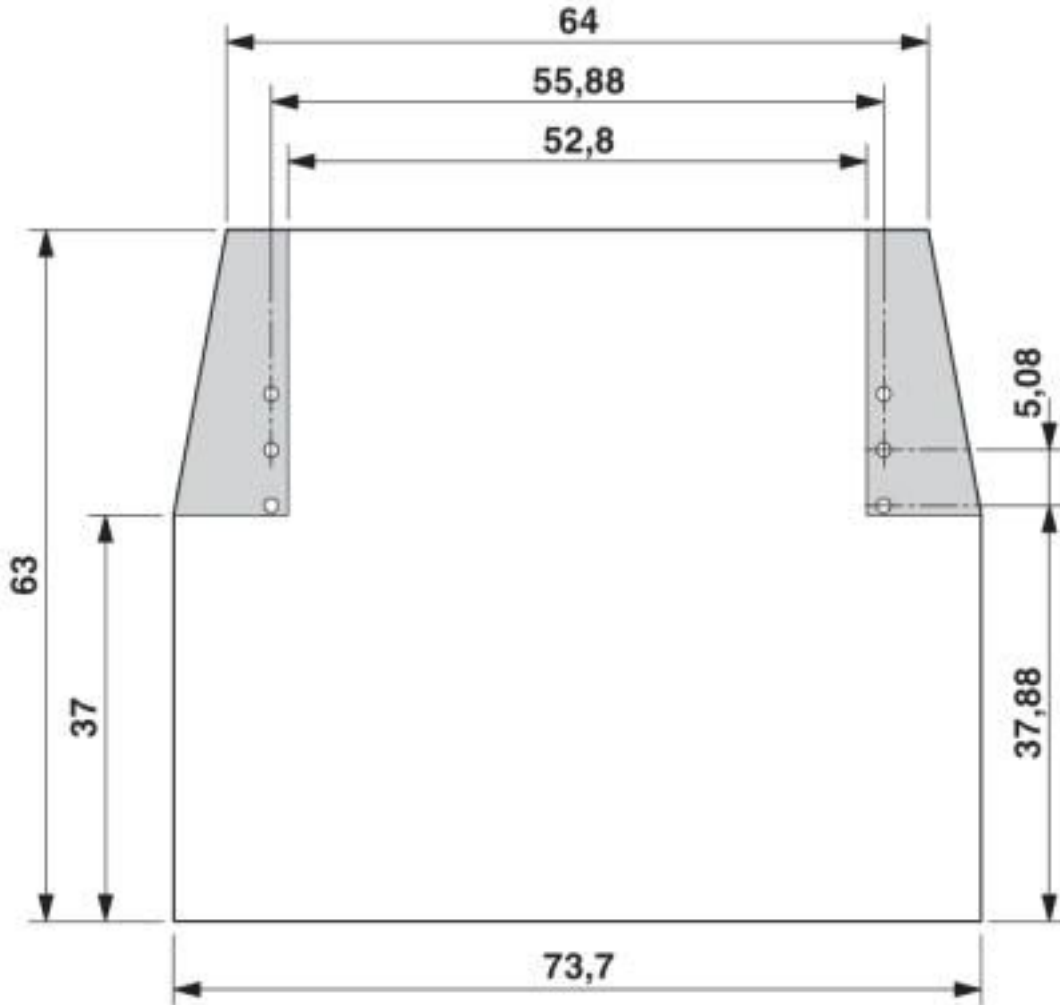
Electronic housing - UEGM 22,5 GY OHNE LOGO - 2792837

Dimensional drawing



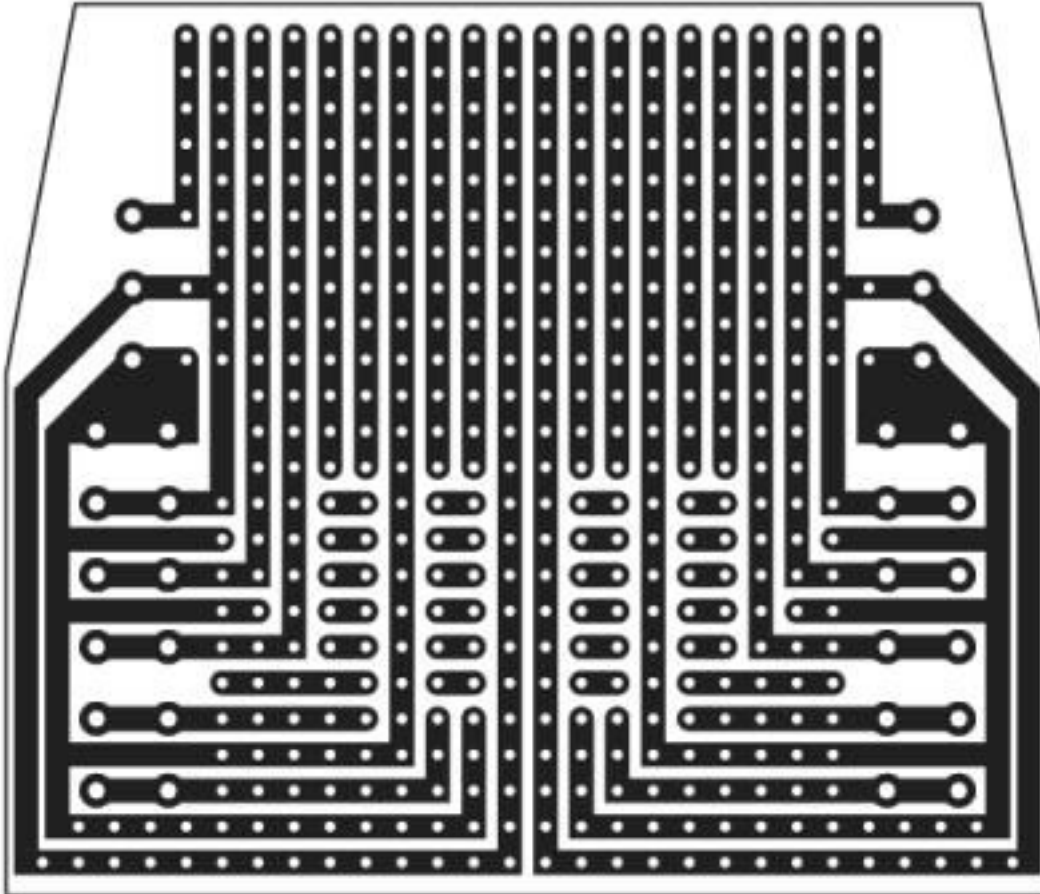
Electronic housing - UEGM 22,5 GY OHNE LOGO - 2792837

Dimensional drawing



Electronic housing - UEGM 22,5 GY OHNE LOGO - 2792837

Schematic diagram



Classifications

eCl@ss

eCl@ss 10.0.1	27182702
eCl@ss 4.0	27180400
eCl@ss 4.1	27180400
eCl@ss 5.0	27180500
eCl@ss 5.1	27180500
eCl@ss 6.0	27180800
eCl@ss 7.0	27182702
eCl@ss 8.0	27182702
eCl@ss 9.0	27182702

Electronic housing - UEGM 22,5 GY OHNE LOGO - 2792837

Classifications

ETIM

ETIM 2.0	EC001031
ETIM 3.0	EC001031
ETIM 4.0	EC001031
ETIM 5.0	EC001031
ETIM 6.0	EC001031
ETIM 7.0	EC001031

UNSPSC

UNSPSC 6.01	31261501
UNSPSC 7.0901	31261501
UNSPSC 11	31261501
UNSPSC 12.01	31261501
UNSPSC 13.2	31261501
UNSPSC 18.0	31261501
UNSPSC 19.0	31261501
UNSPSC 20.0	31261501
UNSPSC 21.0	31261501

Approvals

Approvals

Approvals

EAC / UL Recognized

Ex Approvals

Approval details

EAC		B.01687
-----	--	---------

UL Recognized		http://database.ul.com/cgi-bin/XYV/template/LISEXT/1FRAME/index.htm	FILE E 240868
---------------	--	---	---------------

Electronic housing - UEGM 22,5 GY OHNE LOGO - 2792837

Accessories

Accessories

Bridge

Wire bridge - DB 50- 90 BK - 2820916

Wire bridge, color: black



Wire bridge - DB 50- 90 GY - 2820929



Insulating sleeve

Insulating sleeve - PT/FS 6,3 - 0604707



Insulating sleeve, as touch protection, slide onto the conductor before for 6.3 slip-on sleeves

Insulating sleeve - PT/FS 2,8 - 1406700



Insulating sleeve, as touch protection, slide onto the conductor before for 2.8 slip-on sleeves

PCB

Electronic housing - UEGM 22,5 GY OHNE LOGO - 2792837

Accessories

PCB - P 1-UEGM - 2792109

PCB, for screw and slip-on connection, for custom fitting electronic components.



Terminal marking

Zack marker strip - ZB 5 :UNBEDRUCKT - 1050004



Zack marker strip, Strip, white, unlabeled, can be labeled with: PLOTMARK, CMS-P1-PLOTTER, mounting type: snap into tall marker groove, for terminal block width: 5.2 mm, lettering field size: 5.1 x 10.5 mm, Number of individual labels: 10

Electronic housing - UEG-MT-FS - 2790389

Metal part for slip-on connection, to increase the number of positions.

