

Thermomagnetic device circuit breaker - CB TM1 16A M1 P - 2800856

Please be informed that the data shown in this PDF Document is generated from our Online Catalog. Please find the complete data in the user's documentation. Our General Terms of Use for Downloads are valid (<http://phoenixcontact.com/download>)



Thermomagnetic device circuit breaker, 1-pos., tripping characteristic M1 (medium-blow), 1 PDT contact, plug for base element.

The figure shows the CB TM1 0.5A M1 P version

Product Features

- ✓ Compact design with precise nominal current levels
- ✓ Modular expansion possible thanks to the uniform, plug-in housing concept
- ✓ Sophisticated remote signaling concept enables monitoring from any location
- ✓ Protect 230/240 V AC power supply systems with the M1 characteristic curve (based on the C characteristic)
- ✓ Supply/remote signaling can be bridged with CLIPLINE complete accessories



Key Commercial Data

| | |
|--------------------------------------|----------|
| Packing unit | 1 pc |
| Weight per Piece (excluding packing) | 40.0 g |
| Custom tariff number | 85362010 |
| Country of origin | Germany |

Technical data

Dimensions

| | |
|------------------------|---------|
| Height | 45 mm |
| Width | 12.3 mm |
| Depth | 52 mm |
| Complete module height | 90 mm |
| Complete module width | 12.3 mm |
| Complete module depth | 77.3 mm |

Ambient conditions

| | |
|---------------------------------|------------------|
| Ambient temperature (operation) | -30 °C ... 60 °C |
|---------------------------------|------------------|

Thermomagnetic device circuit breaker - CB TM1 16A M1 P - 2800856

Technical data

Ambient conditions

| | |
|---|--|
| Ambient temperature (storage/transport) | -40 °C ... 80 °C |
| Humidity test | 240 h, 95% RH, 40°C |
| Shock (operation) | 30g (According to IEC 60068-2-27, Test Ea) |
| Degree of protection | IP30 (Actuation area) |

General

| | |
|--|---|
| Installation instructions | When mounted in rows, the nominal device current can be limited to just 80% or must be overdimensioned accordingly. |
| Flammability rating according to UL 94 | V0 |
| Mounting type | On base element |
| Color | gray |
| Number of positions | 1 |
| Insulating material group | II |
| Pollution degree | 2 |
| Type | Male |

Electrical data

| | |
|---|--|
| Fuse type | normal blow |
| Rated surge voltage | 2.5 kV (Increased insulation in actuation area) |
| Rated voltage | 240 V AC (U _e according to IEC 60934) |
| | 277 V AC (UL 1077) |
| | 277 V AC (UL 508 - with plug-in base) |
| | 50 V DC (IEC 60934) |
| | 50 V DC (UL 1077) |
| | 50 V DC (UL 508 - with plug-in base) |
| Rated current I _N | 16 A (IEC 60934) |
| | 16 A AC (inductive load according to UL 1077) |
| | 16 A DC (low-induction load according to UL 1077) |
| | 16 A DC (low-induction load according to UL 508 - with plug-in base) |
| Rated insulation voltage U _i | 277 V AC (UL 1077) |
| | 250 V AC (IEC 60934) |
| Switch-on delay | typ. 2 ms |
| Required backup fuse | 64 A |
| Contact type | 1 PDT |
| Power dissipation | 5.12 W (in nominal operation per channel) |
| Insulation resistance R _{iso} | > 100 MΩ (500 V DC) |
| Type of actuation | S type |
| Tripping method | TM (thermomagnetic) |

Thermomagnetic device circuit breaker - CB TM1 16A M1 P - 2800856

Technical data

Electrical data

| | |
|---|--|
| Tripping level | Trip-free mechanism (positive) |
| Rated short-circuit switching capacity I_{cn} | 300 A (240 V AC) |
| | 600 A (50 V DC) |
| Short-circuit switching capacity I_k | 1000 A AC 277 V AC |
| | 1000 A DC 50 V DC |
| Dielectric strength | 3000 V AC (Actuation area) |
| | 1500 V AC (Main to auxiliary circuit) |
| | 1500 V AC (Open main circuit) |
| | 1000 V AC (Open auxiliary circuit) |
| Voltage drop | 0.13 V (at 1 x I_n) |
| Switching cycles, max. | 6000 (at 1 x I_n) |
| Contact type | 1 PDT |
| Auxiliary circuit | 277 V AC / 0.5 A (Low-induction) |
| | 277 V AC / 1 A (Low-induction, maximum of 2000 cycles) |
| | 50 V DC / 1 A (Low-induction) |
| Minimum auxiliary contact operating voltage | 10 V |
| Maximum auxiliary contact operating voltage | 240 V |
| | 240 V |
| Minimum auxiliary contact operating current | 10 mA |
| Maximum auxiliary contact operating current | 1 A |
| Vibration resistance, frequency | 57 Hz ... 500 Hz |
| Vibration resistance, amplitude | ± 0.61 mm (10 - 57 Hz) |
| Vibration resistance, acceleration | 80 m/s ² |
| Vibration resistance, test duration | 10 (Frequency cycles/axis) |

Standards and Regulations

| | |
|--------------------------|----------------------------|
| Standards/specifications | EN 60934 |
| | UL 1077 UL/C-UL recognized |
| | UL 508 UL/C - UL listed |
| | CSA 22.2 No. 235-041 |

Classifications

eCl@ss

| | |
|------------|----------|
| eCl@ss 4.0 | 27141116 |
| eCl@ss 4.1 | 27141116 |
| eCl@ss 5.0 | 27141116 |

Thermomagnetic device circuit breaker - CB TM1 16A M1 P - 2800856

Classifications

eCl@ss

| | |
|------------|----------|
| eCl@ss 5.1 | 27141116 |
| eCl@ss 6.0 | 27141116 |
| eCl@ss 7.0 | 27141116 |
| eCl@ss 8.0 | 27141116 |

ETIM

| | |
|----------|----------|
| ETIM 3.0 | EC000899 |
| ETIM 4.0 | EC000899 |
| ETIM 5.0 | EC000899 |

UNSPSC

| | |
|---------------|----------|
| UNSPSC 6.01 | 30211812 |
| UNSPSC 7.0901 | 39121411 |
| UNSPSC 11 | 39121411 |
| UNSPSC 12.01 | 39121411 |
| UNSPSC 13.2 | 39121411 |

Approvals

Approvals

Approvals

VDE Zeichengenehmigung / UL Recognized / cUL Recognized / GL / UL Listed / cUL Listed / EAC / CSA / cULus Recognized / cULus Listed

Ex Approvals

Approvals submitted

Approval details

| |
|------------------------|
| VDE Zeichengenehmigung |
|------------------------|

Thermomagnetic device circuit breaker - CB TM1 16A M1 P - 2800856

Approvals

UL Recognized 

cUL Recognized 

GL


UL Listed 

cUL Listed 

EAC

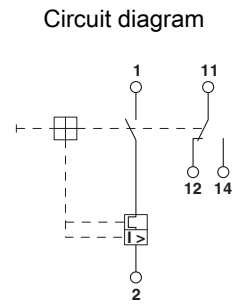
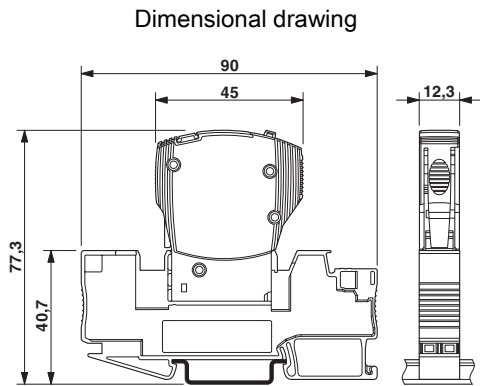
CSA

cULus Recognized 

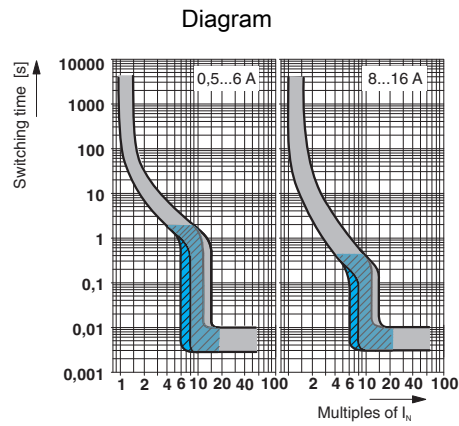
cULus Listed 

Drawings

Thermomagnetic device circuit breaker - CB TM1 16A M1 P - 2800856



The figure shows the complete module consisting of a base element and connector



Trigger characteristic
Gray: DC range, blue: AC range

Thermomagnetic device circuit breaker - CB TM1 16A M1 P - 2800856

Application drawing

